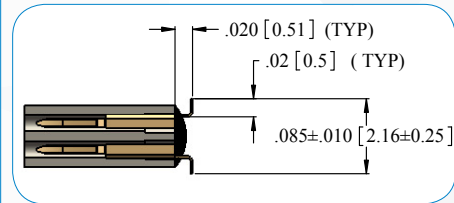
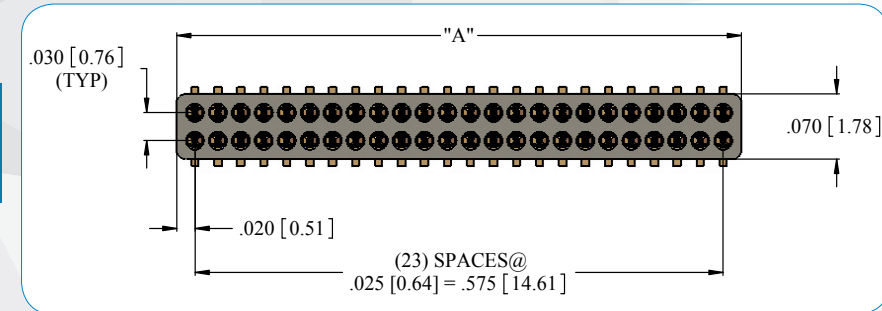
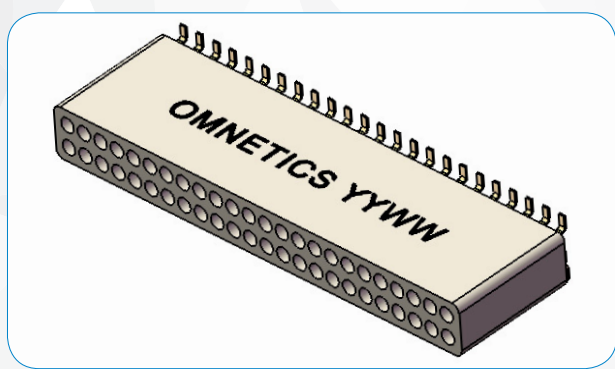
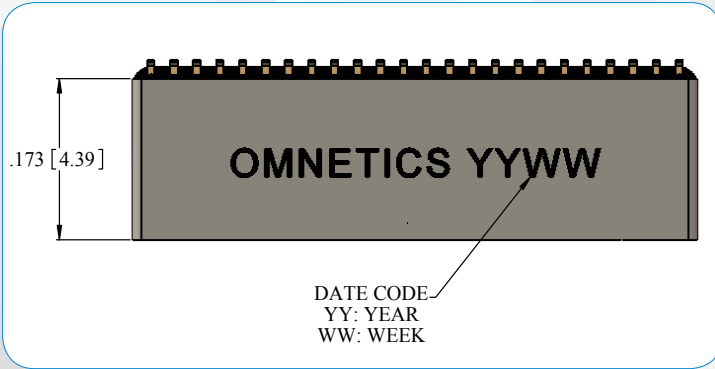
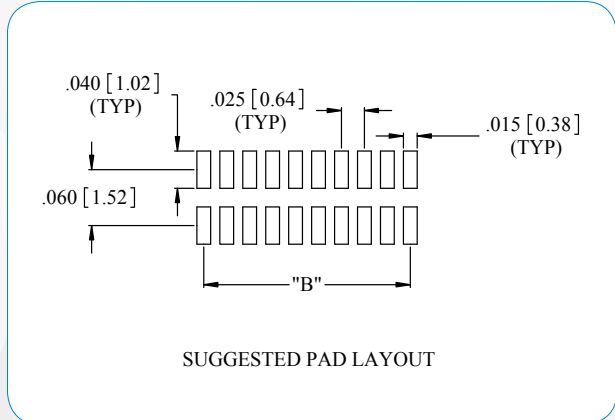
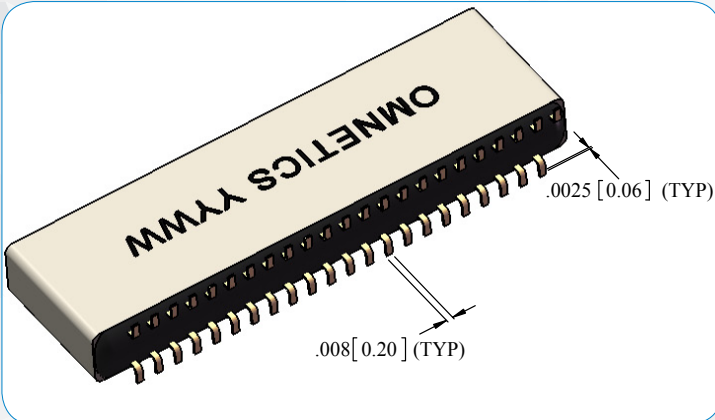


Dual Row Nano Strip

NPD-VV LAYOUT



126

DIMENSIONS FOR "A"

To determine connector length "A":

Add the total number of contacts in one row	_____
Add 1 contact cavity for each guide post hole in the same row	_____
Total contact cavities in a single row	_____
Multiply the number of contact cavities minus 1 by .025"	_____
Add fixed end length constant	.040"
Total Length (Dimension A)	_____

Notes: Maximum length .615" (15.62). Maximum number of contact cavities is 80. Number of contacts must be reduced to accommodate guide post holes. Default locations for guide post holes may be changed by customer.

DIMENSIONS FOR "B"

To determine pad pattern layout length "B":

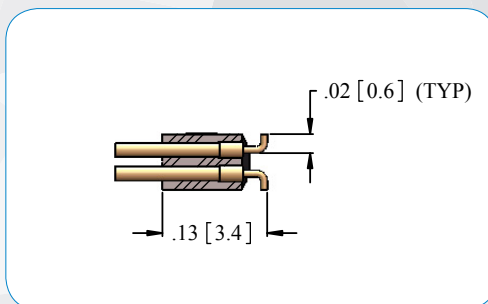
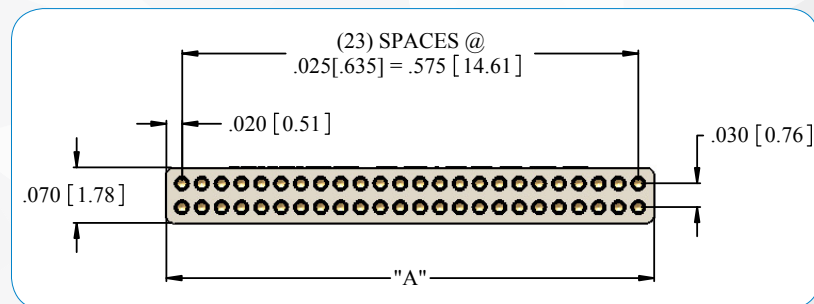
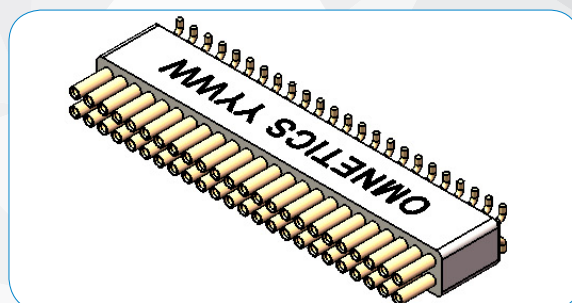
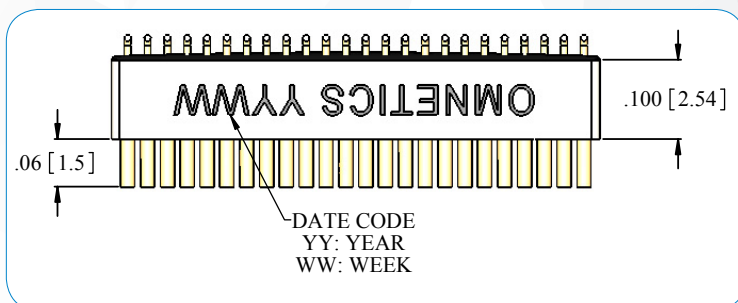
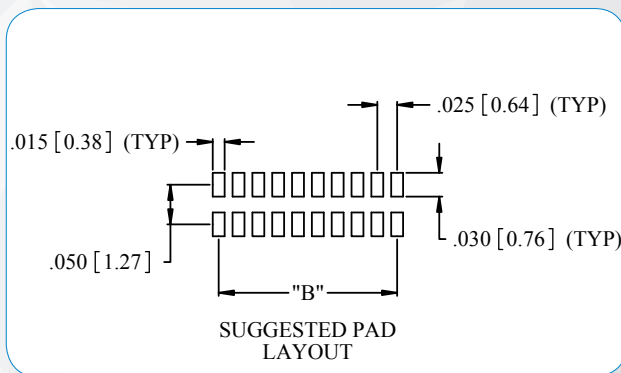
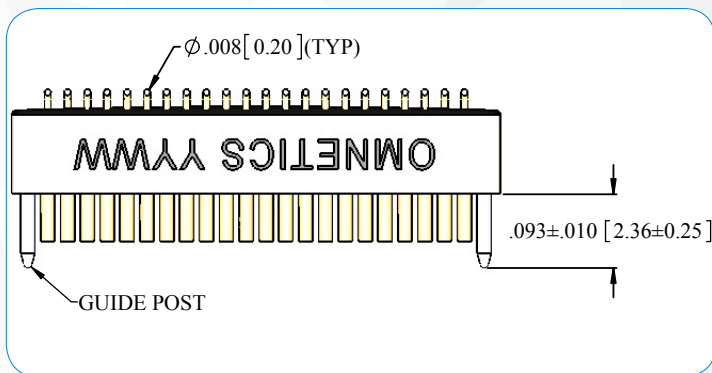
Multiply the number of contacts in one row minus 1 by .025"	_____
If hardware features are within the contact area:	
Add .025" for each guide post hole in the same row	_____
Total Length (Dimension B)	_____

Notes: Maximum length .575" (14.61). Maximum number of contact cavities is 80. Number of contacts must be reduced to accommodate guide post holes.

Dimensions in [] are in Millimeters unless otherwise noted and are for reference only.

Dual Row Nano Strip

NSD-VV LAYOUT



DIMENSIONS FOR "A"

To determine connector length "A":

Add the total number of contacts in one row	_____
Add 1 contact cavity for each guide post hole in the same row	_____
Total contact cavities in a single row	_____
Multiply the number of contact cavities minus 1 by .025"	_____
Add fixed end length constant	.040"
Total Length (Dimension A)	_____

Notes: Maximum length .615" (15.62). Maximum number of contact cavities is 80. Number of contacts must be reduced to accommodate guide post holes. Default locations for guide post holes may be changed by customer.

DIMENSIONS FOR "B"

To determine pad pattern layout length "B":

Multiply the total number of contacts in one row minus 1 by .025"	_____
If hardware features are within the contact area:	
Add .025" for each guide post hole in the same row	_____
Total Length (Dimension B)	_____

Notes: Maximum length .575" (14.61). Maximum number of contact cavities is 80. Number of contacts must be reduced to accommodate guide post holes.

Dimensions in [] are in Millimeters unless otherwise noted and are for reference only.