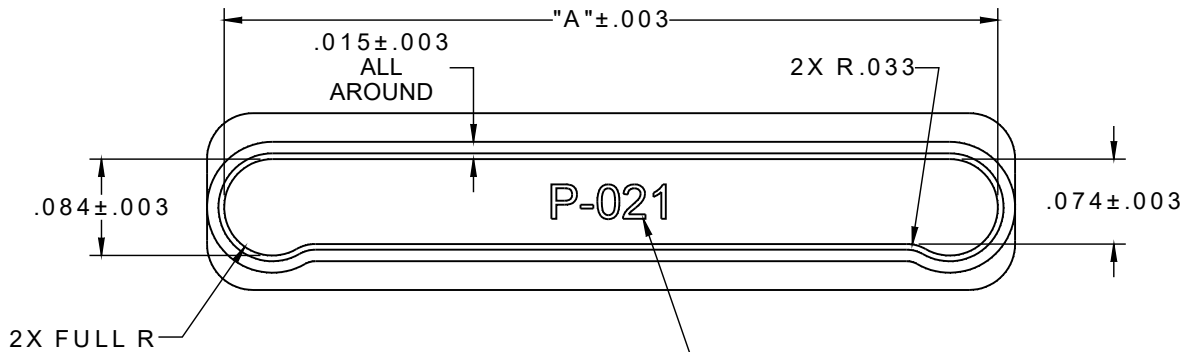
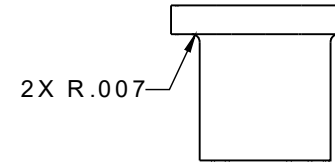
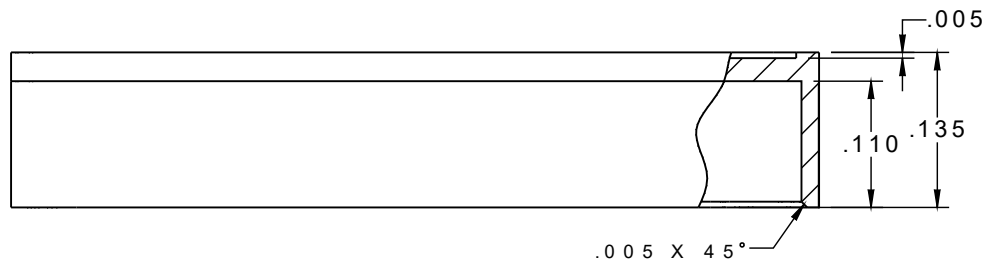
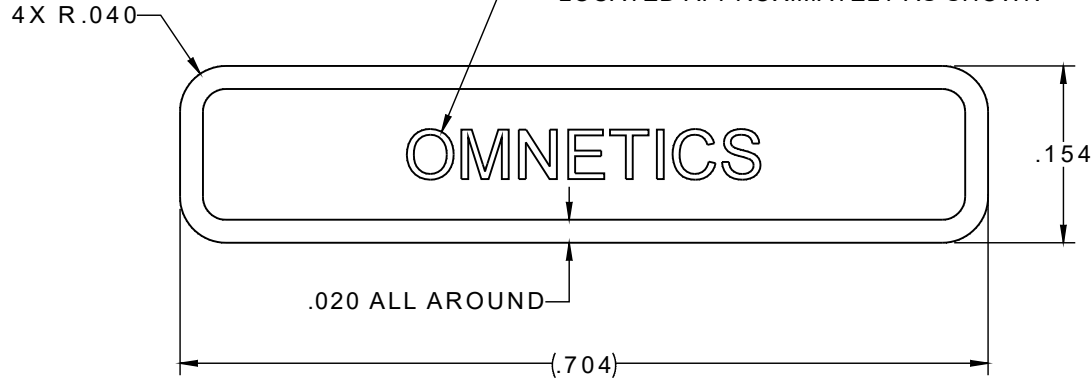


PART NO.	D6957-0XX	REV	ECO	DATE	APP
		A	98451	04-30-12	TLM

"OMNETICS"
 FONT: ARIAL FONT HEIGHT: .043
 RAISED: .003
 LOCATED APPROXIMATELY AS SHOWN



"ID" - SEE CHART
 FONT: ARIAL FONT HEIGHT: .043
 RAISED: .003
 LOCATED APPROXIMATELY AS SHOWN

PART NO.	"A"	"ID"
D6957-015	.424	P-015
D6957-025	.674	P-025

NOTE:

MATERIAL: CONDUCTIVE
 POLYETHYLENE THA MEET THE
 ANTI-STATIC DECAY RATE
 REQUIRMENT OF MIL-PRF-
 81705D

COLOR: BLACK

AS/DW	THIRD ANGLE
	-TOLERANCES-
	UNLESS OTHERWISE NOTED
	DIMENSIONS IN INCHES
2	PL DEC ± .01
3	PL DEC ± .005
4	PL DEC ± .0005
	ANGLES ± 1°

THIS DRAWING CONTAINS CONFIDENTIAL AND PROPRIETARY INFORMATION WHICH IS THE PROPERTY OF OMNETICS CONNECTOR CORP. THIS DOCUMENT MAY NOT, IN WHOLE OR IN PART, BE DUPLICATED, OR DISCLOSED FOR ANY PURPOSE, WITHOUT WRITTEN PERMISSION FROM OMNETICS CONNECTOR CORP.	
DFTM. MJM	DATE 04-13-12
CHK'D.	DATE
APP'D.	DATE
TITLE: DUST CAP SR Bi-Lobe®, MALE BLACK, CONDUCTIVE	

OMNETICS
 CONNECTOR CORPORATION
 7260 COMMERCE CIRCLE EAST
 MINNEAPOLIS, MN 55432
 WWW.OMNETICS.COM

CAGE CODE 61873	
DWG NO. D6957-0XX	
SHEET 1 OF 1	REV A
SCALE: 6:1	