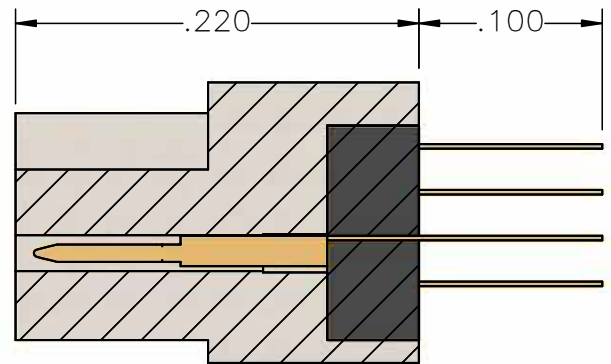
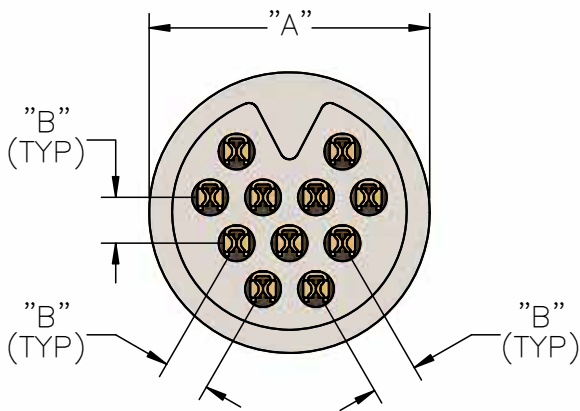
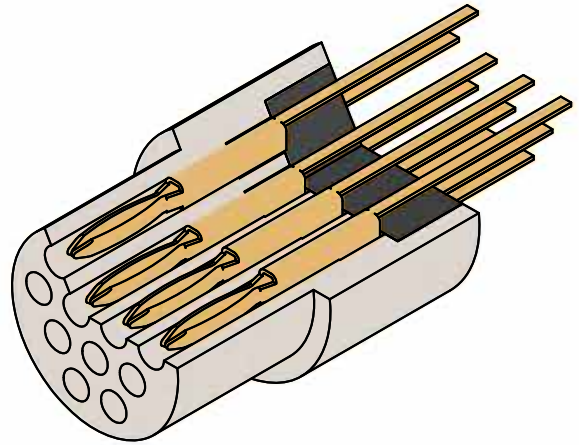
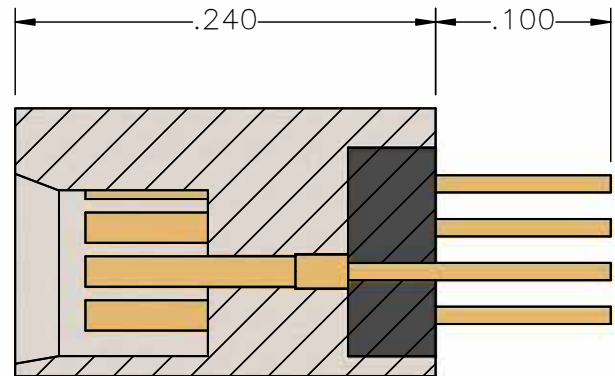
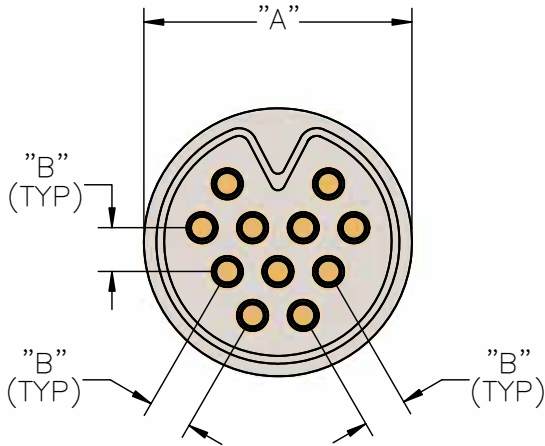
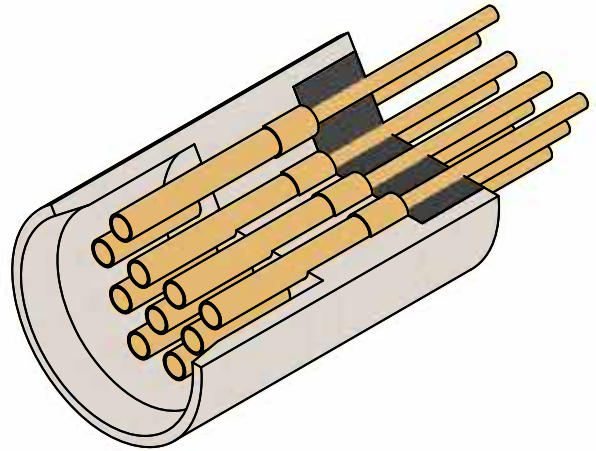
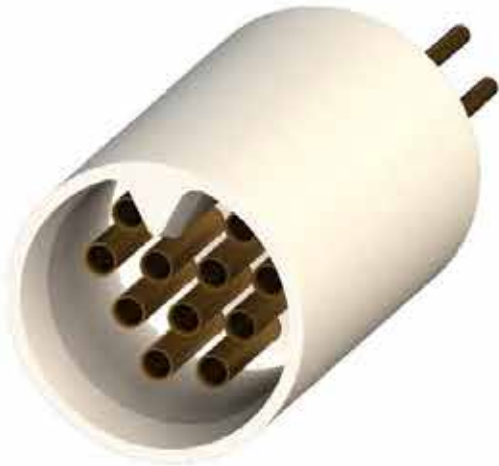


Plastic - Pin - Straight Tail NCP-DD



Part #	Contacts	English (IN)		Metric (MM)	
		A	B	A	B
A79108-001	6	0.122	0.025	3.10	0.64
A79110-001	11	0.153		3.89	
A79112-001	16	0.181		4.60	
A79114-001	28	0.217		5.51	
A79122-001	39	0.305	0.035	7.75	0.89

Plastic - Socket - Straight Tail NCS-DD



Part #	Contacts	English (IN)		Metric (MM)	
		A	B	A	B
A79109-001	6	0.122	0.025	3.10	0.64
A79111-001	11	0.153		3.89	
A79113-001	16	0.181		4.60	
A79115-001	28	0.217		5.51	
A79123-001	39	0.305	0.035	7.75	0.89