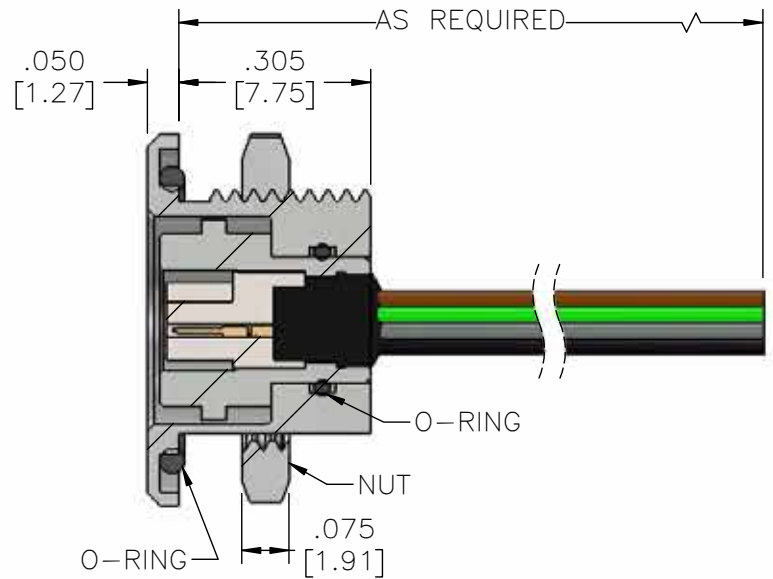
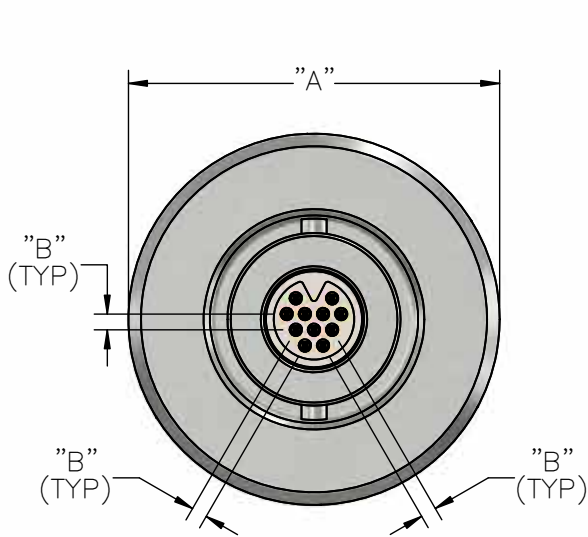
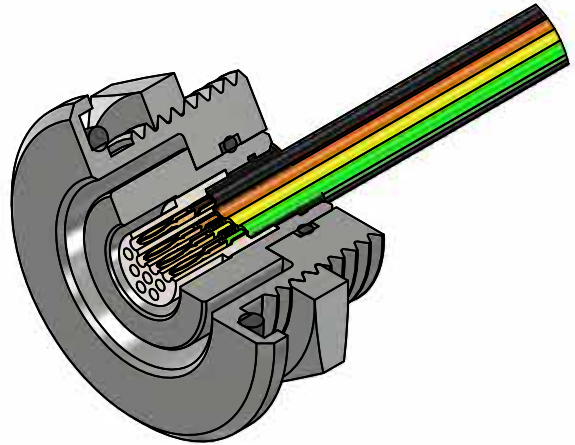


Metal - Pin - Twist-Lock - Wired - Front Panel - IP68

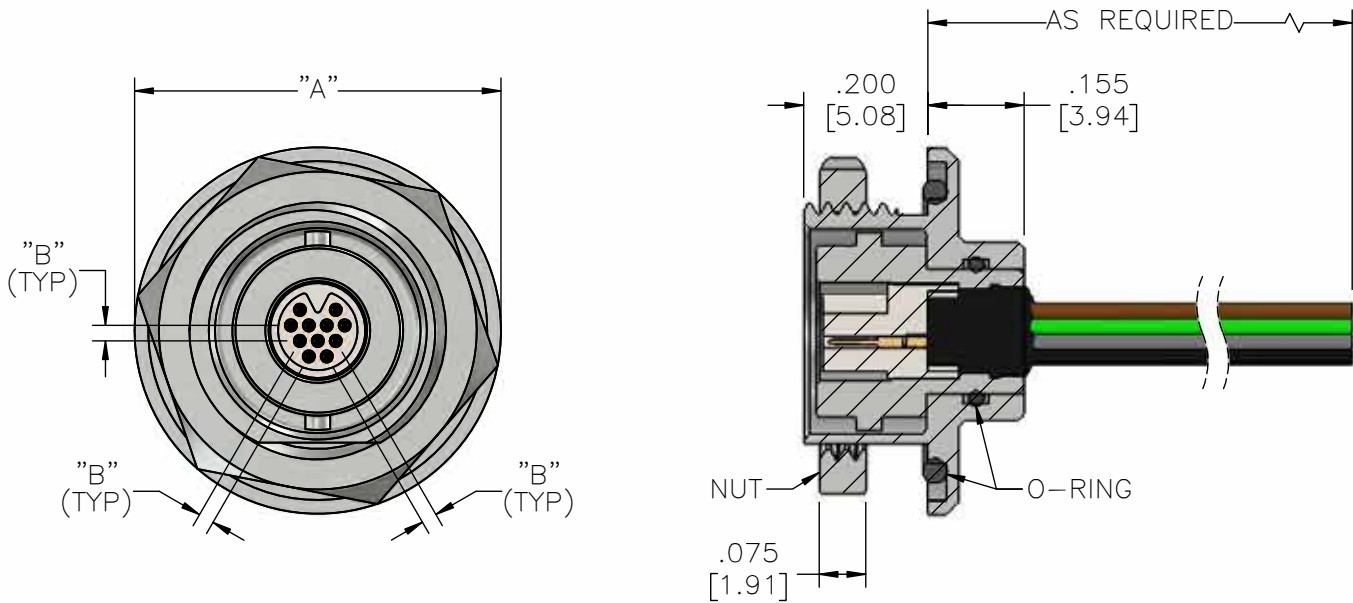
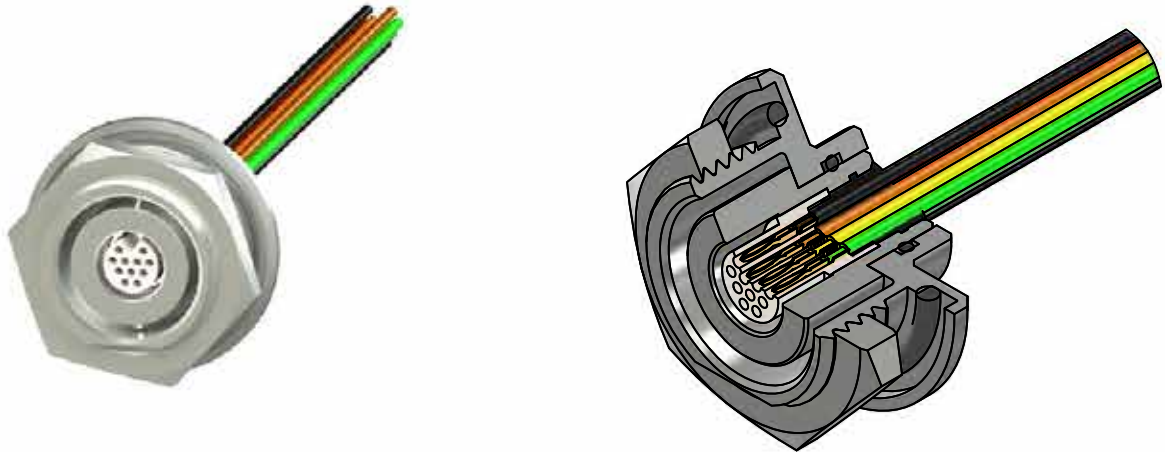
TNCP-WD-FP-IP68



Part #	Contacts	English (IN)		Metric (MM)	
		A	B	A	B
A79408-001	6	0.580	0.025	14.73	0.64
A79409-001	11	0.590		14.99	
A79410-001	16	0.625		15.88	
A79411-001	28	0.650		16.51	
A79496-001	39	0.775	0.030	19.69	0.76

Metal - Pin - Twist-Lock - Wired - Rear Panel - IP68

TNCP-WD-RP-IP68

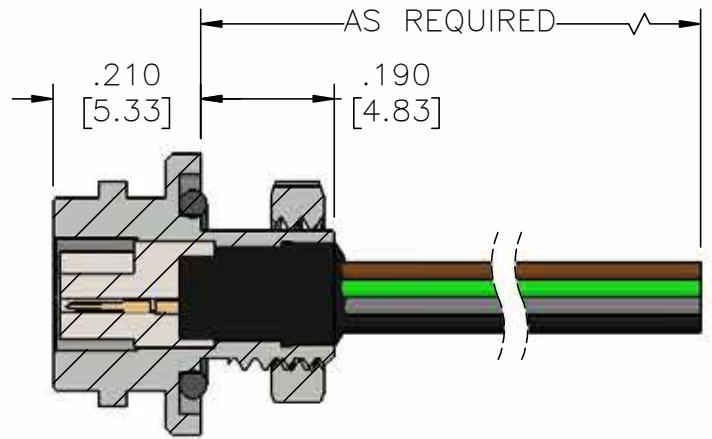
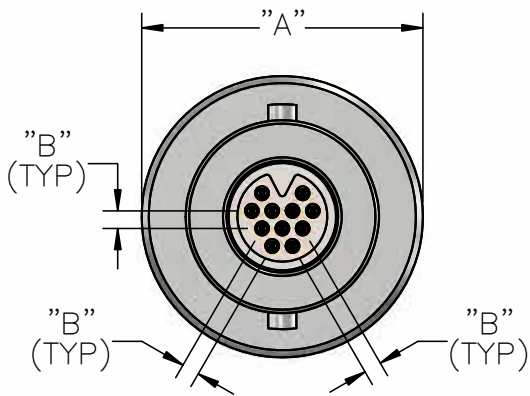
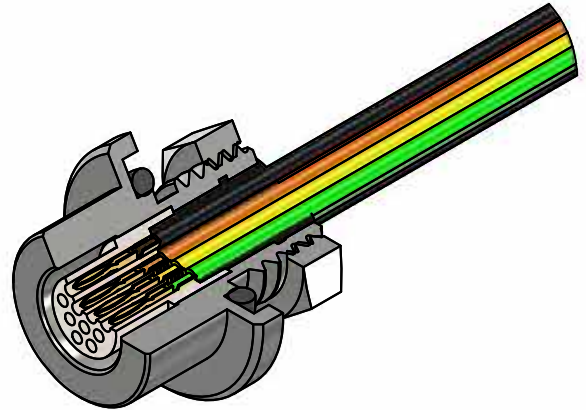


English (IN) Metric (MM)

Part #	Contacts	A	B	A	B
A79412-001	6	0.590	0.025	14.99	0.64
A79413-001	11				
A79414-001	16	0.625		15.88	
A79415-001	28	0.650		16.51	
A79497-001	39	0.775	0.030	19.69	0.76

Metal - Pin - Twist-Lock - Wired - Protruding Panel - IP68

TNCP-WD-PP-IP68



Part #	Contacts	English (IN)		Metric (MM)	
		A	B	A	B
A79240-001	6	0.330	0.025	8.38	0.64
A79245-001	11	0.400		10.16	
A79250-001	16	0.415		10.54	
A79255-001	28	0.460		11.68	
A79481-001	39	0.575	0.030	14.61	0.76