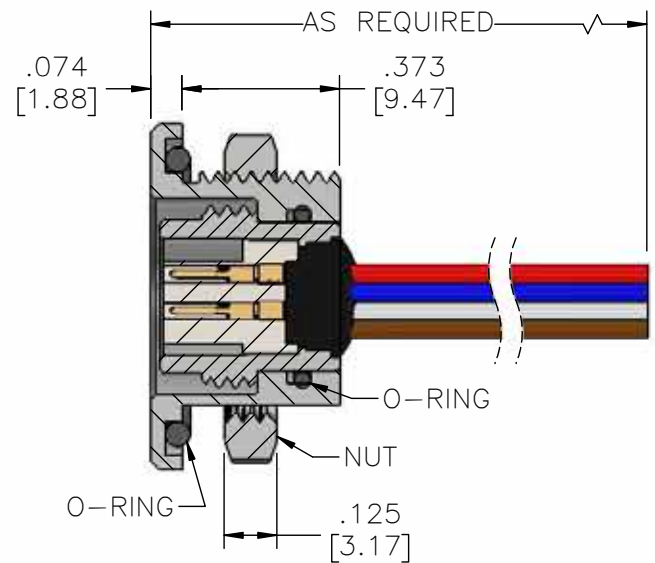
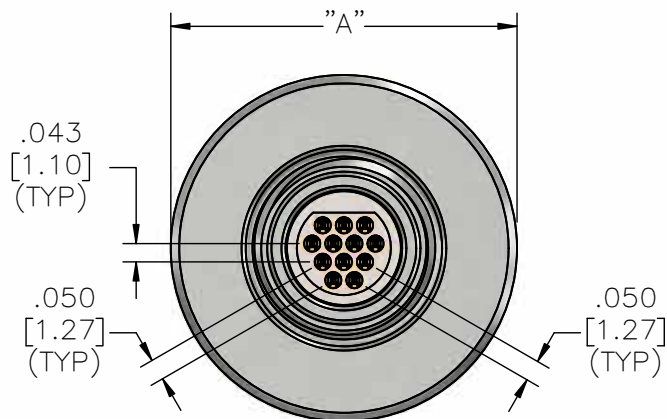
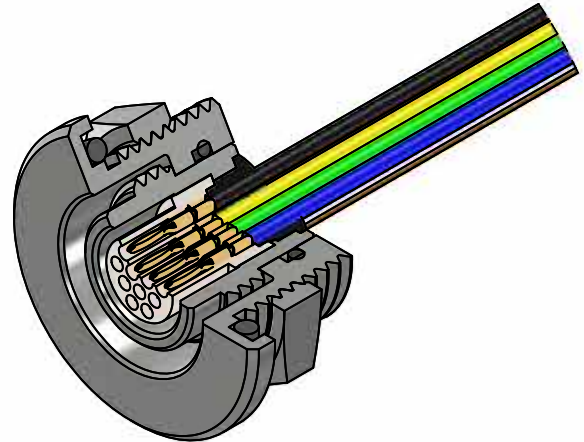
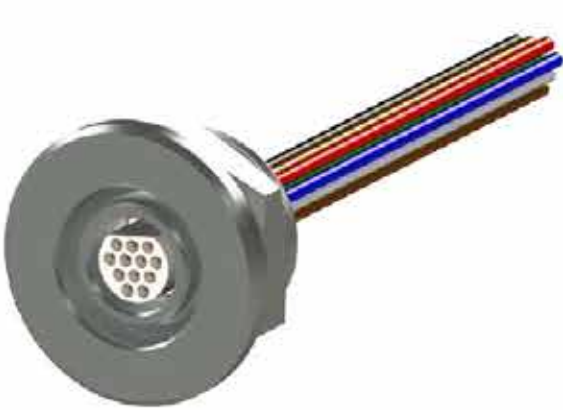


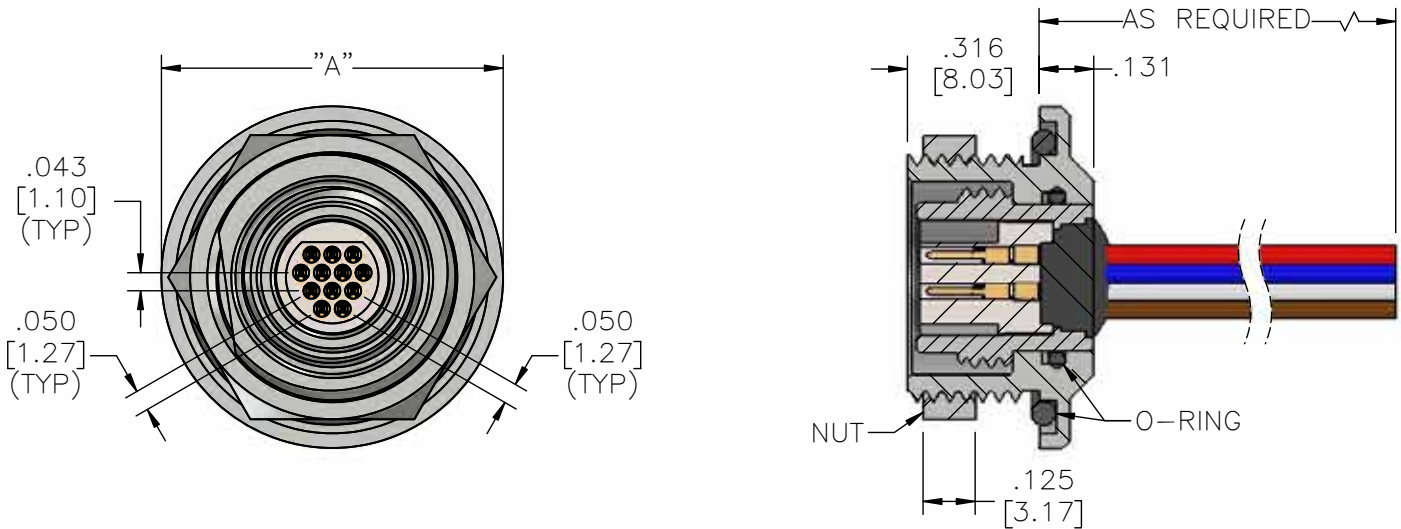
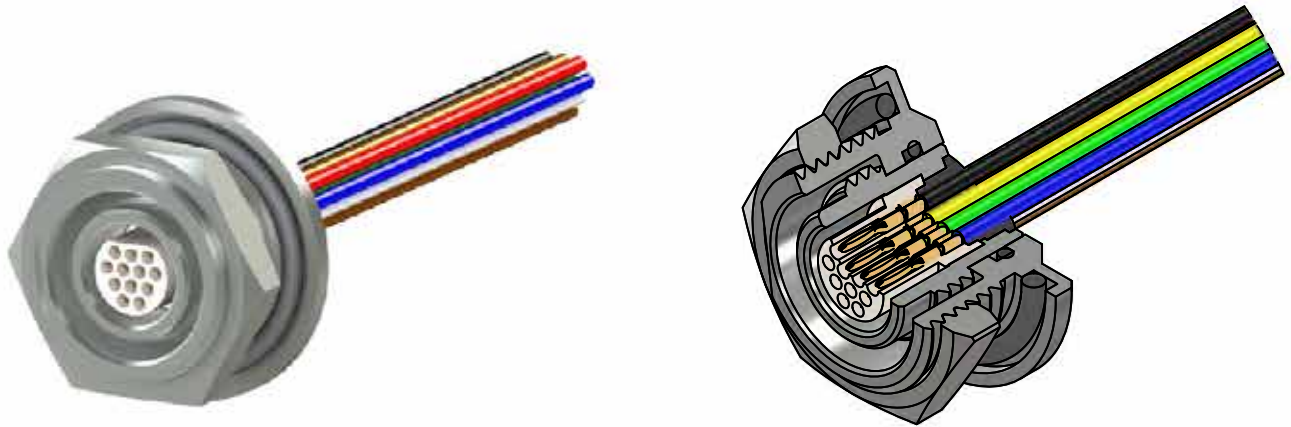
# Metal - Pin - Threaded - Wired - Front Panel MMCP-WD-FP



**English (IN)**    **Metric (MM)**

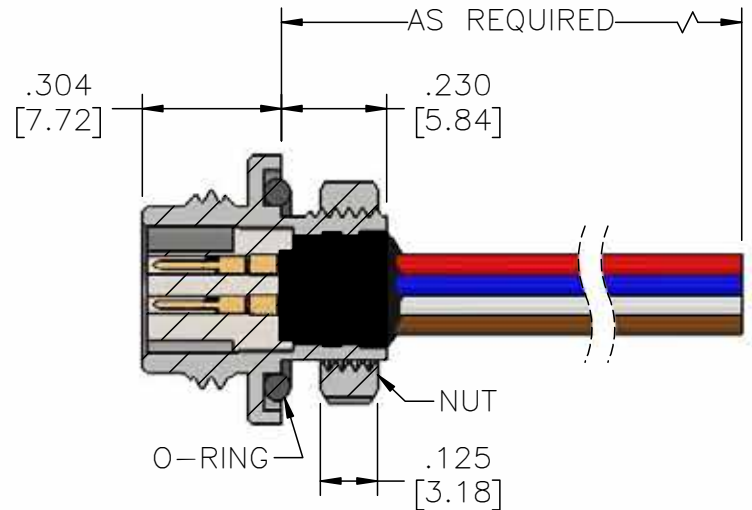
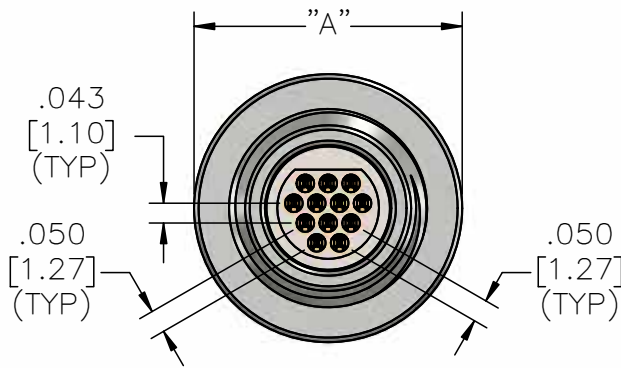
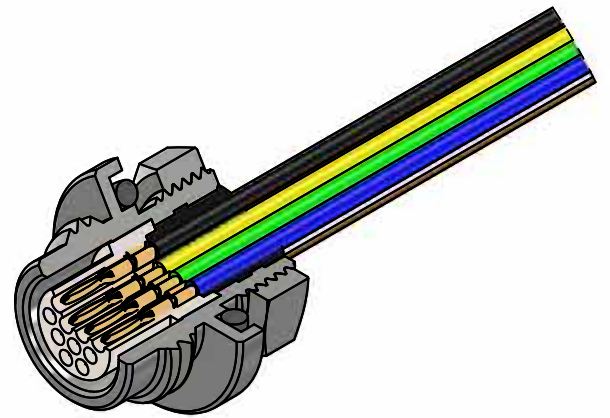
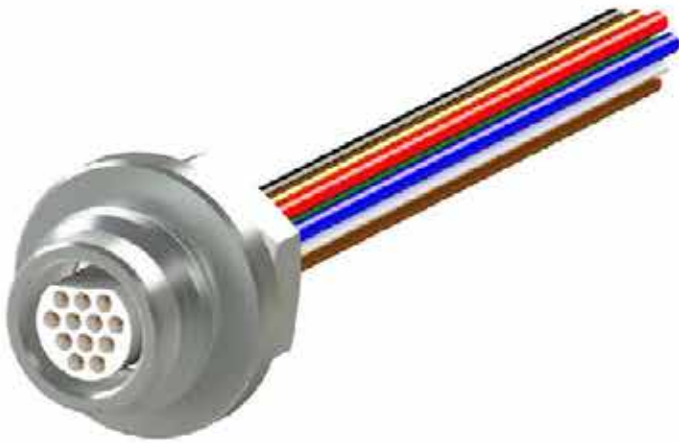
Part #	Contacts	A	A
A22128-001	5	0.750	19.05
A22129-001	12	0.820	20.83
A22130-001	16	0.875	22.23
A22131-001	27	0.990	25.15
A22483-001	39	1.100	27.94

**Metal - Pin - Threaded -  
Wired - Rear Panel  
MMCP-WD-RP**



		<b>English (IN)</b>	<b>Metric (MM)</b>
Part #	Contacts	A	A
A22132-001	5	0.750	19.05
A22133-001	12	0.820	20.83
A22134-001	16	0.875	22.23
A22135-001	27	0.990	25.15
A22484-001	39	1.100	27.94

# Metal - Pin - Threaded - Wired - Protruding Panel MMCP-WD-PP



Part #	Contacts	English	Metric
		(IN)	(MM)
A22371-001	5	A	A
A22376-001	12	0.541	13.74
A22381-001	16	0.586	14.88
A22386-001	27	0.662	16.81
A22386-001	27	0.742	18.85
A22485-001	39	0.821	20.85