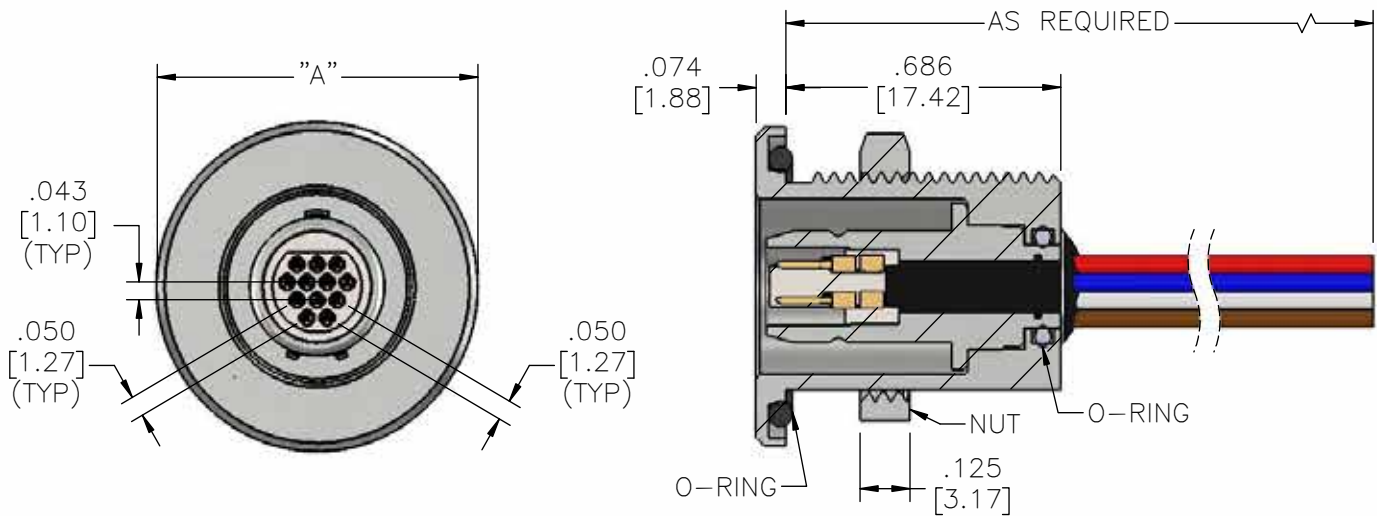
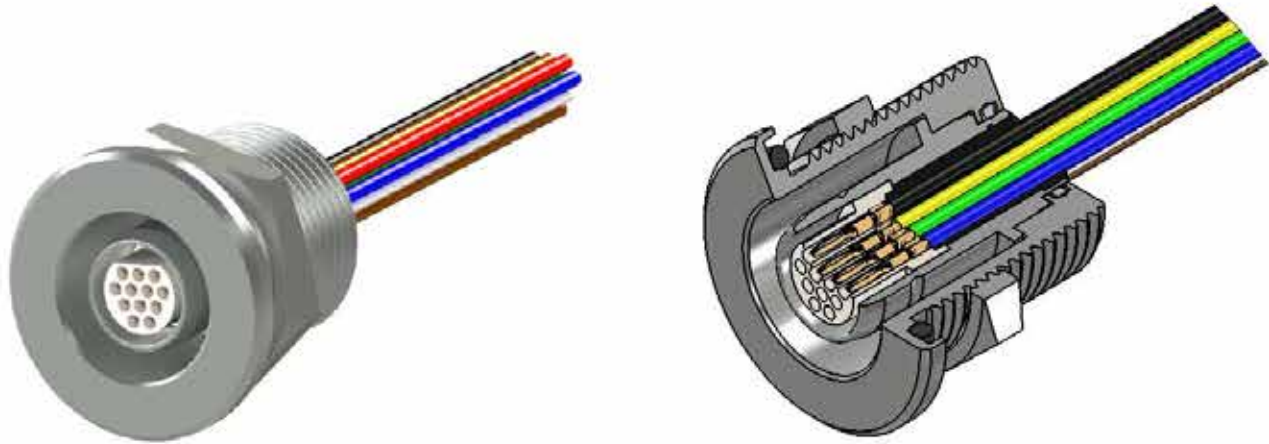


# Metal - Pin - Keyed Break Away - Wired - Front Panel

KBMP-WD-FP

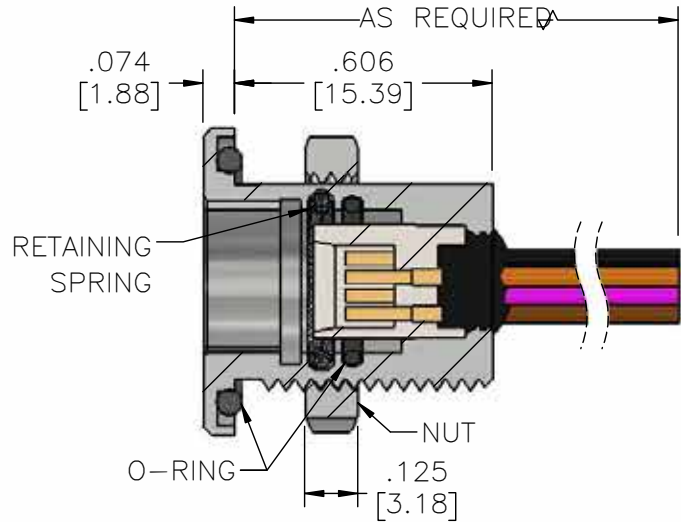
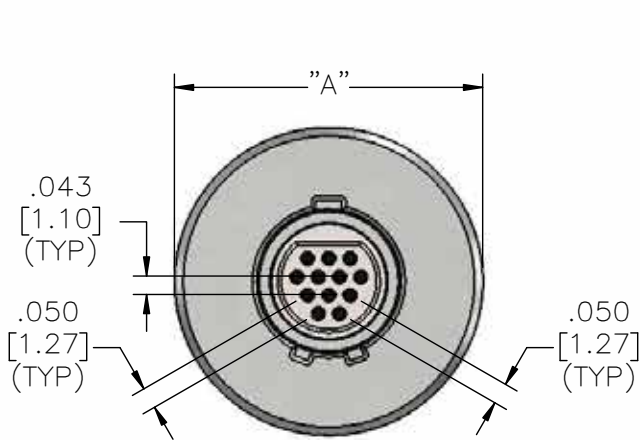
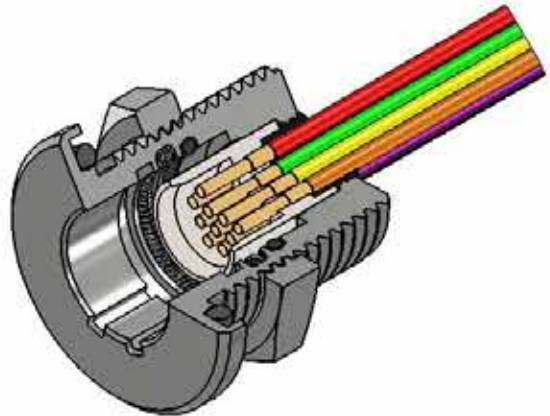


English (IN) Metric (MM)

Part #	Contacts	A	A
A22460-001	5	0.765	19.43
A22467-001	12	0.800	20.32
A22474-001	16	0.865	21.97
A22481-001	27	0.945	24.00
A22544-001	39	1.000	25.40

# Metal - Socket - Keyed Break Away - Wired- Front Panel

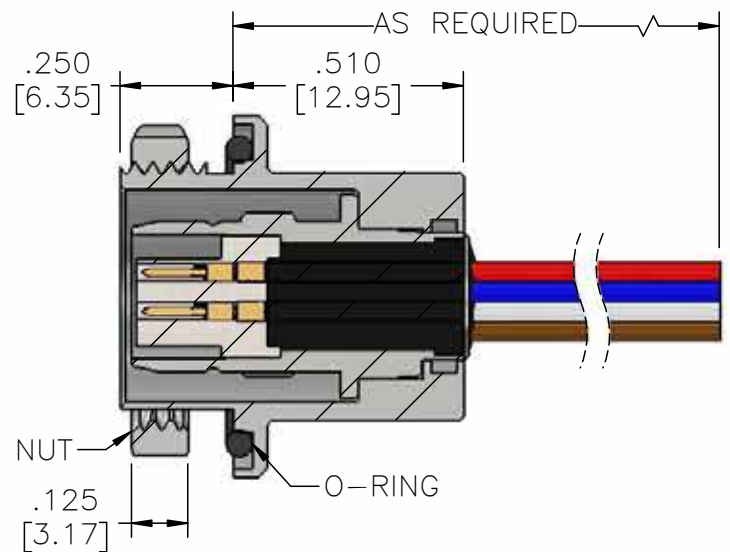
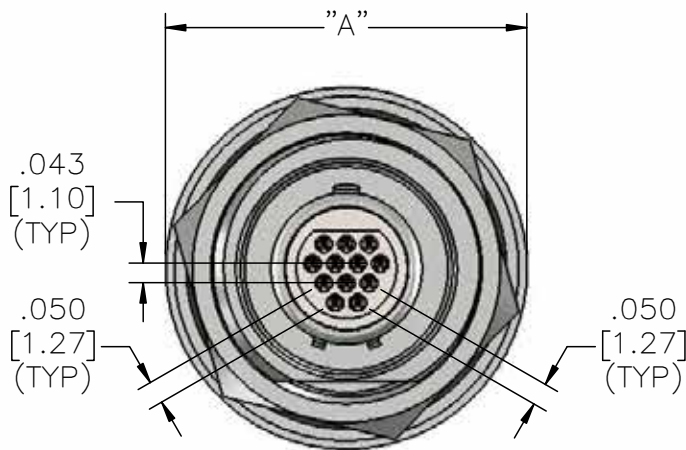
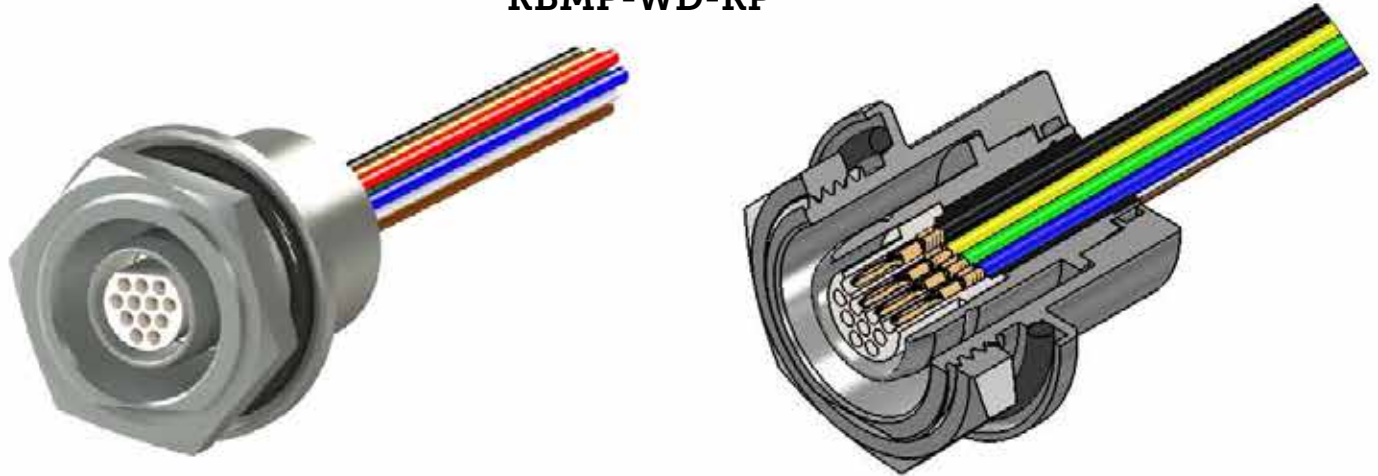
KBMS-WD-FP



Part #	Contacts	English (IN) Metric (MM)	
		A	A
A22456-001	5	0.680	17.27
A22463-001	12	0.725	18.42
A22470-001	16	0.765	19.43
A22477-001	27	0.865	21.97
A22549-001	39	0.950	24.13

# Metal - Pin - Keyed Break Away - Wired - Rear Panel

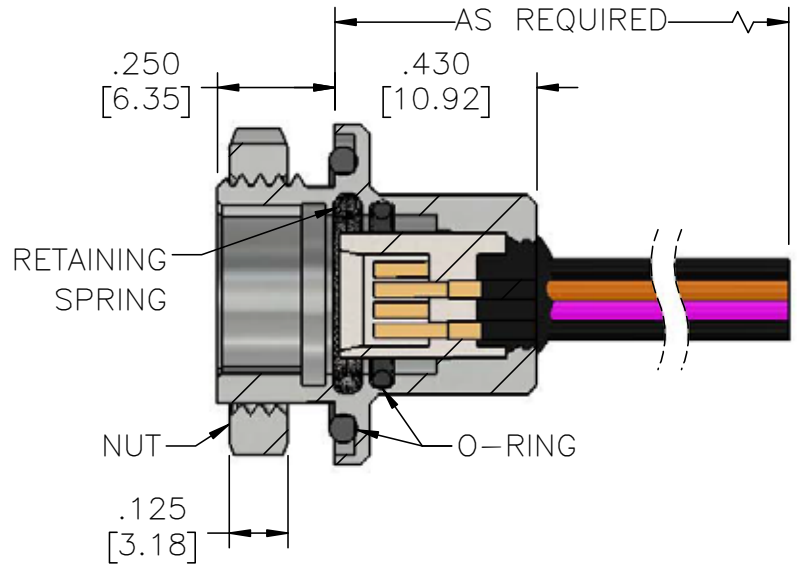
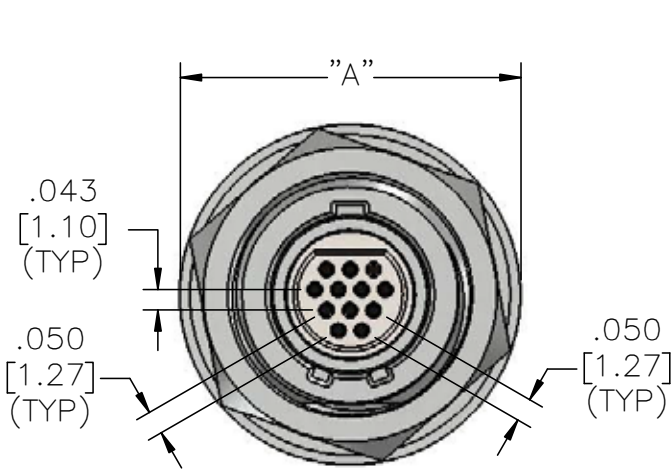
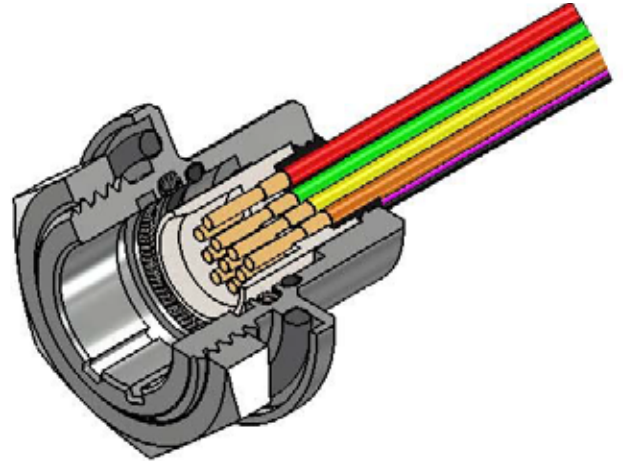
KBMP-WD-RP



Part #	Contacts	English (IN)	Metric (MM)
		A	A
A22461-001	5	0.765	19.43
A22468-001	12	0.800	20.32
A22475-001	16	0.865	21.97
A22482-001	27	0.945	24.00
A22545-001	39	1.000	25.40

# Metal - Socket - Keyed Break Away - Wired - Rear Panel

**KBMS-WD-RP**

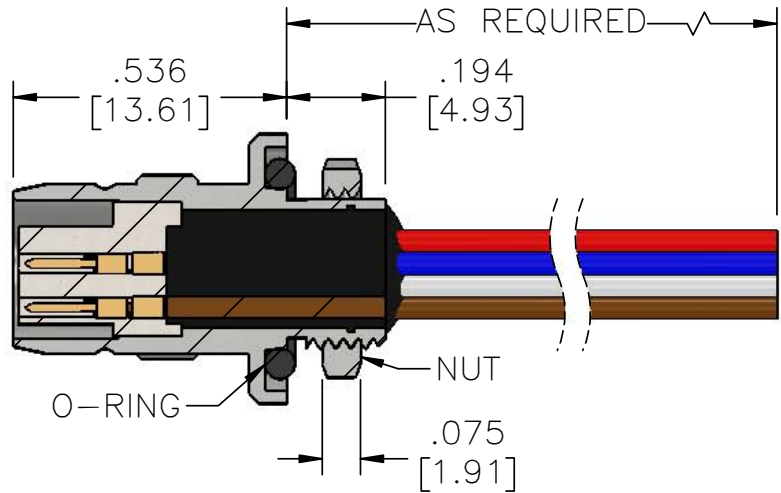
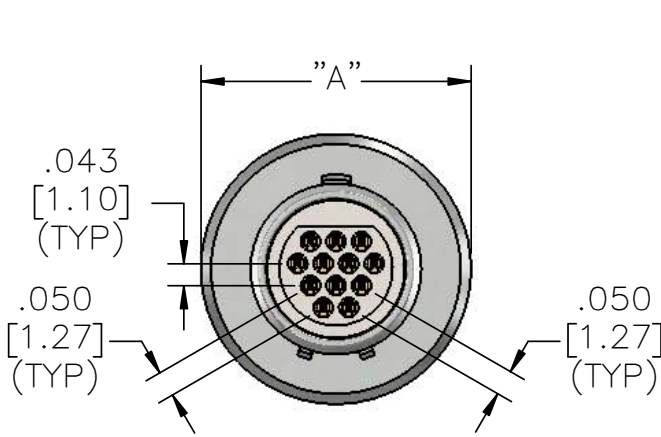
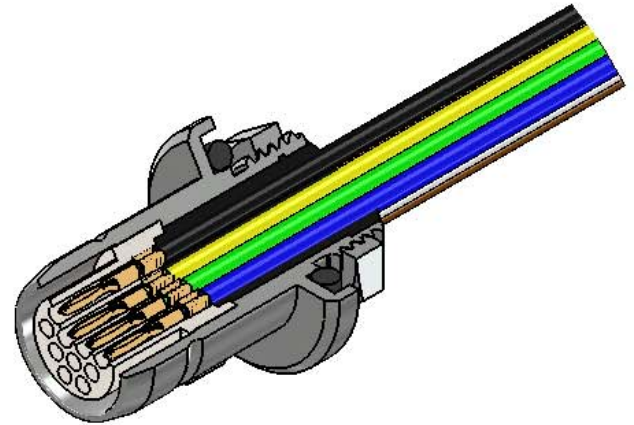
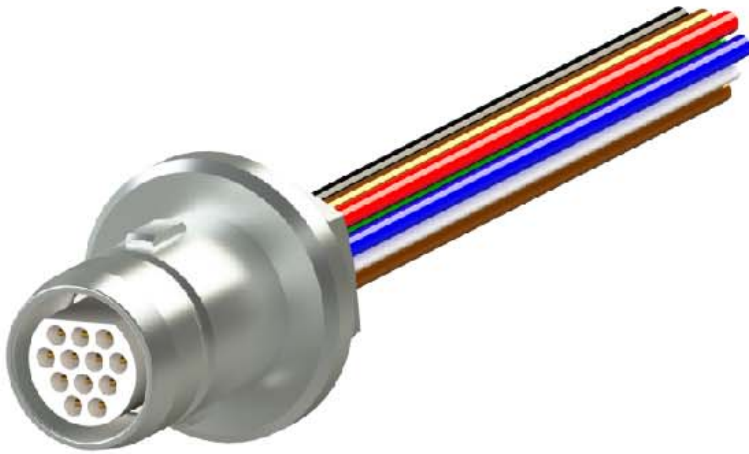


**English (IN) Metric (MM)**

Part #	Contacts	A	A
A22457-001	5	0.680	17.27
A22464-001	12	0.725	18.42
A22471-001	16	0.765	19.43
A22478-001	27	0.865	21.97
A22550-001	39	0.950	24.13

# Metal - Pin - Keyed Break Away - Wired - Protruding Panel

KBMP-WD-PP

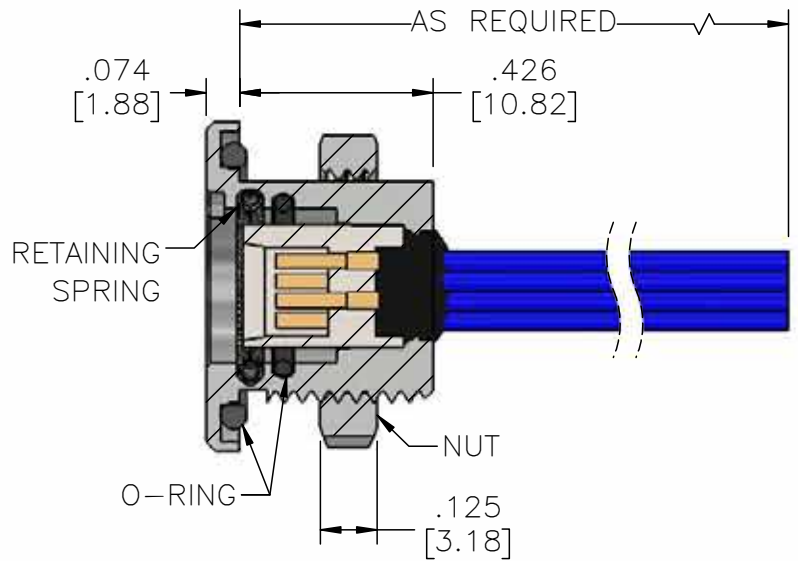
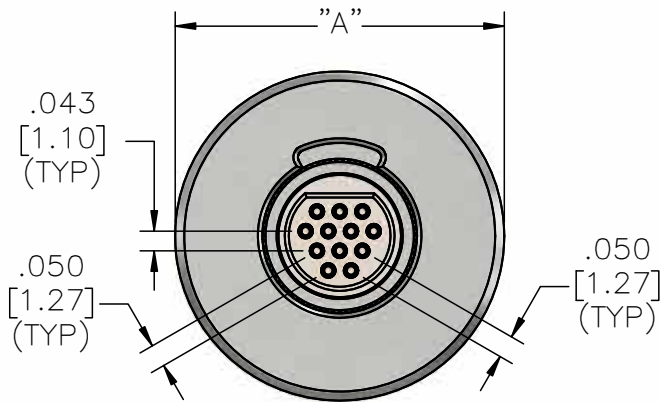
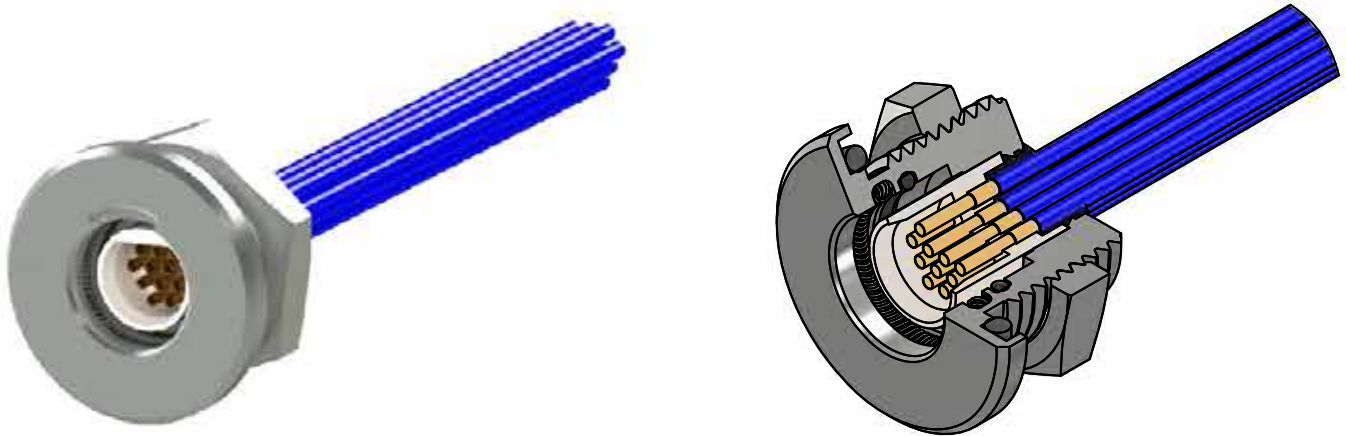


English (IN) Metric (MM)

Part #	Contacts	A	A
A22459-001	5	0.490	12.45
A22466-001	12	0.530	13.46
A22473-001	16	0.620	15.75
A22480-001	27	0.655	16.64
A22546-001	39	0.735	18.67

# Metal - Socket - Break Away - Wired - Front Panel

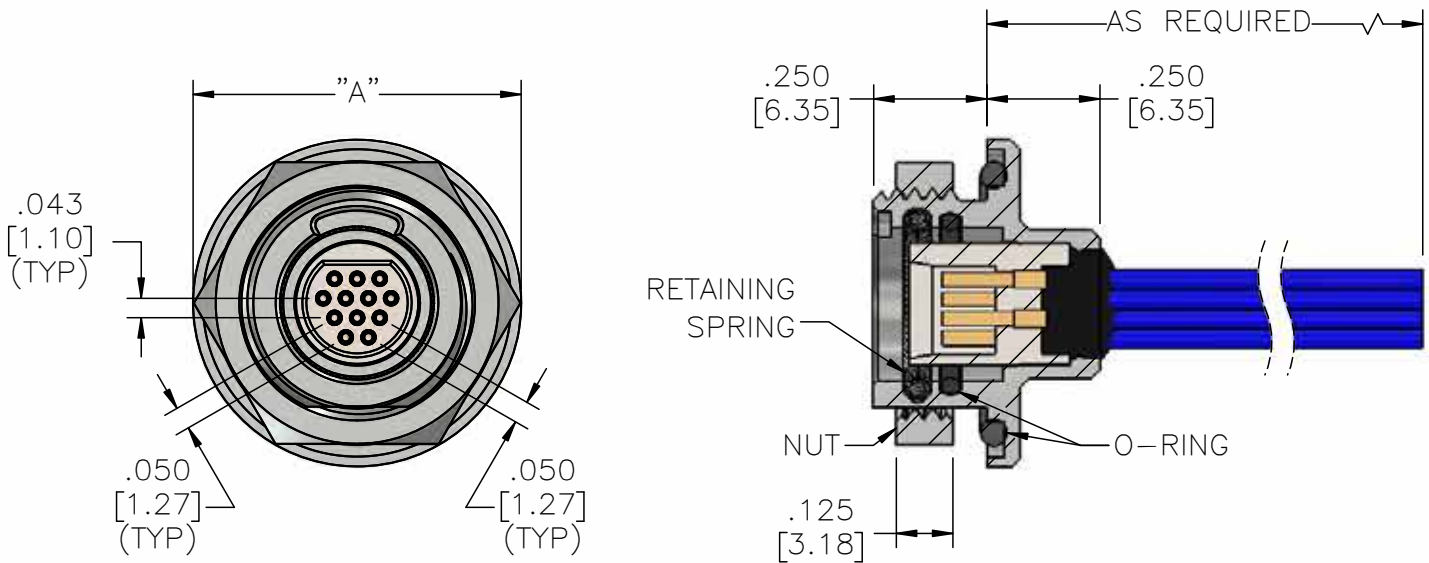
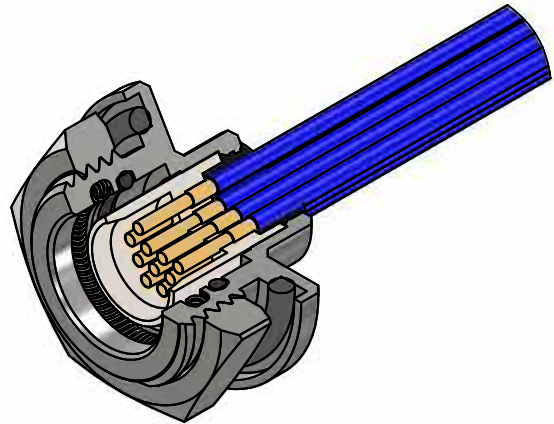
BAMS-WD-FP



English (IN)    Metric (MM)

Part #	Contacts	A	A
A22431-001	5	0.680	17.27
A22436-001	12	0.725	18.42
A22441-001	16	0.765	19.43
A22446-001	27	0.865	21.97
A22540-001	39	0.945	24.00

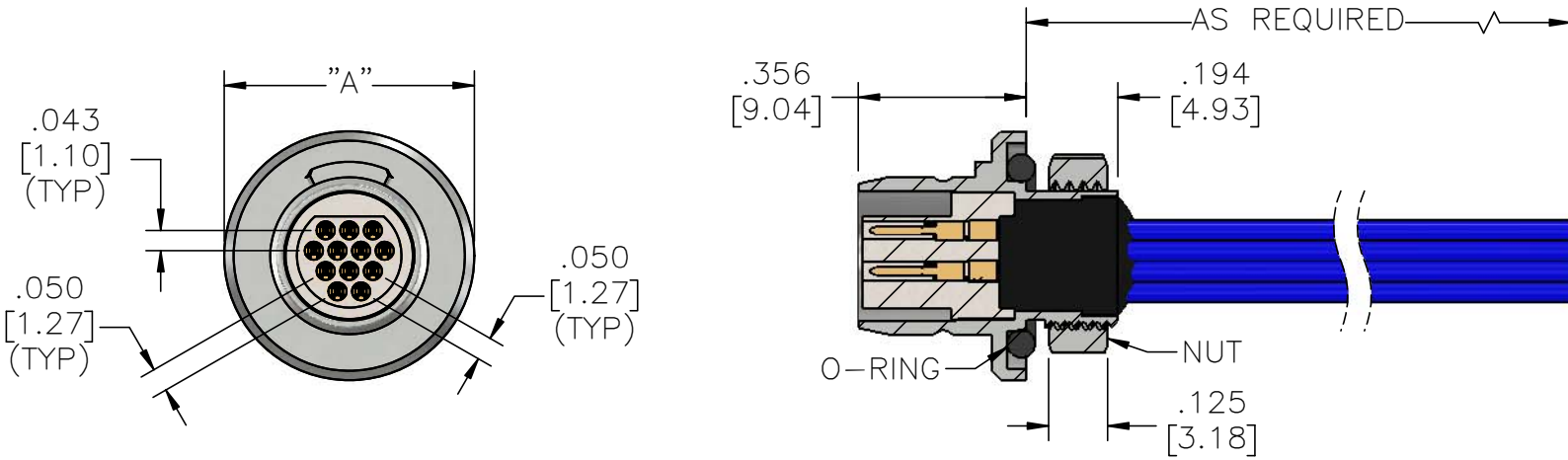
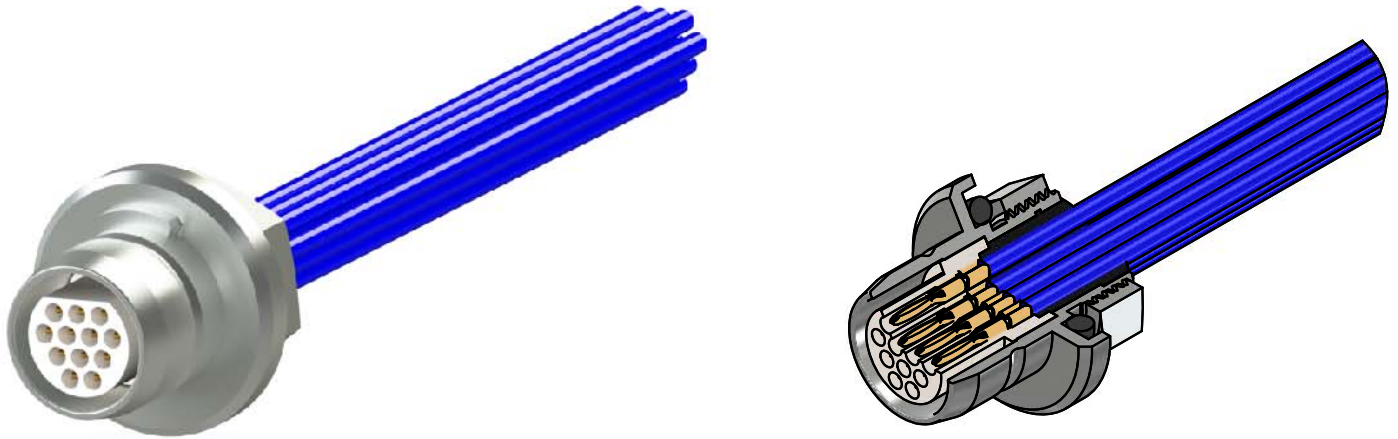
# Metal - Socket - Break Away - Wired - Rear Panel BAMS-WD-RP



English (IN) Metric (MM)

Part #	Contacts	A	A
A22432-001	5	0.680	17.27
A22437-001	12	0.725	18.42
A22442-001	16	0.765	19.43
A22447-001	27	0.865	21.97
A22541-001	39	0.915	23.24

**Metal - Pin - Break Away -  
Wired - Protruding Panel**  
BAMP-WD-PP



**English (IN) Metric (MM)**

Part #	Contacts	A	A
A22435-001	5	0.490	12.45
A22440-001	12	0.530	13.46
A22445-001	16	0.620	15.75
A22450-001	27	0.655	16.64
A22537-001	39	0.745	18.92