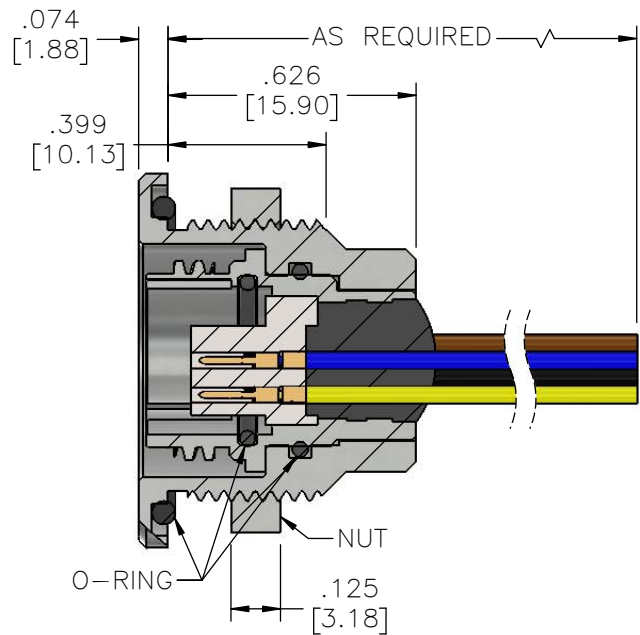
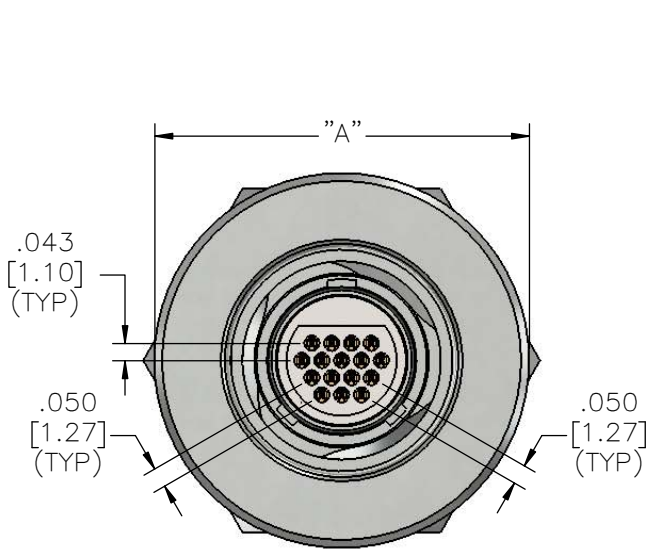
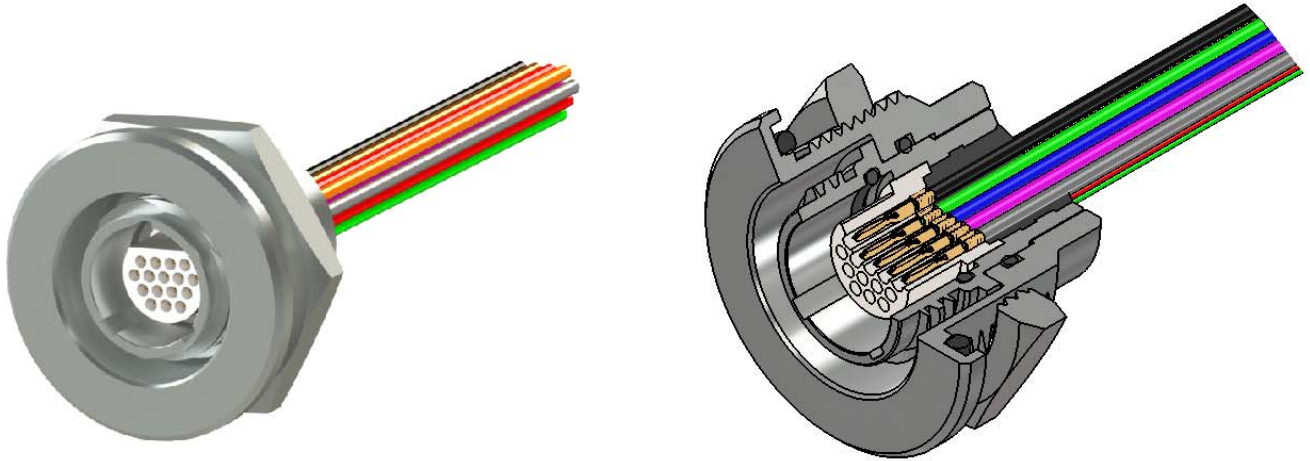


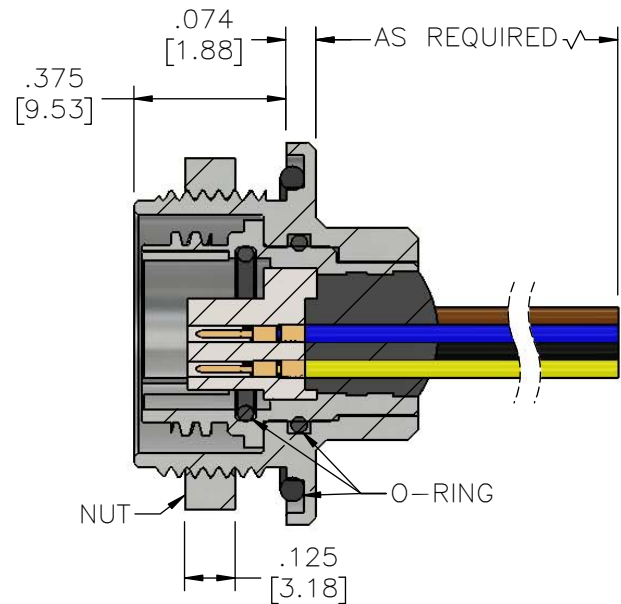
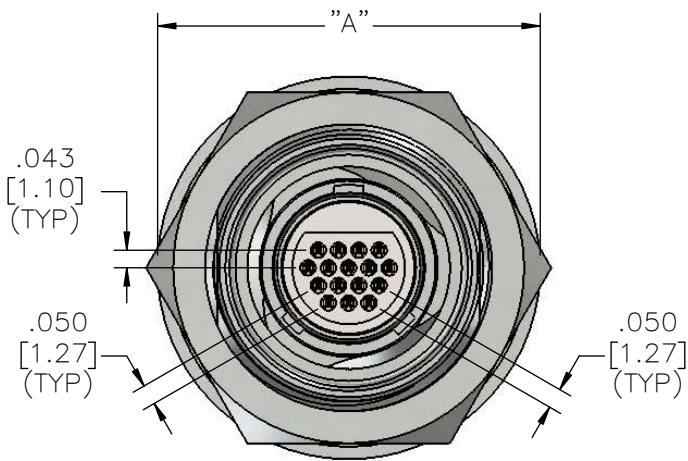
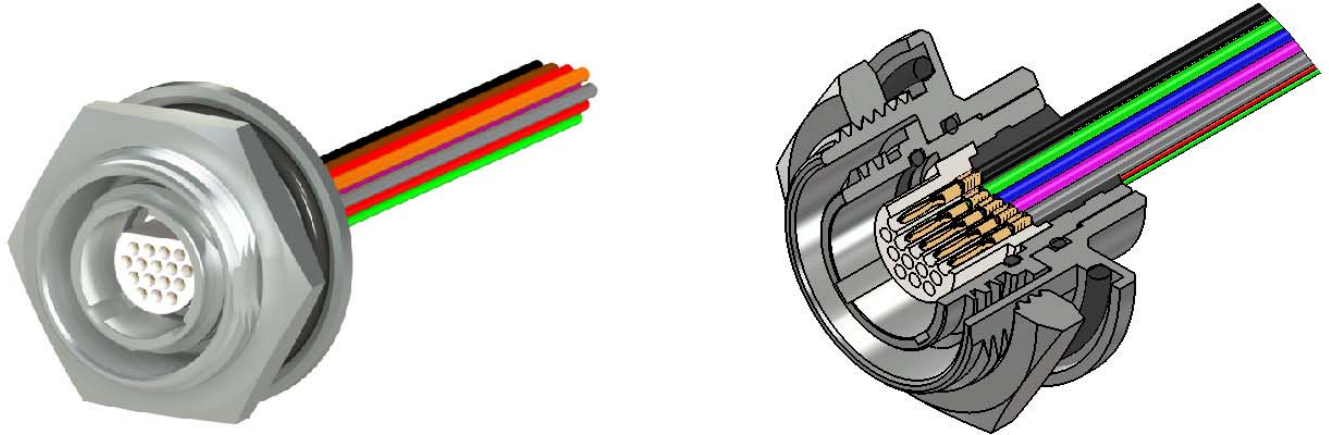
Metal - Pin - Ratcheting - Front Panel RMCP-FP



Part #	Contacts	English	Metric
		(IN)	(MM)
A22495-001	5	A	A
A22502-001	12	0.820	20.83
A22509-001	16	0.900	22.86
A22516-001	27	0.950	24.13
A22516-001	27	1.020	25.91
A22553-001	39	1.130	28.70

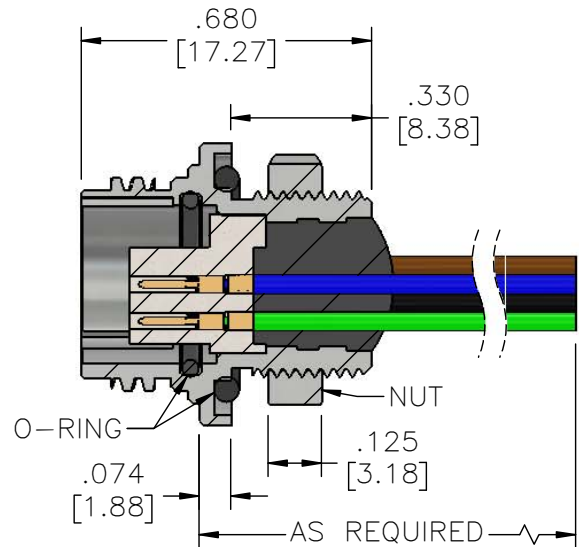
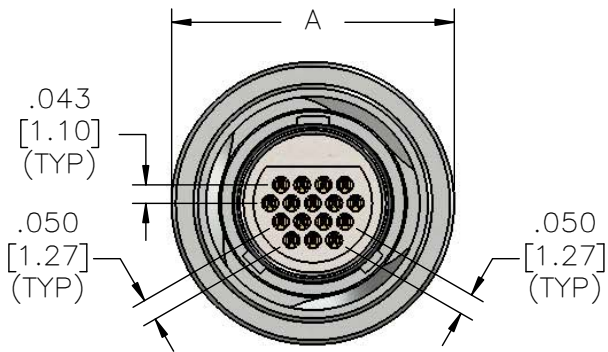
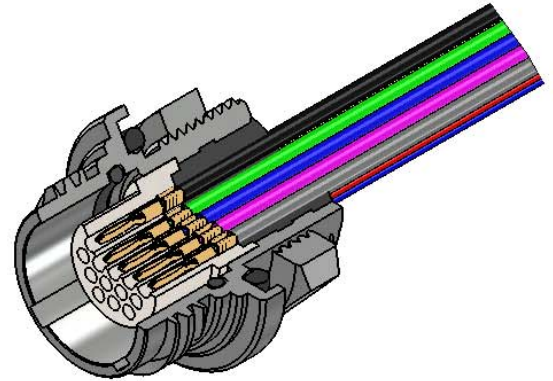
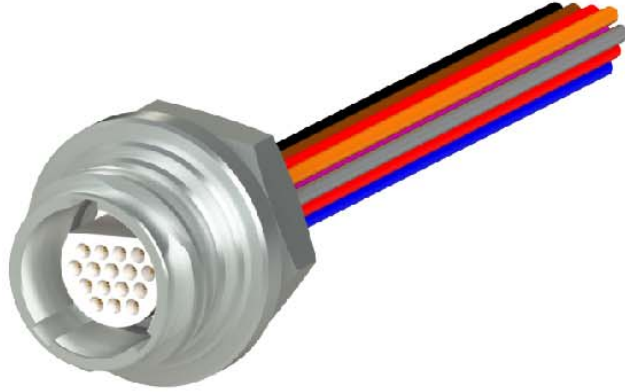
Metal - Pin - Ratcheting - Rear Panel

RMCP-RP



Part #	Contacts	English	Metric
		(IN)	(MM)
A22496-001	5	A	A
A22503-001	12	0.820	20.83
A22510-001	16	0.900	22.86
A22517-001	27	0.950	24.13
A22554-001	39	1.020	25.91
		1.130	28.70

Metal - Pin - Ratcheting - Protruding Panel RMCP-PP



English (IN) **Metric (MM)**

Part #	Contacts	A	A
A22494-001	5	0.528	13.41
A22501-001	12	0.578	14.68
A22508-001	16	0.662	16.81
A22515-001	27	0.732	18.59
A22555-001	39	0.810	20.57