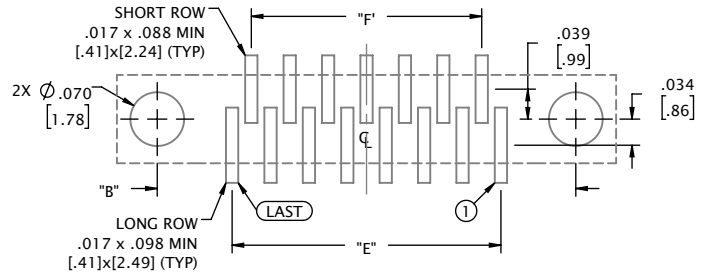
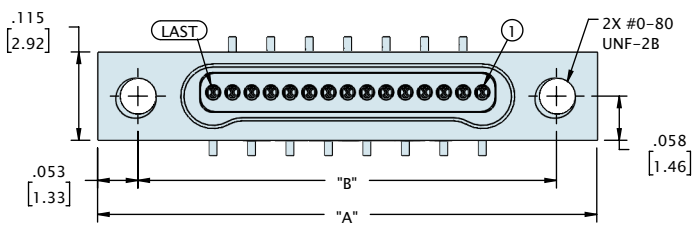
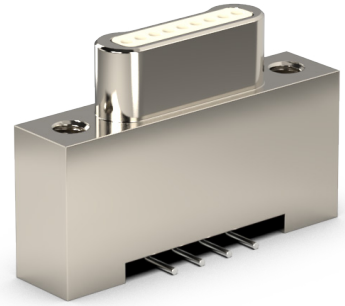
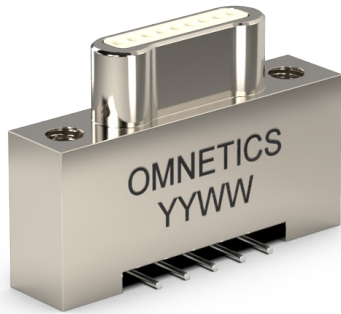
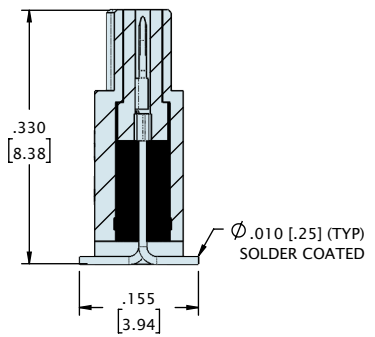
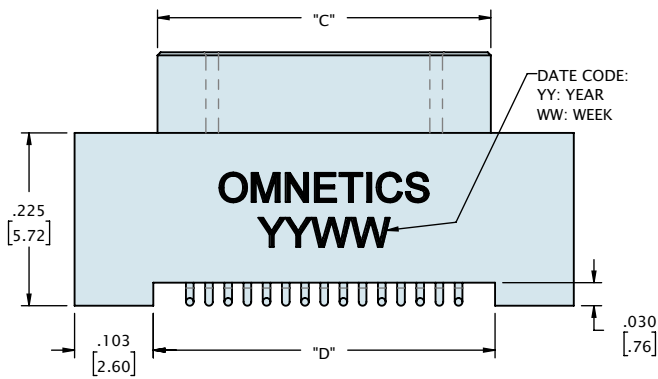


SINGLE ROW VERTICAL SMT (TYPE VV)



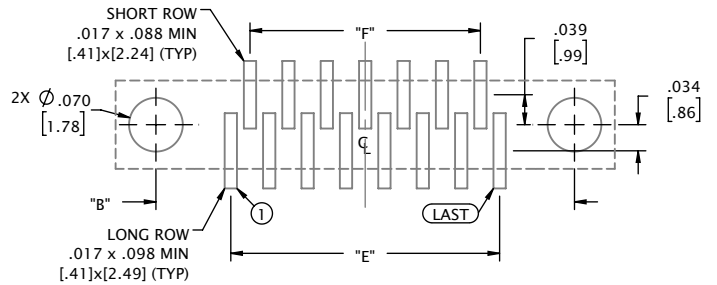
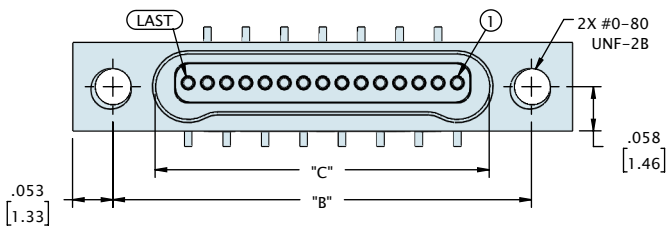
SUGGESTED PAD LAYOUT
(VIEW FROM MOUNTING SIDE OF BOARD)



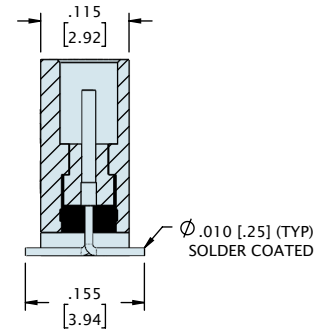
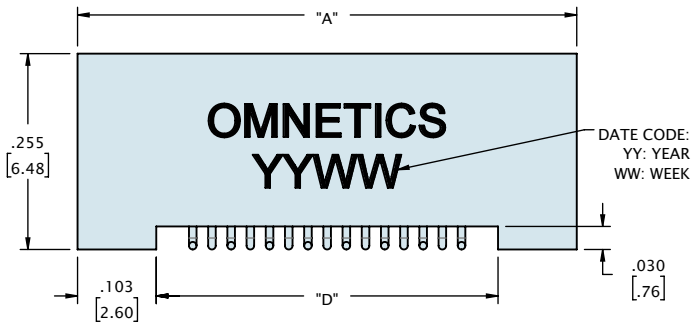
CONTACTS	"A"	"B"	"C"	"D"	"E"	"F"
05	.400 [10.16]	.295 [7.49]	.206 [5.23]	.195 [4.95]	.100 [2.54]	.050 [1.27]
09	.500 [12.70]	.395 [10.03]	.306 [7.77]	.295 [7.49]	.200 [5.08]	.150 [3.81]
15	.650 [16.51]	.545 [13.84]	.456 [11.58]	.445 [11.30]	.350 [8.89]	.300 [7.62]
21	.800 [20.32]	.695 [17.65]	.606 [15.39]	.595 [15.11]	.500 [12.70]	.450 [11.43]
25	.900 [22.86]	.795 [20.19]	.706 [17.93]	.695 [17.65]	.600 [15.24]	.550 [13.97]
31	1.050 [26.67]	.945 [24.00]	.856 [21.74]	.845 [21.46]	.750 [19.05]	.700 [17.78]
37	1.200 [30.48]	1.095 [27.81]	1.006 [25.55]	.995 [25.27]	.900 [22.86]	.850 [21.59]
51	1.550 [39.37]	1.445 [36.70]	1.356 [34.44]	1.345 [34.16]	1.250 [31.75]	1.200 [30.48]

DIMENSIONS IN [] ARE IN MILLIMETERS AND ARE FOR REFERENCE ONLY

SINGLE ROW VERTICAL SMT (TYPE VV)



SUGGESTED PAD LAYOUT
(VIEW FROM MOUNTING SIDE OF BOARD)



CONTACTS	"A"	"B"	"C"	"D"	"E"	"F"
05	.400 [10.16]	.295 [7.49]	.185 [4.70]	.195 [4.95]	.100 [2.54]	.050 [1.27]
09	.500 [12.70]	.395 [10.03]	.285 [7.24]	.295 [7.49]	.200 [5.08]	.150 [3.81]
15	.650 [16.51]	.545 [13.84]	.435 [11.05]	.445 [11.30]	.350 [8.89]	.300 [7.62]
21	.800 [20.32]	.695 [17.65]	.585 [14.86]	.595 [15.11]	.500 [12.70]	.450 [11.43]
25	.900 [22.86]	.795 [20.19]	.685 [17.40]	.695 [17.65]	.600 [15.24]	.550 [13.97]
31	1.050 [26.67]	.945 [24.00]	.835 [21.21]	.845 [21.46]	.750 [19.05]	.700 [17.78]
37	1.200 [30.48]	1.095 [27.81]	.985 [25.02]	.995 [25.27]	.900 [22.86]	.850 [21.59]
51	1.550 [39.37]	1.445 [36.70]	1.335 [33.91]	1.345 [34.16]	1.250 [31.75]	1.200 [30.48]

DIMENSIONS IN [] ARE IN MILLIMETERS AND ARE FOR REFERENCE ONLY