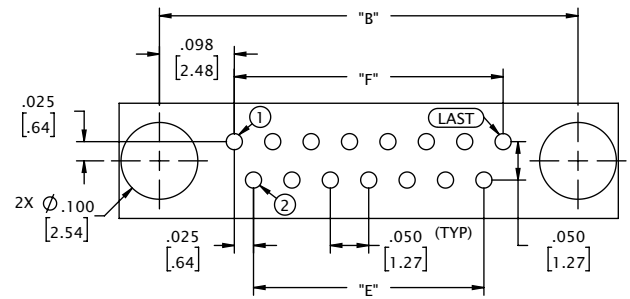
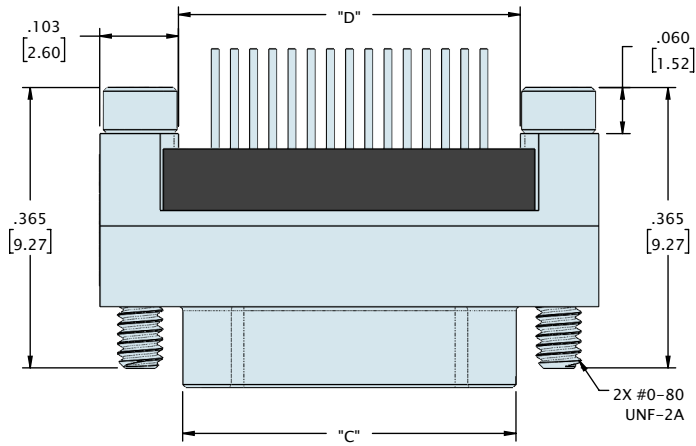
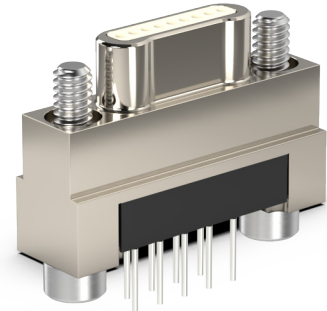
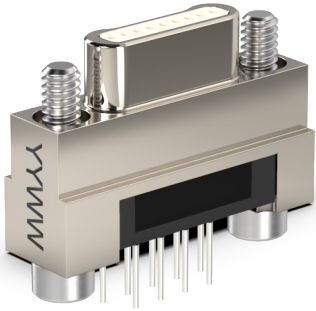
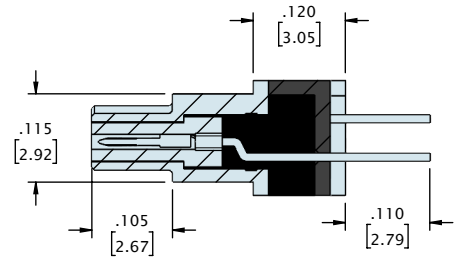
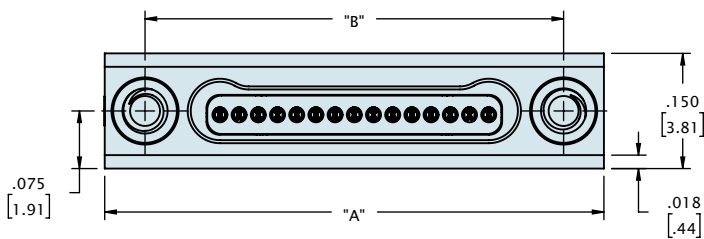


# SINGLE ROW VERTICAL THRU-HOLE (TYPE V2)



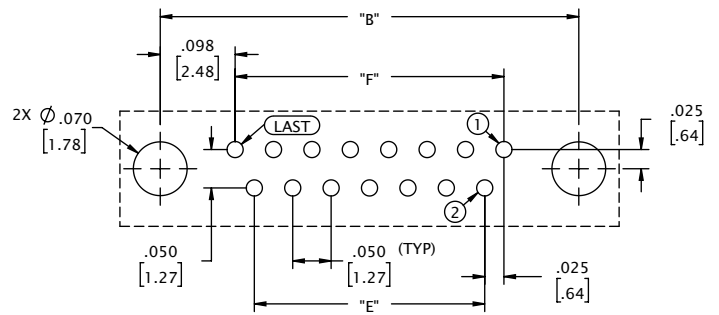
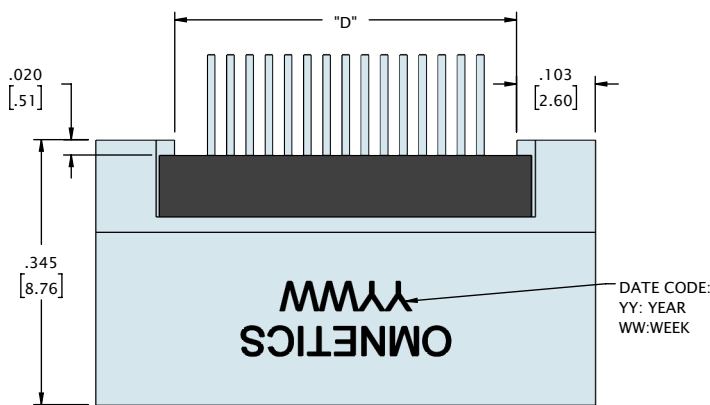
**SUGGESTED PAD LAYOUT  
(VIEW FROM MOUNTING SIDE OF BOARD)**



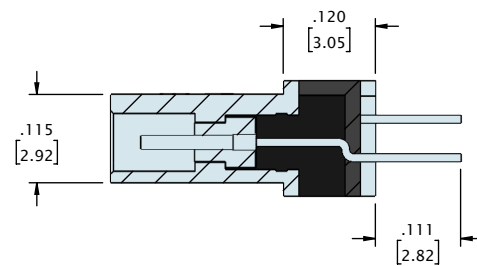
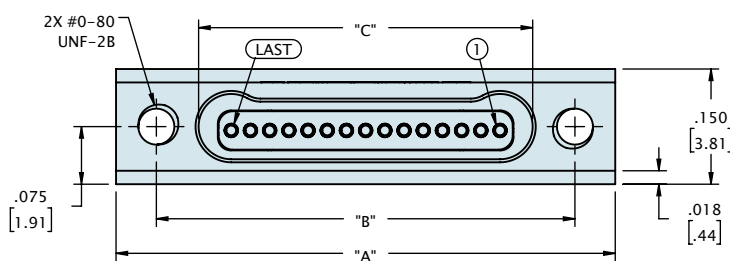
CONTACTS	"A"	"B"	"C"	"D"	"E"	"F"
05	.400 [10.16]	.295 [7.49]	.184 [4.67]	.195 [4.95]	.050 [1.27]	.100 [2.54]
09	.500 [12.70]	.395 [10.03]	.284 [7.21]	.295 [7.49]	.150 [3.81]	.200 [5.08]
15	.650 [16.51]	.545 [13.84]	.434 [11.02]	.445 [11.30]	.300 [7.62]	.350 [8.89]
21	.800 [20.32]	.695 [17.65]	.584 [14.83]	.595 [15.11]	.450 [11.43]	.500 [12.70]
25	.900 [22.86]	.795 [20.19]	.684 [17.37]	.695 [17.65]	.550 [13.97]	.600 [15.24]
31	1.050 [26.67]	.945 [24.00]	.834 [21.18]	.845 [21.46]	.700 [17.78]	.750 [19.05]
37	1.200 [30.48]	1.095 [27.81]	.984 [24.99]	.995 [25.27]	.850 [21.59]	.900 [22.86]
51	1.550 [39.37]	1.445 [36.70]	1.334 [33.88]	1.345 [34.16]	1.200 [30.48]	1.250 [31.75]

DIMENSIONS IN [ ] ARE IN MILLIMETERS AND ARE FOR REFERENCE ONLY

# SINGLE ROW VERTICAL THRU-HOLE (TYPE V2)



**SUGGESTED PAD LAYOUT**  
(VIEW FROM MOUNTING SIDE OF BOARD)



CONTACTS	"A"	"B"	"C"	"D"	"E"	"F"
05	.400 [10.16]	.295 [7.49]	.185 [4.70]	.195 [4.95]	.050 [1.27]	.100 [2.54]
09	.500 [12.70]	.395 [10.03]	.285 [7.24]	.295 [7.49]	.150 [3.81]	.200 [5.08]
15	.650 [16.51]	.545 [13.84]	.435 [11.05]	.445 [11.30]	.300 [7.62]	.350 [8.89]
21	.800 [20.32]	.695 [17.65]	.585 [14.86]	.595 [15.11]	.450 [11.43]	.500 [12.70]
25	.900 [22.86]	.795 [20.19]	.685 [17.40]	.695 [17.65]	.550 [13.97]	.600 [15.24]
31	1.050 [26.67]	.945 [24.00]	.835 [21.21]	.845 [21.46]	.700 [17.78]	.750 [19.05]
37	1.200 [30.48]	1.095 [27.81]	.985 [25.02]	.995 [25.27]	.850 [21.59]	.900 [22.86]
51	1.550 [39.37]	1.445 [36.70]	1.355 [34.42]	1.345 [34.16]	1.200 [30.48]	1.250 [31.75]

DIMENSIONS IN [ ] ARE IN MILLIMETERS AND ARE FOR REFERENCE ONLY