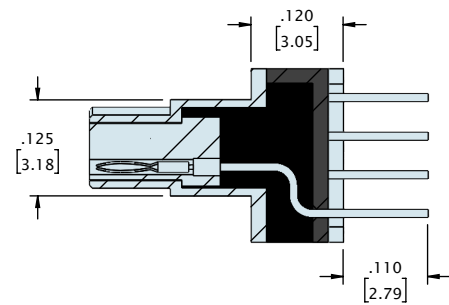
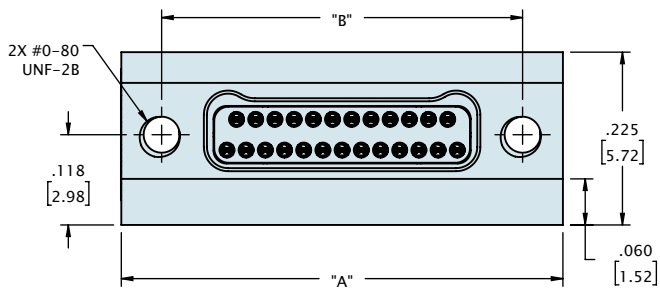
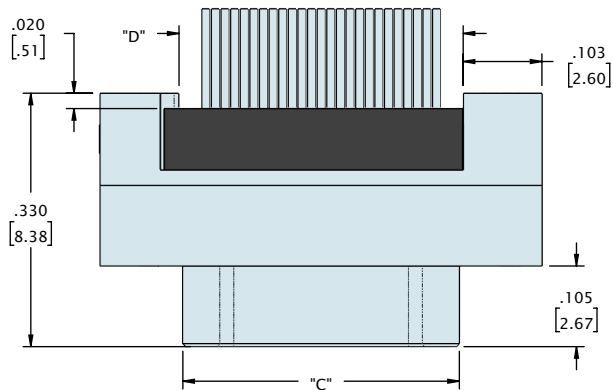
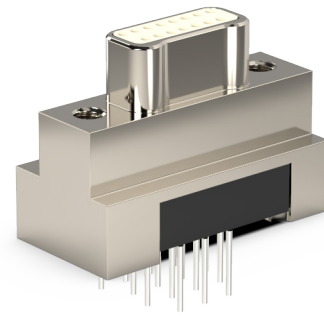
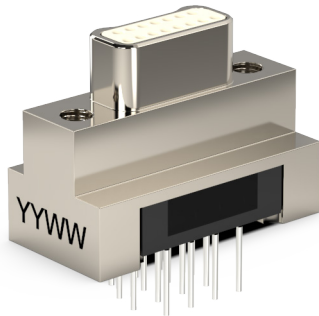


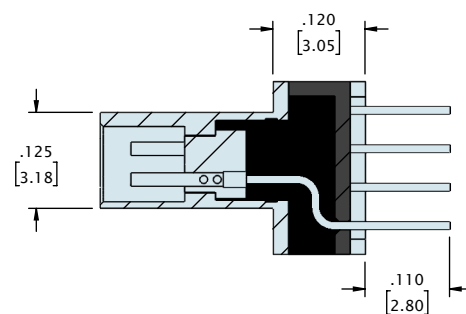
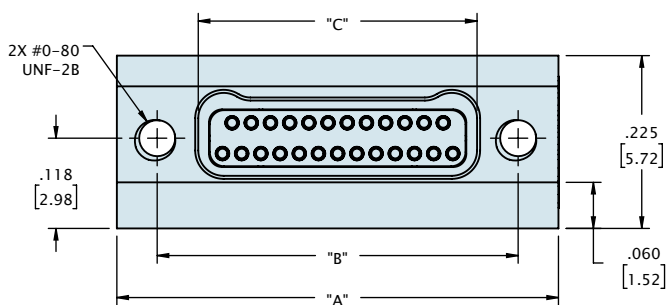
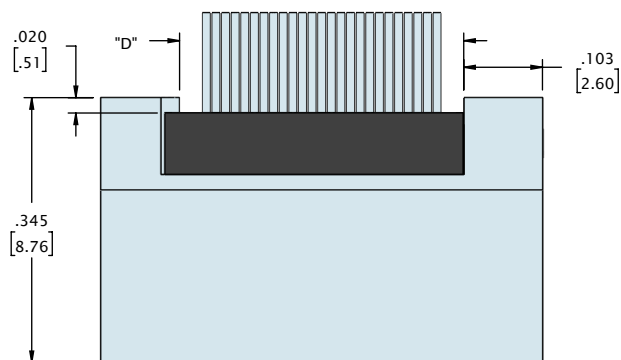
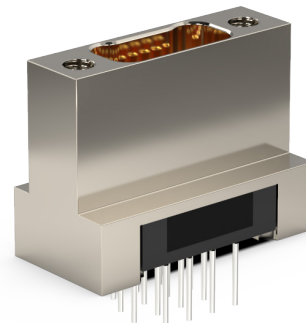
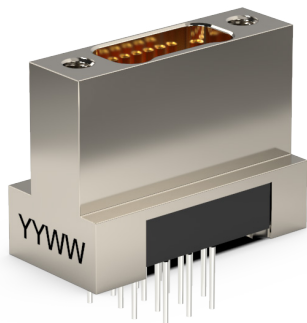
DUAL ROW VERTICAL THRU-HOLE (TYPE V4)



CONTACTS	"A"	"B"	"C"	"D"
09	.375 [9.53]	.270 [6.86]	.160 [4.06]	.170 [4.32]
15	.450 [11.43]	.345 [8.76]	.235 [5.97]	.245 [6.22]
21	.525 [13.34]	.420 [10.67]	.310 [7.87]	.320 [8.13]
25	.575 [14.61]	.470 [11.94]	.360 [9.14]	.370 [9.40]
31	.650 [16.51]	.545 [13.84]	.435 [11.05]	.445 [11.30]
37	.725 [18.42]	.620 [15.75]	.510 [12.95]	.520 [13.21]
51	.900 [22.86]	.795 [20.19]	.685 [17.40]	.695 [17.65]
65	1.075 [27.31]	.970 [24.64]	.860 [21.84]	.870 [22.10]
85	1.325 [33.66]	1.220 [30.99]	1.110 [28.19]	1.120 [28.45]

DIMENSIONS IN [] ARE IN MILLIMETERS AND ARE FOR REFERENCE ONLY

DUAL ROW VERTICAL THRU-HOLE (TYPE V4)

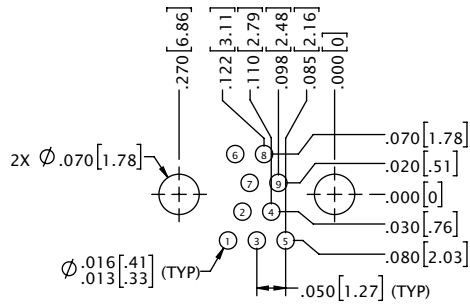


CONTACTS	"A"	"B"	"C"	"D"
09	.375 [9.53]	.270 [6.86]	.163 [4.14]	.170 [4.32]
15	.450 [11.43]	.345 [8.76]	.238 [6.05]	.245 [6.22]
21	.525 [13.34]	.420 [10.67]	.313 [7.95]	.320 [8.13]
25	.575 [14.61]	.470 [11.94]	.363 [9.22]	.370 [9.40]
31	.650 [16.51]	.545 [13.84]	.438 [11.13]	.445 [11.30]
37	.725 [18.42]	.620 [15.75]	.513 [13.03]	.520 [13.21]
51	.900 [22.86]	.795 [20.19]	.688 [17.48]	.695 [17.65]
65	1.075 [27.31]	.970 [24.64]	.863 [21.92]	.870 [22.10]
85	1.325 [33.66]	1.220 [30.99]	1.113 [28.27]	1.120 [28.45]

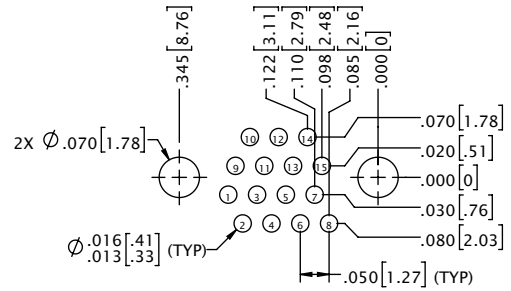
DIMENSIONS IN [] ARE IN MILLIMETERS AND ARE FOR REFERENCE ONLY

DUAL ROW VERTICAL THRU-HOLE (TYPE V4)

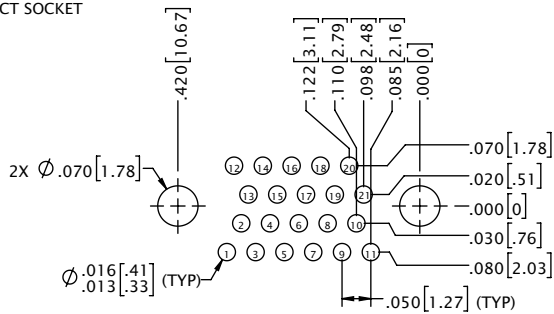
9 CONTACT SOCKET



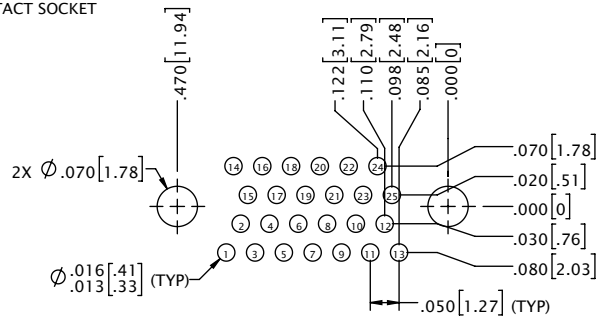
15 CONTACT SOCKET



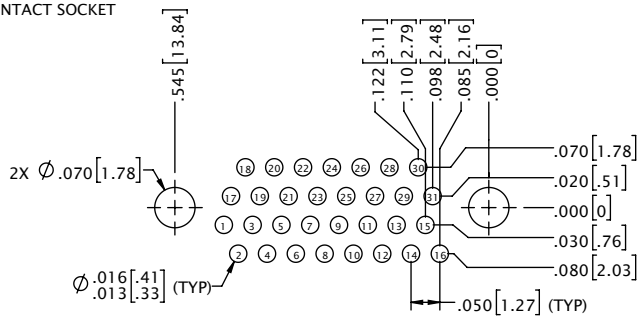
21 CONTACT SOCKET



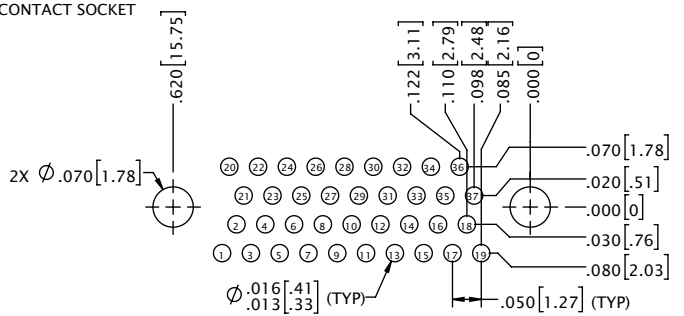
25 CONTACT SOCKET



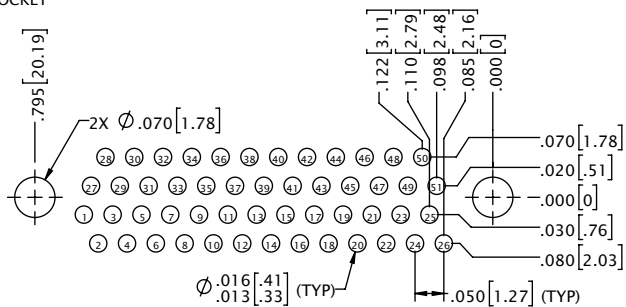
31 CONTACT SOCKET



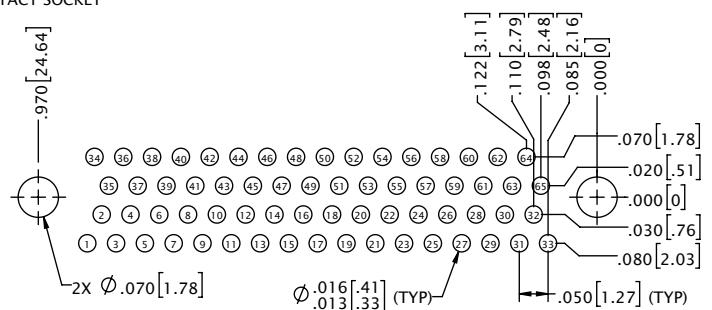
37 CONTACT SOCKET



51 CONTACT SOCKET



65 CONTACT SOCKET



85 CONTACT SOCKET

