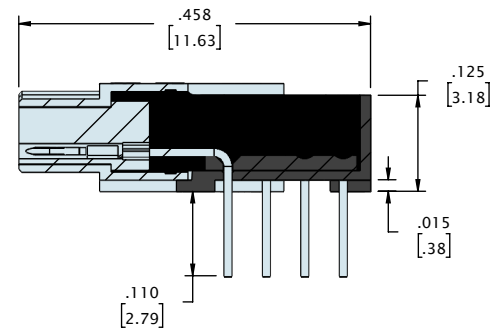
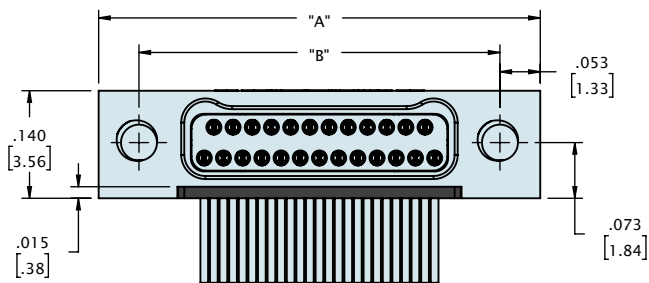
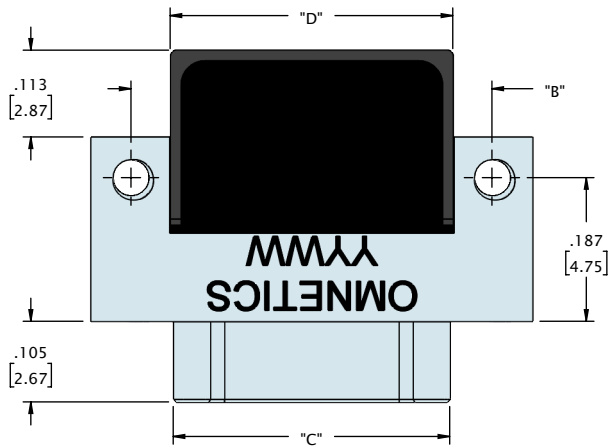
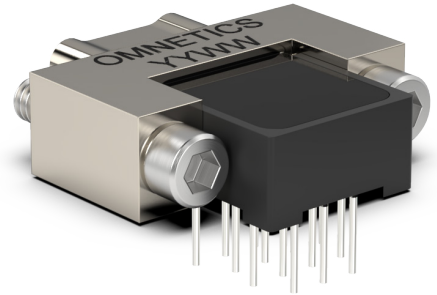
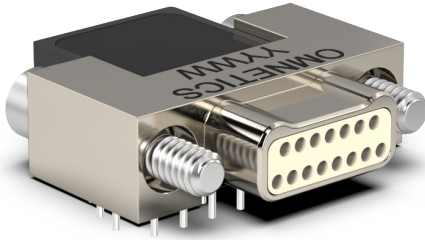


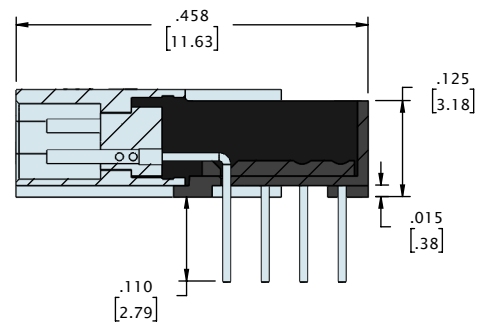
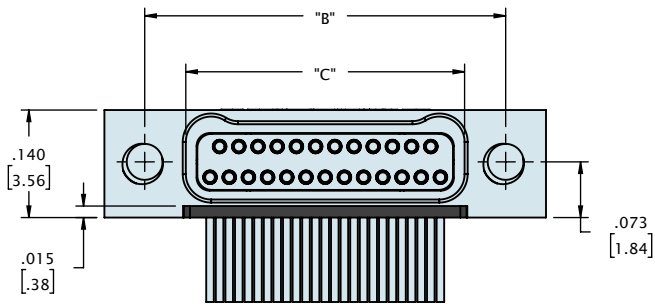
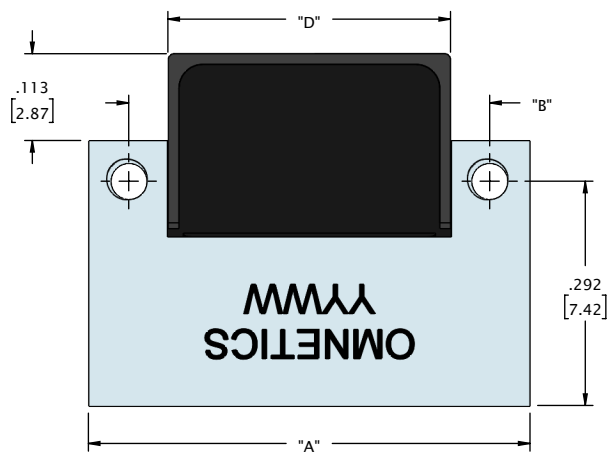
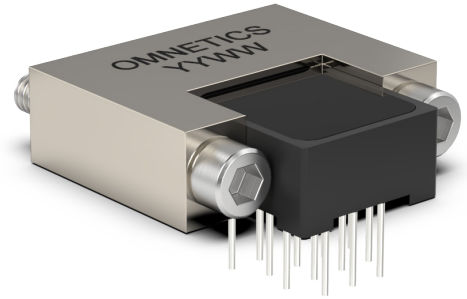
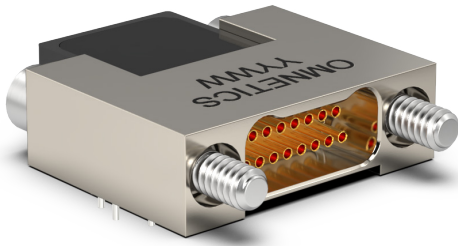
DUAL ROW HORIZONTAL THRU-HOLE (TYPE H4)



CONTACTS	"A"	"B"	"C"	"D"
09	.375 [9.53]	.270 [6.86]	.160 [4.06]	.168 [4.27]
15	.450 [11.43]	.345 [8.76]	.235 [5.97]	.243 [6.17]
21	.525 [13.34]	.420 [10.67]	.310 [7.87]	.318 [8.08]
25	.575 [14.61]	.470 [11.94]	.360 [9.14]	.368 [9.35]
31	.650 [16.51]	.545 [13.84]	.435 [11.05]	.443 [11.25]
37	.725 [18.42]	.620 [15.75]	.510 [12.95]	.518 [13.16]
51	.900 [22.86]	.795 [20.19]	.685 [17.40]	.693 [17.60]
65	1.075 [27.31]	.970 [24.64]	.860 [21.84]	.868 [22.05]
85	1.325 [33.66]	1.220 [30.99]	1.110 [28.19]	1.118 [28.40]

DIMENSIONS IN [] ARE IN MILLIMETERS AND ARE FOR REFERENCE ONLY

DUAL ROW HORIZONTAL THRU-HOLE (TYPE H4)

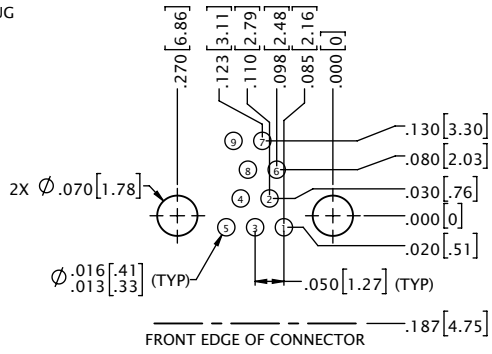


CONTACTS	"A"	"B"	"C"	"D"
09	.375 [9.53]	.270 [6.86]	.163 [4.14]	.168 [4.27]
15	.450 [11.43]	.345 [8.76]	.238 [6.05]	.243 [6.17]
21	.525 [13.34]	.420 [10.67]	.313 [7.95]	.318 [8.08]
25	.575 [14.61]	.470 [11.94]	.363 [9.22]	.368 [9.35]
31	.650 [16.51]	.545 [13.84]	.438 [11.13]	.443 [11.25]
37	.725 [18.42]	.620 [15.75]	.513 [13.03]	.518 [13.16]
51	.900 [22.86]	.795 [20.19]	.688 [17.48]	.693 [17.60]
65	1.075 [27.31]	.970 [24.64]	.863 [21.92]	.868 [22.05]
85	1.325 [33.66]	1.220 [30.99]	1.113 [28.27]	1.118 [28.40]

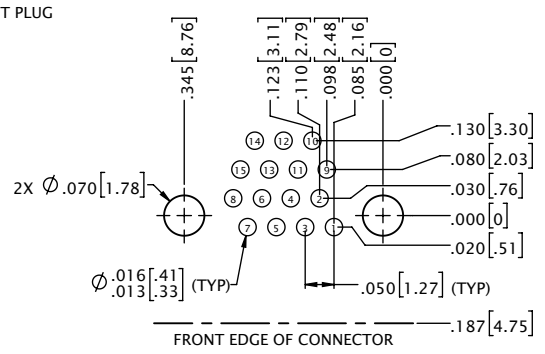
DIMENSIONS IN [] ARE IN MILLIMETERS AND ARE FOR REFERENCE ONLY

DUAL ROW HORIZONTAL THRU-HOLE (TYPE H4)

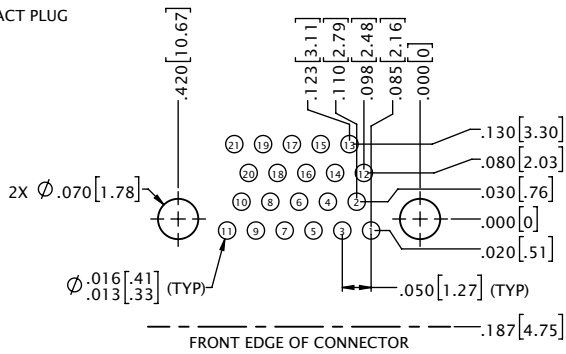
9 CONTACT PLUG



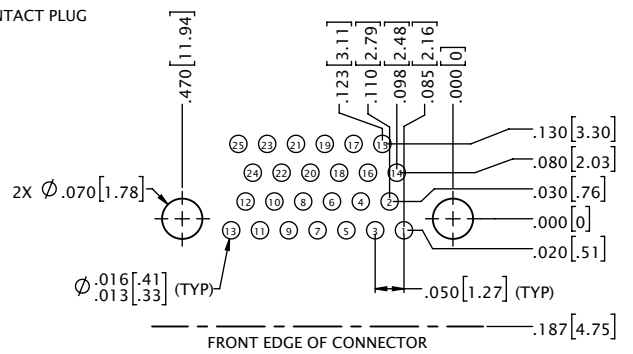
15 CONTACT PLUG



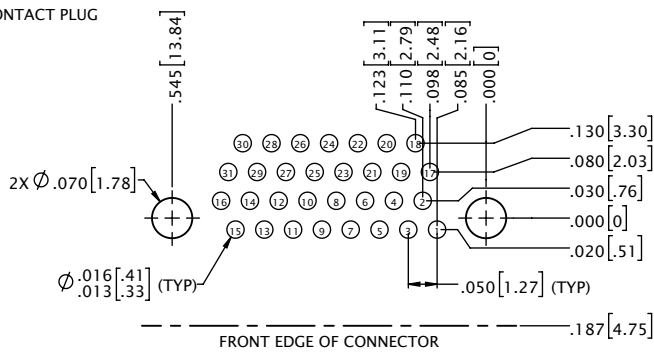
21 CONTACT PLUG



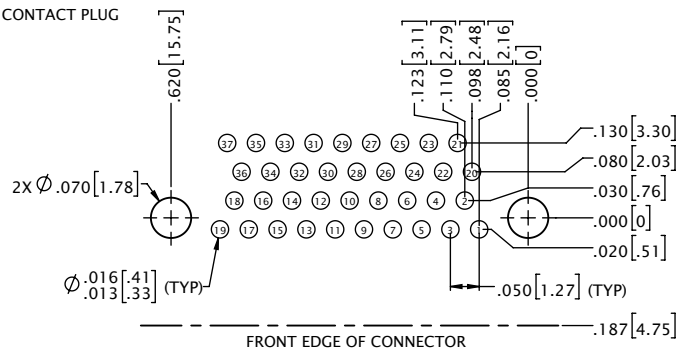
25 CONTACT PLUG



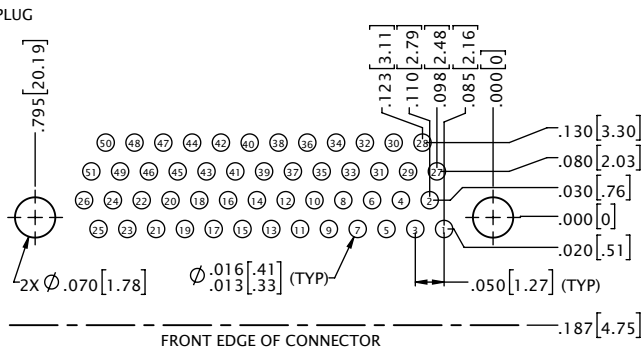
31 CONTACT PLUG



37 CONTACT PLUG



51 CONTACT PLUG



65 CONTACT PLUG

