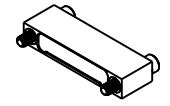


PART NO.	A 44200-037	REV	ECO	DATE	APP
		A	103653	07-29-17	TLM

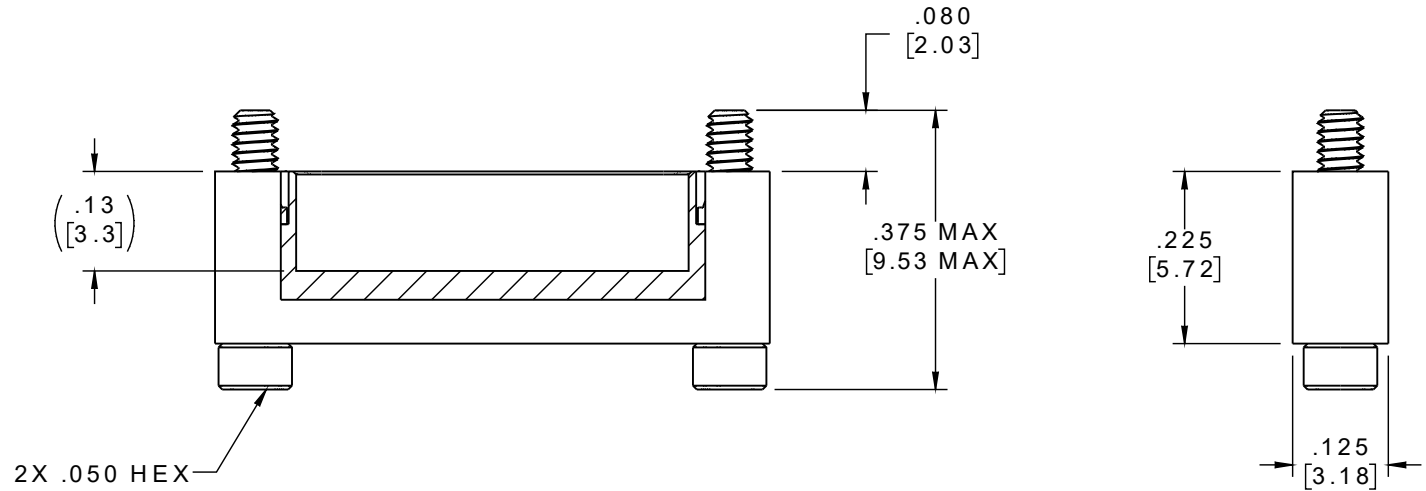
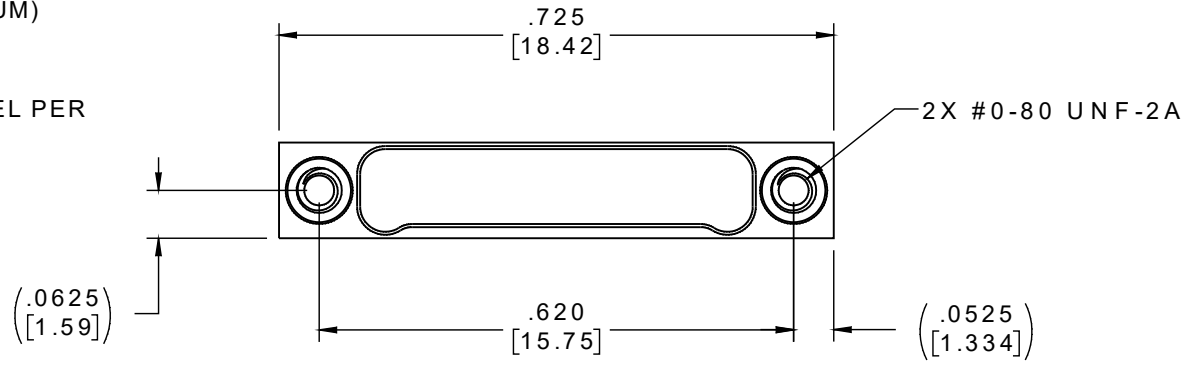
MATERIAL:

SHELL:
 ALUMINUM 6061-T6,
 NICKEL PLATE (500
 MICROINCHES MINIMUM)
 PER SAE-AMS-2404

HARDWARE:
 303 STAINLESS STEEL PER
 ASTM 582



ACTUAL SIZE



NOTE:
 DIMENSIONS IN [] ARE IN
 MILLIMETERS UNLESS
 OTHERWISE NOTED AND ARE
 FOR REFERENCE ONLY

SHEET	THIRD ANGLE	THIS DRAWING CONTAINS CONFIDENTIAL AND PROPRIETARY INFORMATION WHICH IS THE PROPERTY OF OMNETICS CONNECTOR CORP. THIS DOCUMENT MAY NOT, IN WHOLE OR IN PART, BE DUPLICATED, OR DISCLOSED FOR ANY PURPOSE, WITHOUT WRITTEN PERMISSION FROM OMNETICS CONNECTOR CORP.			OMNETICS CONNECTOR CORPORATION 7260 COMMERCE CIRCLE EAST MINNEAPOLIS, MN 55432 WWW.OMNETICS.COM	CAGE CODE 61873		
	-TOLERANCES- UNLESS OTHERWISE NOTED		DFTM. TLM	DATE 07-10-17		TITLE: DUST COVER MALE Bi-Lobe® (37) POSITION	DWG NO. A44200-037	
	DIMENSIONS IN INCHES		CHK'D.	DATE			SHEET 1 OF 1	
	2 PL DEC ± .01 3 PL DEC ± .005 4 PL DEC ± .0005 ANGLES ± 1°		APP'D.	DATE			REV A	SCALE: 4:1