

PART NO.	A44200-015	REV	ECO	DATE	APP
		A	103653	07-2917	TLM

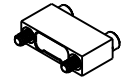
MATERIAL:

SHELL:

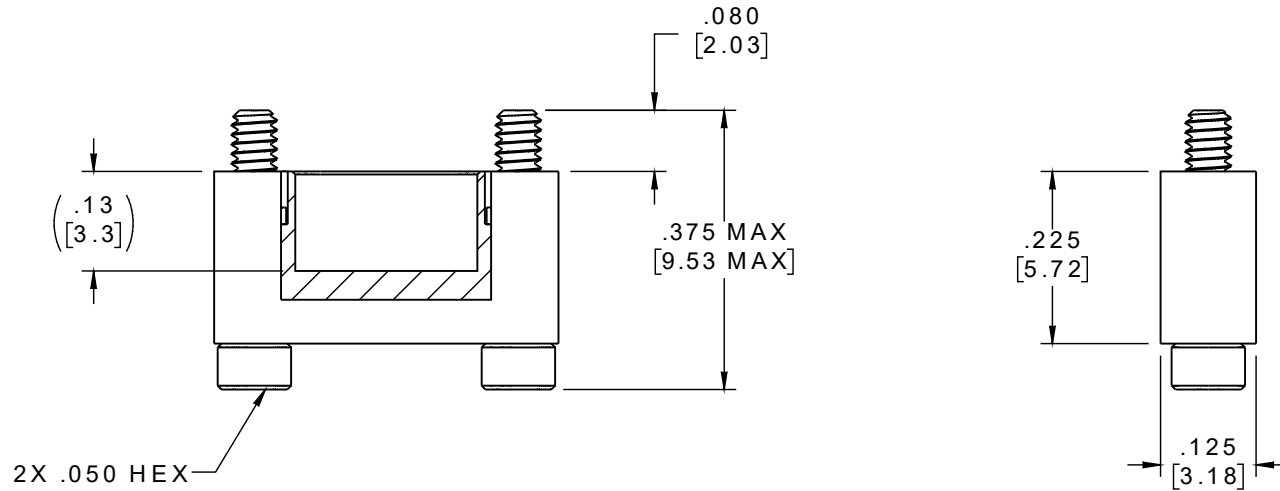
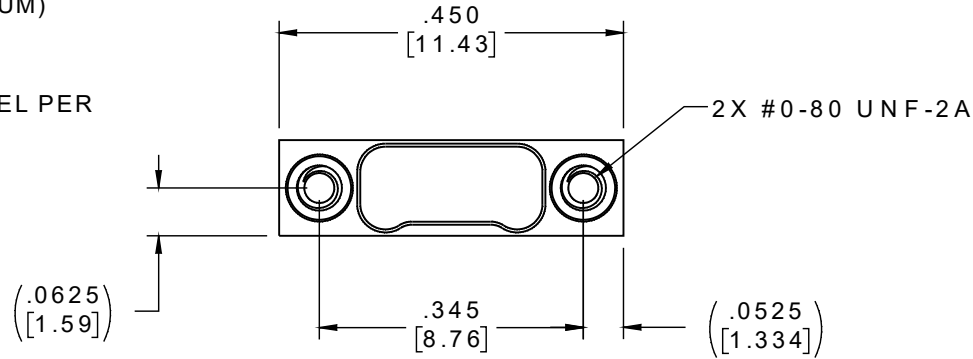
ALUMINUM 6061-T6,
NICKEL PLATE (500
MICROINCHES MINIMUM)
PER SAE-AMS-2404

HARDWARE:

303 STAINLESS STEEL PER
ASTM 582



ACTUAL SIZE



NOTE:

DIMENSIONS IN [] ARE IN
MILLIMETERS UNLESS
OTHERWISE NOTED AND ARE
FOR REFERENCE ONLY

SHEET	THIRD ANGLE	THIS DRAWING CONTAINS CONFIDENTIAL AND PROPRIETARY INFORMATION WHICH IS THE PROPERTY OF OMNETICS CONNECTOR CORP. THIS DOCUMENT MAY NOT, IN WHOLE OR IN PART, BE DUPLICATED, OR DISCLOSED FOR ANY PURPOSE, WITHOUT WRITTEN PERMISSION FROM OMNETICS CONNECTOR CORP.			OMNETICS CONNECTOR CORPORATION 7260 COMMERCE CIRCLE EAST MINNEAPOLIS, MN 55432 WWW.OMNETICS.COM	CAGE CODE 61873		
	-TOLERANCES- UNLESS OTHERWISE NOTED DIMENSIONS IN INCHES		DFTM. TLM	DATE 07-10-17		TITLE: DUST COVER MALE Bi-Lobe® (15) POSITION	DWG NO. A44200-015	
	2 PL DEC ± .01	3 PL DEC ± .005	CHK'D.	DATE			SHEET 1 OF 1	REV
	4 PL DEC ± .0005	ANGLES ± 1°	APP'D.	DATE			SCALE: 4:1	A