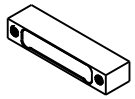
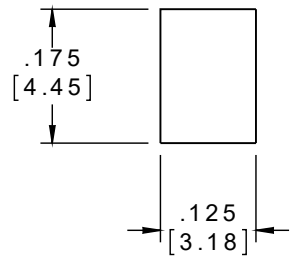
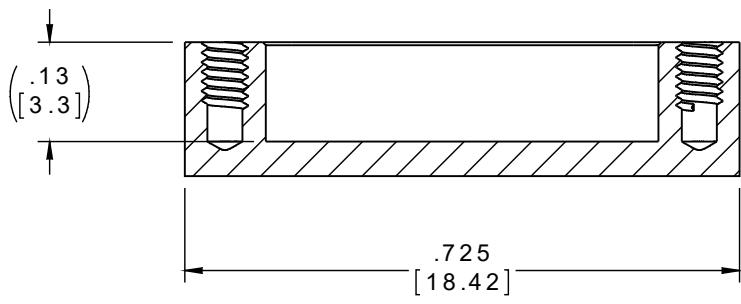
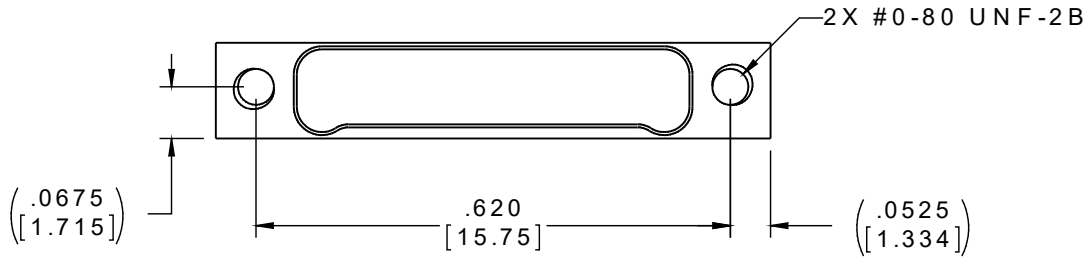


PART NO.	A42029-037	REV	ECO	DATE	APP
		A	99172	01-03-13	TLM



ACTUAL SIZE



- NOTES:
1. MATERIAL: ALUMINUM ALLOY 6061-T6
  2. ELECTROLESS NICKEL PER SAE-AMS-2404
  3. DIMENSIONS IN [ ] ARE IN MILLIMETERS UNLESS OTHERWISE NOTED AND ARE FOR REFERENCE ONLY

ASDW	THIRD ANGLE	THIS DRAWING CONTAINS CONFIDENTIAL AND PROPRIETARY INFORMATION WHICH IS THE PROPERTY OF OMNETICS CONNECTOR CORP. THIS DOCUMENT MAY NOT, IN WHOLE OR IN PART, BE DUPLICATED, OR DISCLOSED FOR ANY PURPOSE, WITHOUT WRITTEN PERMISSION FROM OMNETICS CONNECTOR CORP.		
	-TOLERANCES-	DFTM. DGJ	DATE	TITLE:
	UNLESS OTHERWISE NOTED	CHK'D.	DATE	MALE Bi-Lobe®
	DIMENSIONS IN INCHES	APP'D.	DATE	(37) POSITION

**OMNETICS**  
CONNECTOR CORPORATION  
7260 COMMERCE CIRCLE EAST  
MINNEAPOLIS, MN 55432  
WWW.OMNETICS.COM

CAGE CODE 61873	
DWG NO. A42029-037	
SHEET 1 OF 1	REV A
SCALE: 4:1	