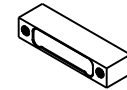
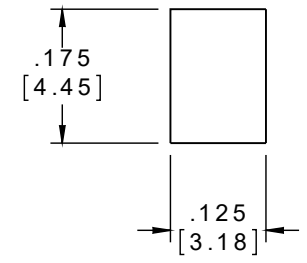
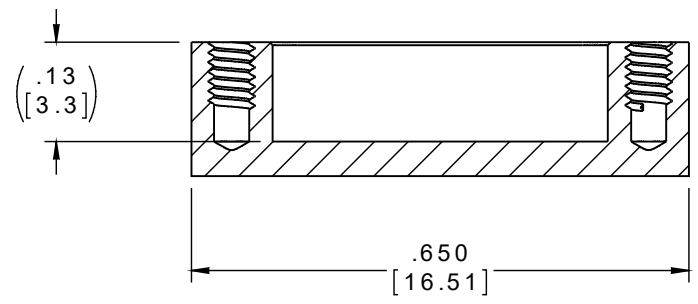
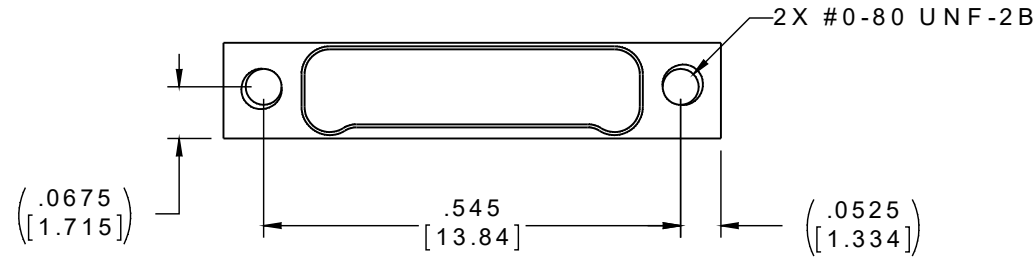


PART NO.	A42029-031	REV	ECO	DATE	APP
		A	99172	01-03-13	TLM



ACTUAL SIZE



NOTES:

1. MATERIAL: ALUMINUM ALLOY 6061-T6
2. ELECTROLESS NICKEL PER SAE-AMS-2404
3. DIMENSIONS IN [] ARE IN MILLIMETERS UNLESS OTHERWISE NOTED AND ARE FOR REFERENCE ONLY

MFG'S	THIRD ANGLE	THIS DRAWING CONTAINS CONFIDENTIAL AND PROPRIETARY INFORMATION WHICH IS THE PROPERTY OF OMNETICS CONNECTOR CORP. THIS DOCUMENT MAY NOT, IN WHOLE OR IN PART, BE DUPLICATED, OR DISCLOSED FOR ANY PURPOSE, WITHOUT WRITTEN PERMISSION FROM OMNETICS CONNECTOR CORP.		<p>7260 COMMERCE CIRCLE EAST MINNEAPOLIS, MN 55432 WWW.OMNETICS.COM</p>	CAGE CODE 61873		
	-TOLERANCES- UNLESS OTHERWISE NOTED	DFTM. DGJ	DATE 11-01-12		TITLE: DUST COVER MALE Bi-Lobe® (31) POSITION	DWG NO. A42029-031	
	DIMENSIONS IN INCHES	CHK'D.	DATE			SHEET 1 OF 1	
	2 PL DEC ± .01 3 PL DEC ± .005 4 PL DEC ± .0005 ANGLES ± 1°	APP'D.	DATE			REV A	SCALE: 4:1