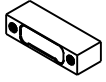
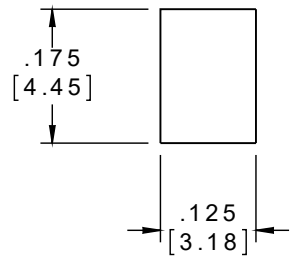
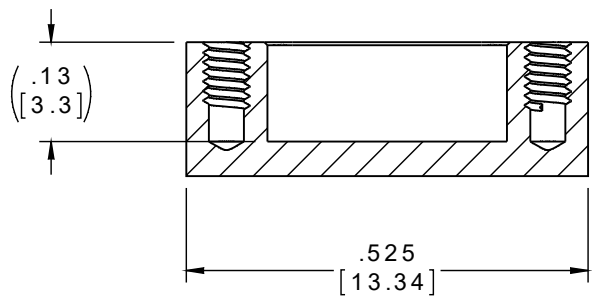
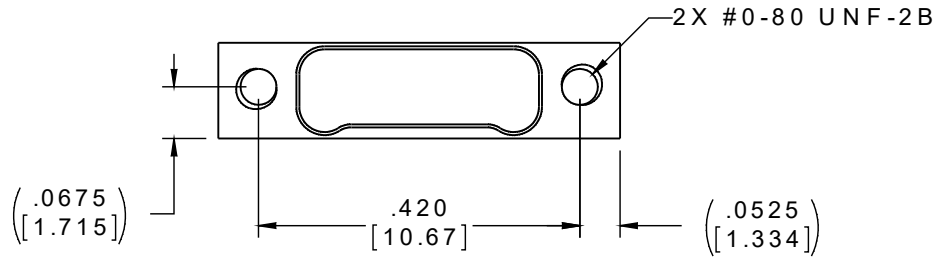


PART NO.	A42029-021	REV	ECO	DATE	APP
		A	99172	01-03-13	TLM



ACTUAL SIZE



NOTES:

1. MATERIAL: ALUMINUM ALLOY 6061-T6
2. ELECTROLESS NICKEL PER SAE-AMS-2404
3. DIMENSIONS IN [ ] ARE IN MILLIMETERS UNLESS OTHERWISE NOTED AND ARE FOR REFERENCE ONLY

MFG'S	THIRD ANGLE	THIS DRAWING CONTAINS CONFIDENTIAL AND PROPRIETARY INFORMATION WHICH IS THE PROPERTY OF OMNETICS CONNECTOR CORP. THIS DOCUMENT MAY NOT, IN WHOLE OR IN PART, BE DUPLICATED, OR DISCLOSED FOR ANY PURPOSE, WITHOUT WRITTEN PERMISSION FROM OMNETICS CONNECTOR CORP.	DATE	TITLE:
	-TOLERANCES-		DATE	DUST COVER MALE Bi-Lobe® (21) POSITION
	UNLESS OTHERWISE NOTED		DATE	
	DIMENSIONS IN INCHES		DATE	
2 PL DEC ± .01	DFTM. DGJ	11-01-12		
3 PL DEC ± .005	CHK'D.			
4 PL DEC ± .0005	APP'D.			
ANGLES ± 1°				

**OMNETICS**  
CONNECTOR CORPORATION  
7260 COMMERCE CIRCLE EAST  
MINNEAPOLIS, MN 55432  
WWW.OMNETICS.COM

CAGE CODE 61873	
DWG NO. A42029-021	
SHEET 1 OF 1	REV A
SCALE: 4:1	