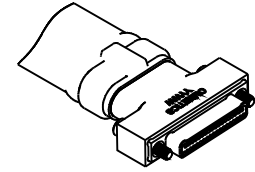
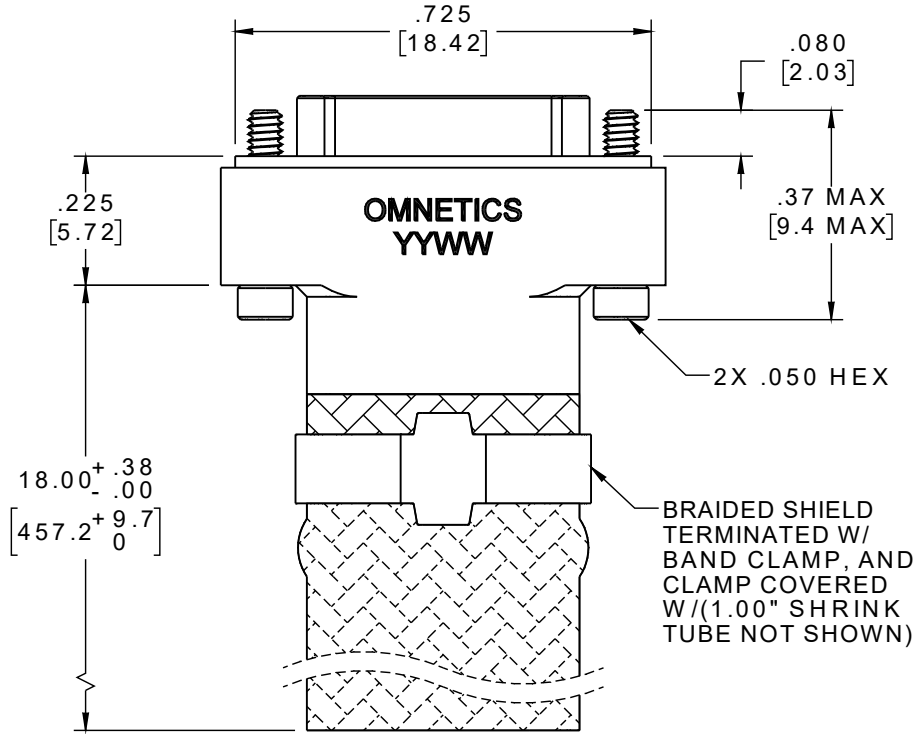
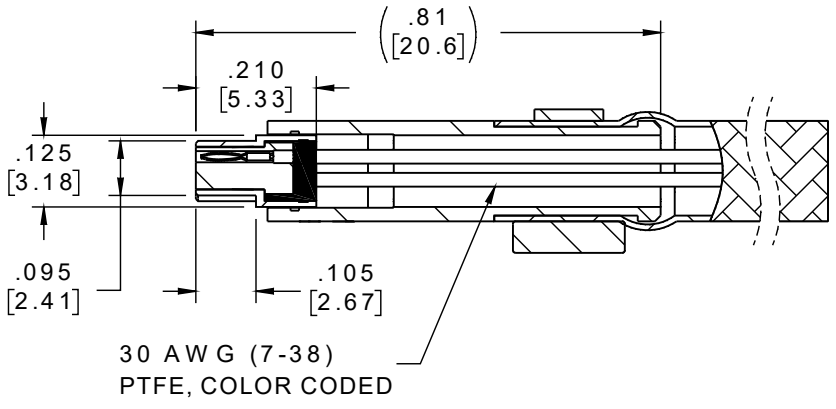
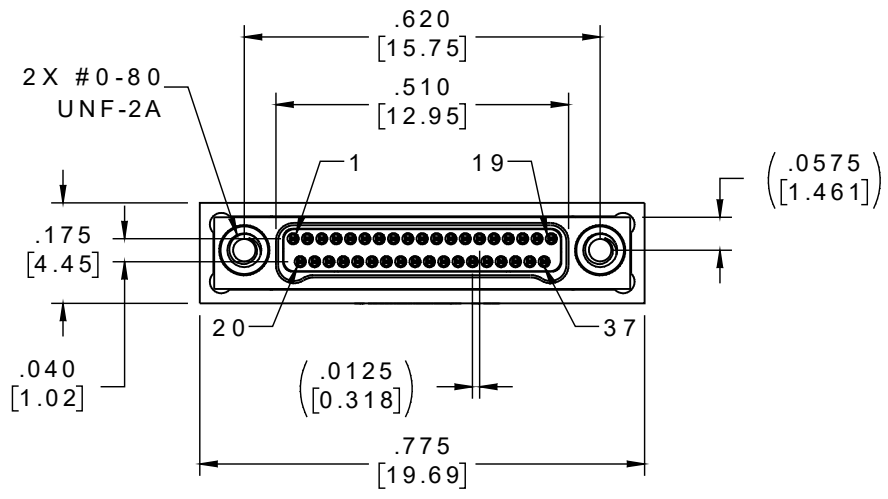


| | | | | | |
|----------|------------|-----|--------|----------|-----|
| PART NO. | A43090-037 | REV | ECO | DATE | APP |
| | | B | 103829 | 10-04-17 | TLM |



ACTUAL SIZED EXCLUDING WIRE & BRAID LENGTH

REF: OMNETICS

NOTE:
DIMENSIONS IN [] ARE IN MILLIMETERS UNLESS OTHERWISE NOTED AND ARE FOR REFERENCE ONLY

| | | | |
|-----------|--|--|---------------|
| MNP/SLD/W | THIRD ANGLE | THIS DRAWING CONTAINS CONFIDENTIAL AND PROPRIETARY INFORMATION WHICH IS THE PROPERTY OF OMNETICS CONNECTOR CORP. THIS DOCUMENT MAY NOT, IN WHOLE OR IN PART, BE DUPLICATED, OR DISCLOSED FOR ANY PURPOSE, WITHOUT WRITTEN PERMISSION FROM OMNETICS CONNECTOR CORP. | |
| | -TOLERANCES- UNLESS OTHERWISE NOTED DIMENSIONS IN INCHES | DFTM. EDG | DATE 08-21-17 |
| | 2 PL DEC ± .01 | CHK'D. | DATE |
| | 3 PL DEC ± .005 | APP'D. | DATE |
| | 4 PL DEC ± .0005 | | |
| | ANGLES ± 1° | | |

OMNETICS
CONNECTOR CORPORATION
7260 COMMERCE CIRCLE EAST
MINNEAPOLIS, MN 55432
WWW.OMNETICS.COM

| | |
|--------------------|-------|
| CAGE CODE 61873 | |
| DWG NO. A43090-037 | |
| SHEET 1 OF 2 | REV B |
| SCALE: 3:1 | |