

# MATERIALS & SPECIFICATIONS

## HOUSING & BACKSHELL:

ALUMINUM 6061, NICKEL PLATE (500 MICROINCHES MINIMUM) PER SAE-AMS-2404

## INSULATOR:

LIQUID CRYSTAL POLYMER (LCP) PER ASTM D5138

## CONTACT:

BERYLLIUM COPPER PER ASTM B194, C17200, GOLD PLATED PER ASTM B488, (HARD GOLD) TYPE II CODE C, CLASS 1.27

## WIRE:

NEMA HP3 TYPE ET, COLOR CODED IAW MIL-STD-681, SYSTEM 1, USING TEN SOLID REPEATING COLORS

## BAND-IT CLAMP:

300 SERIES SST/PASSIVATE

## HARDWARE:

303 STAINLESS STEEL PER ASTM 582

## BRAID:

TINNED COPPER PER MIL SPEC PER QQ-B-575 & OR A-A-59569

## SHRINK TUBE:

PER MIL-1-23053/5 CLASS 1

## CURRENT RATING:

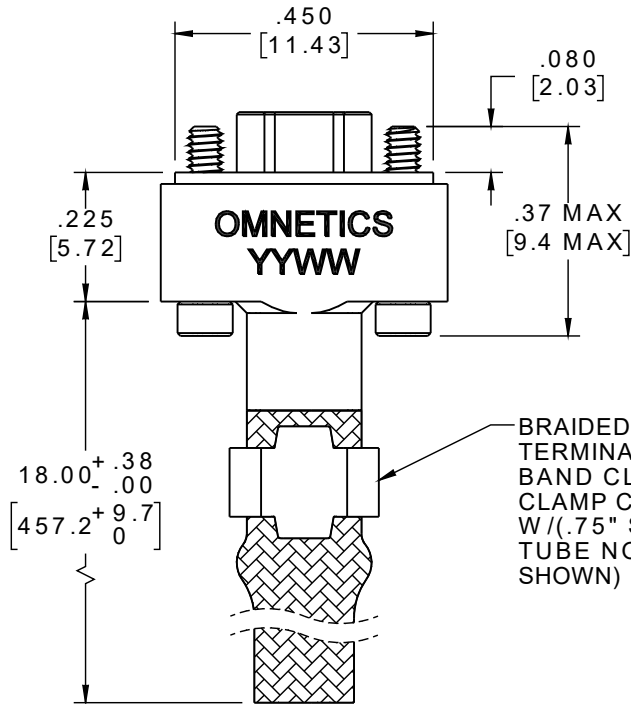
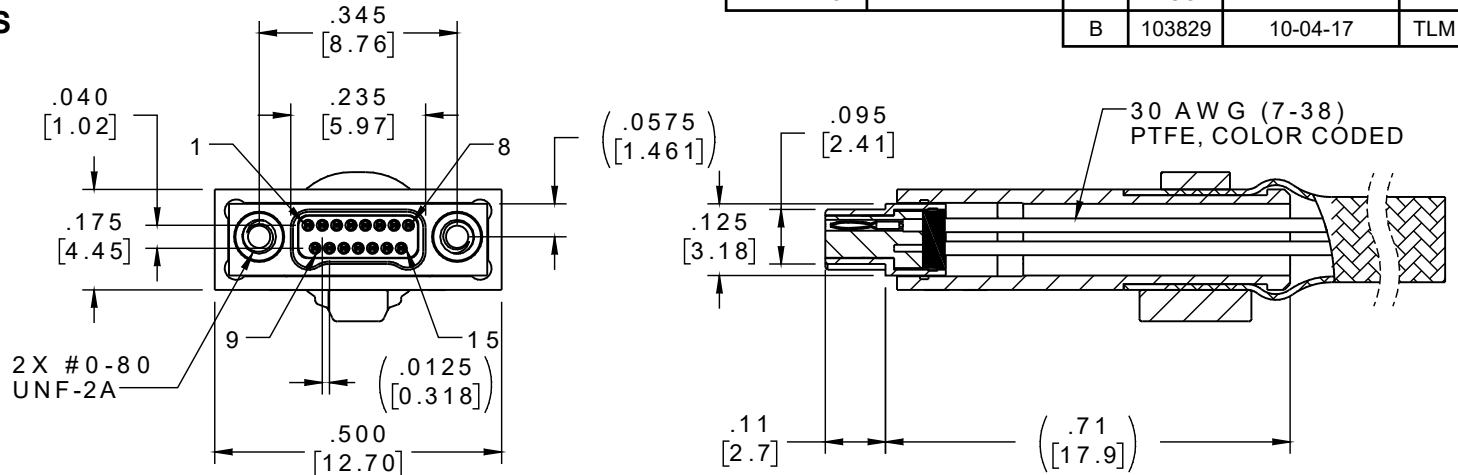
1 AMP MAX PER MIL-DTL-32139

## CONTACT RESISTANCE:

71 MILLIOHM MAX (71mV DROP MAX) @ 1.0 AMPS PER MIL-DTL-32139

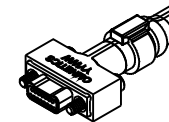
## PERFORMANCE:

PRODUCT FAMILY TESTED TO AND PASSED THE PERFORMANCE SPECIFICATIONS OF TABLE VIII OF MIL-DTL-32139



PIN #	COLOR
1, 11	BLACK
2, 12	BROWN
3, 13	RED
4, 14	ORANGE
5, 15	YELLOW
6	GREEN
7	BLUE
8	VIOLET
9	GRAY
10	WHITE

INTERNAL USE ONLY  
USE MFG LOADING  
PROCEDURE A28000-015



ACTUAL SIZED  
EXCLUDING WIRE  
& BRAID LENGTH

NOTE:

DIMENSIONS IN [ ] ARE IN MILLIMETERS UNLESS OTHERWISE NOTED AND ARE FOR REFERENCE ONLY

MNP/D SLD/W	THIRD ANGLE
	-TOLERANCES-
	UNLESS OTHERWISE NOTED
	DIMENSIONS IN INCHES
2 PL DEC ± .01	
3 PL DEC ± .005	
4 PL DEC ± .0005	
ANGLES ± 1°	

THIS DRAWING CONTAINS CONFIDENTIAL AND PROPRIETARY INFORMATION WHICH IS THE PROPERTY OF OMNETICS CONNECTOR CORP. THIS DOCUMENT MAY NOT, IN WHOLE OR IN PART, BE DUPLICATED, OR DISCLOSED FOR ANY PURPOSE, WITHOUT WRITTEN PERMISSION FROM OMNETICS CONNECTOR CORP.	
DFTM. MPA	DATE 03-27-15
CHK'D.	DATE
APP'D.	DATE
TITLE: (15) PIN MALE Bi-Lobe® W/JACKSCREWS AND BACKSHELL	

**OMNETICS**  
CONNECTOR CORPORATION  
7260 COMMERCE CIRCLE EAST  
MINNEAPOLIS, MN 55432  
WWW.OMNETICS.COM

CAGE CODE 61873	
DWG NO. A43090-015	
SHEET 1 OF 1	REV B
SCALE: 3:1	