

MATERIALS & SPECIFICATIONS

PART NO.	A43090-009	REV	ECO	DATE	APP
		B	103829	10-04-17	TLM

HOUSING & BACKSHELL:
ALUMINUM 6061, NICKEL PLATE (500 MICRINCHES MINIMUM) PER SAE-AMS-2404

INSULATOR:
LIQUID CRYSTAL POLYMER (LCP) PER ASTM D5138

CONTACT:
BERYLLIUM COPPER PER ASTM B194, C17200, GOLD PLATED PER ASTM B488, (HARD GOLD) TYPE II CODE C, CLASS 1.27

WIRE:
NEMA HP3 TYPE ET, COLOR CODED IAW MIL-STD-681, SYSTEM 1, USING TEN SOLID REPEATING COLORS

BAND-IT CLAMP:
300 SERIES SST/PASSIVATE

HARDWARE:
303 STAINLESS STEEL PER ASTM 582

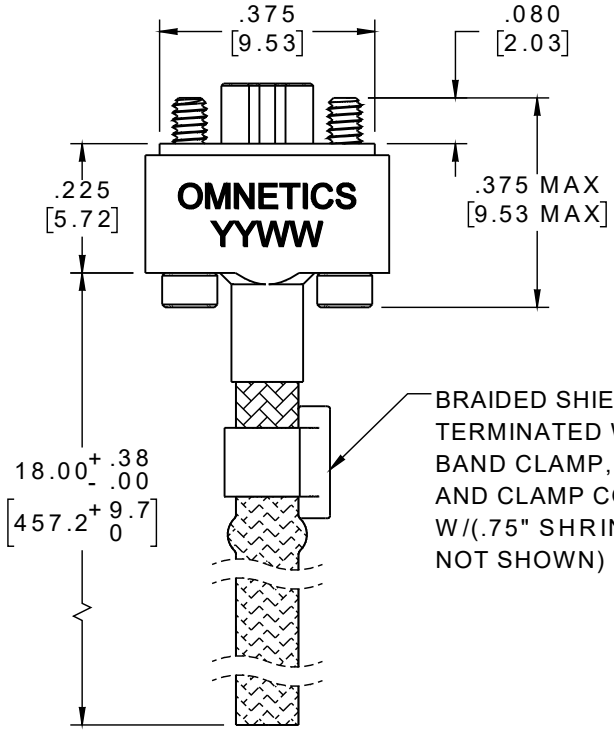
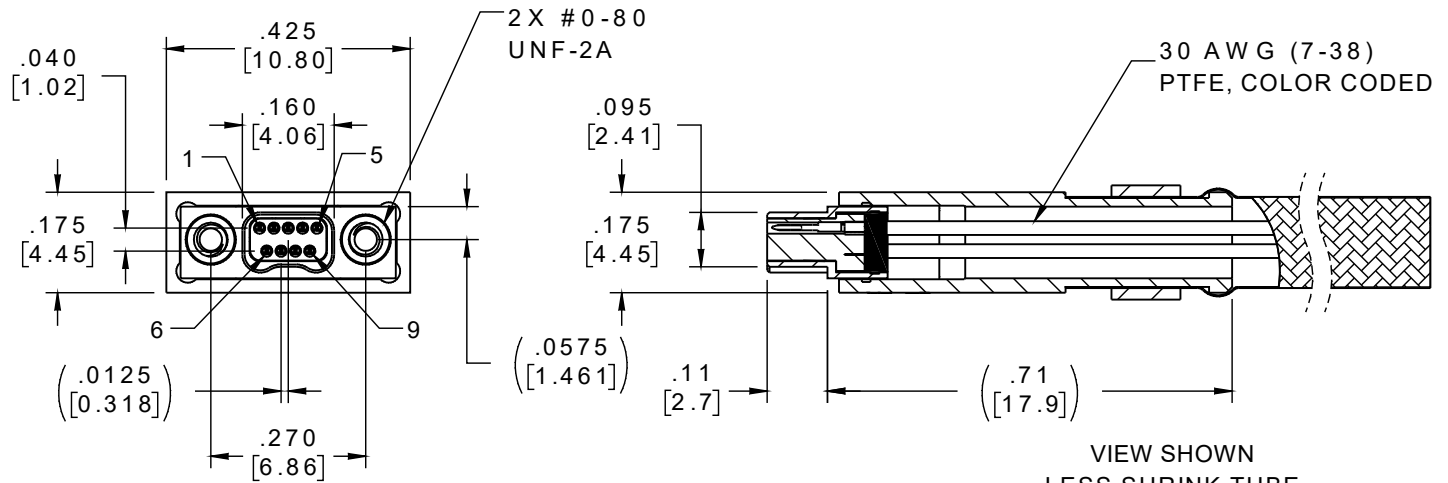
BRAID:
TINNED COPPER PER MIL SPEC PER QQ-B-575 & OR A-A-59569

SHRINK TUBE:
PER MIL-1-23053/5 CLASS 1

CURRENT RATING:
1 AMP MAX PER MIL-DTL-32139

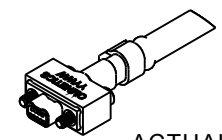
CONTACT RESISTANCE:
71 MILLIOHM MAX (71mV DROP MAX) @ 1.0 AMPS PER MIL-DTL-32139

PERFORMANCE:
PRODUCT FAMILY TESTED TO AND PASSED THE PERFORMANCE SPECIFICATIONS OF TABLE VIII OF MIL-DTL-32139



PIN #	COLOR
1	BLACK
2	BROWN
3	RED
4	ORANGE
5	YELLOW
6	GREEN
7	BLUE
8	VIOLET
9	GRAY

INTERNAL USE ONLY
USE MFG LOADING
PROCEDURE A28000-009



ACTUAL SIZE
EXCLUDING WIRE AND
BRAID LENGTH

NOTE:

DIMENSIONS IN [] ARE IN MILLIMETERS UNLESS OTHERWISE NOTED AND ARE FOR REFERENCE ONLY

MINIPO SLDW	THIRD ANGLE	THIS DRAWING CONTAINS CONFIDENTIAL AND PROPRIETARY INFORMATION WHICH IS THE PROPERTY OF OMNETICS CONNECTOR CORP. THIS DOCUMENT MAY NOT, IN WHOLE OR IN PART, BE DUPLICATED, OR DISCLOSED FOR ANY PURPOSE, WITHOUT WRITTEN PERMISSION FROM OMNETICS CONNECTOR CORP.		<h1>OMNETICS</h1> <p>CONNECTOR CORPORATION 7260 COMMERCE CIRCLE EAST MINNEAPOLIS, MN 55432 WWW.OMNETICS.COM</p>	CAGE CODE 61873		
	-TOLERANCES-	DFTM. TLM	DATE 03-02-17		TITLE:	DWG NO. A43090-009	
	UNLESS OTHERWISE NOTED	CHK'D.	DATE		(9) PIN MALE	SHEET 1 OF 1	
	DIMENSIONS IN INCHES	APP'D.	DATE		Bi-Lobe® CONNECTOR W/BACKSHELL	REV B	SCALE: 3:1