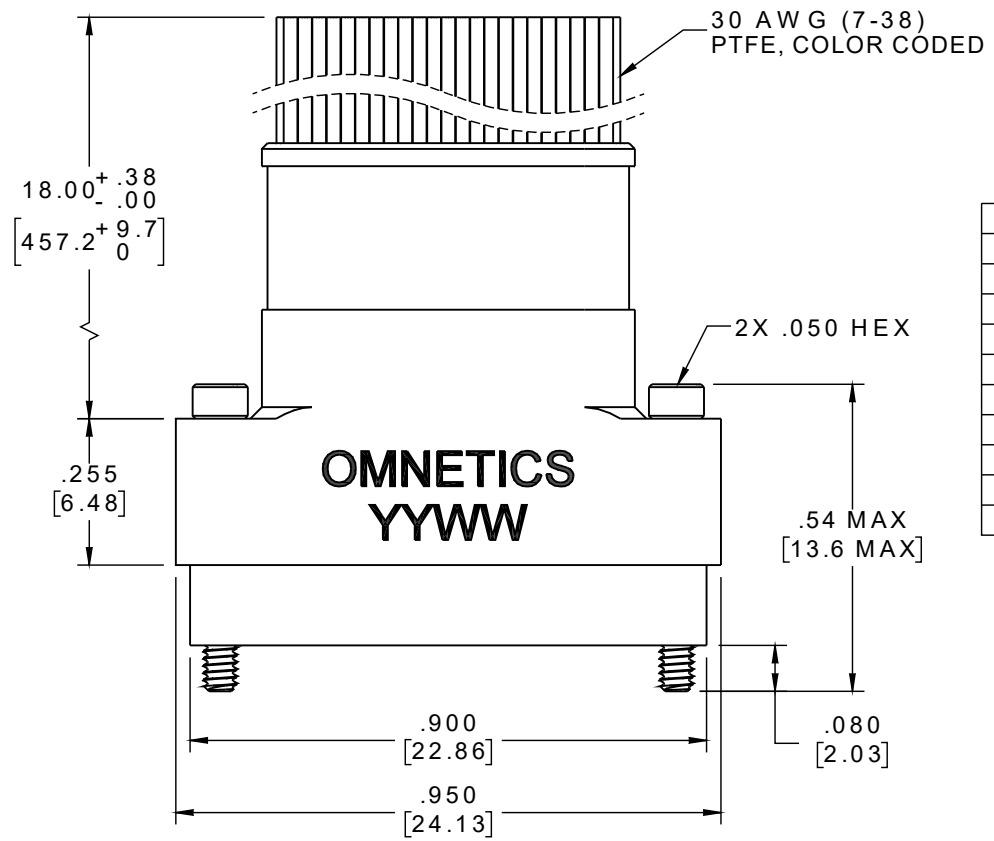
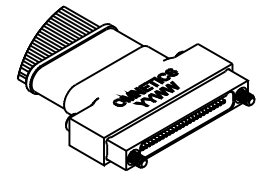


PART NO.	A29111-151	REV	ECO	DATE	APP
		A	104308	03-07-18	HV

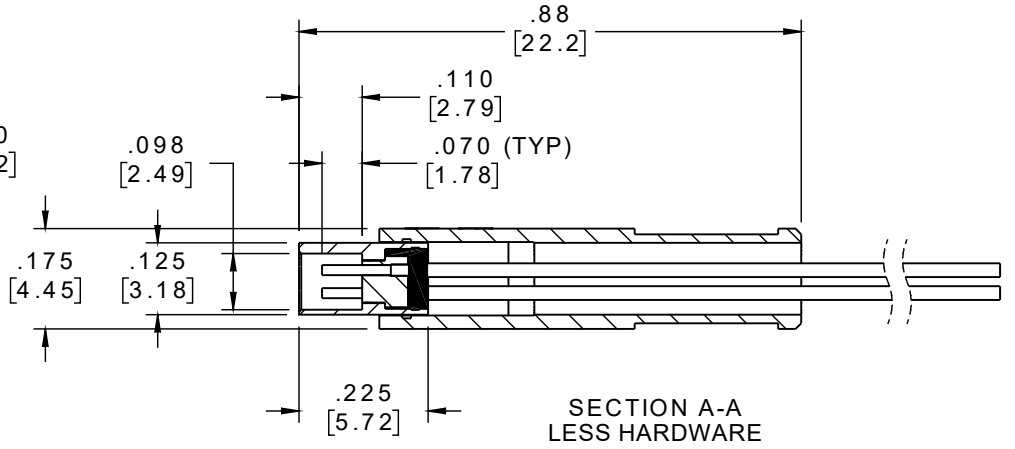
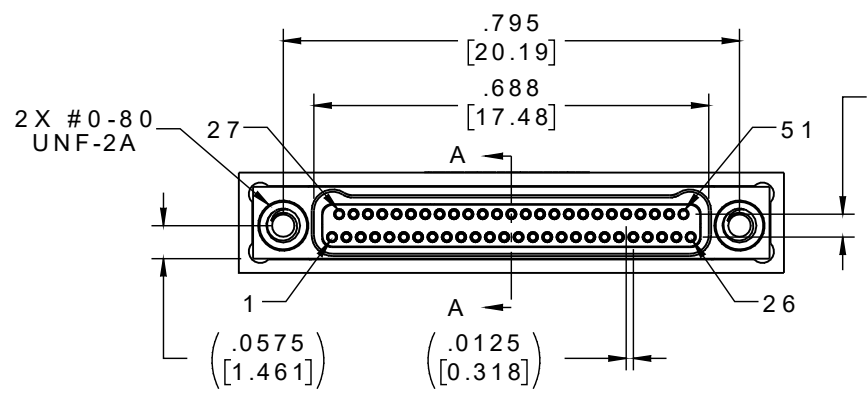


SOCKET #	COLOR
1, 11, 21, 31, 41, 51	BLACK
2, 12, 22, 32, 42	BROWN
3, 13, 23, 33, 43	RED
4, 14, 24, 34, 44	ORANGE
5, 15, 25, 35, 45	YELLOW
6, 16, 26, 36, 46	GREEN
7, 17, 27, 37, 47	BLUE
8, 18, 28, 38, 48	VIOLET
9, 19, 29, 39, 49	GRAY
10, 20, 30, 40, 50	WHITE



ACTUAL SIZE  
EXCLUDING WIRE LENGTH

INTERNAL USE ONLY  
USE MFG LOADING  
PROCEDURE A29000-151



NOTE:  
DIMENSIONS IN [ ] ARE IN MILLIMETERS UNLESS OTHERWISE NOTED AND ARE FOR REFERENCE ONLY

MNSW LOSUN SLDW	THIRD ANGLE
	-TOLERANCES- UNLESS OTHERWISE NOTED
	DIMENSIONS IN INCHES
	2 PL DEC ± .01 3 PL DEC ± .005 4 PL DEC ± .0005 ANGLES ± 1°

DFTM. HV	DATE	03-06-18
CHK'D.	DATE	
APP'D.	DATE	

TITLE:  
(51) SOCKET FEMALE  
Bi-Lobe® CONNECTOR  
W/BACKSHELL

**OMNETICS**  
CONNECTOR CORPORATION  
7260 COMMERCE CIRCLE EAST  
MINNEAPOLIS, MN 55432  
WWW.OMNETICS.COM

CAGE CODE 61873	
DWG NO. A29111-151	
SHEET 1 OF 2	REV A
SCALE: 3:1	