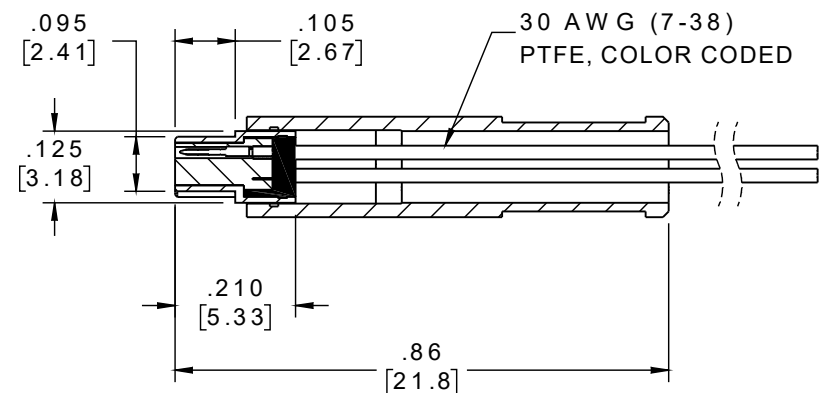
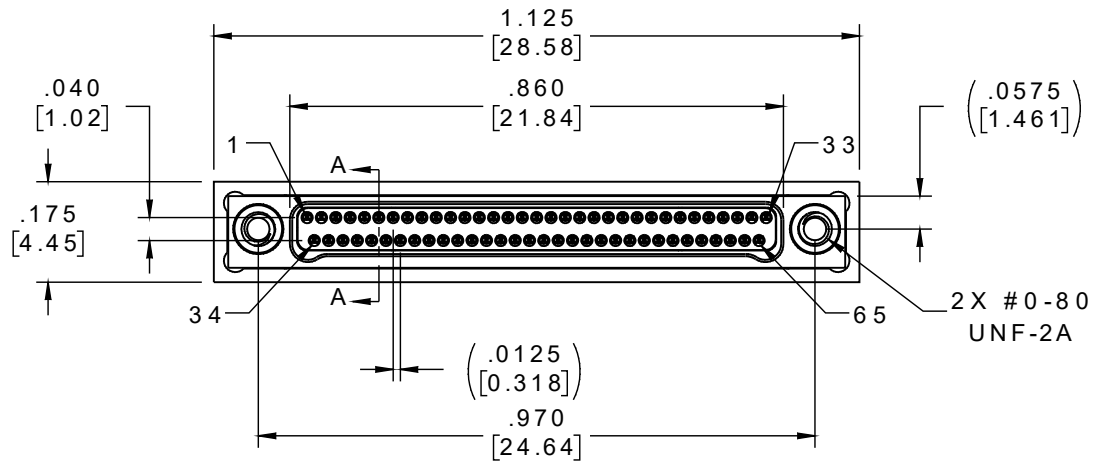
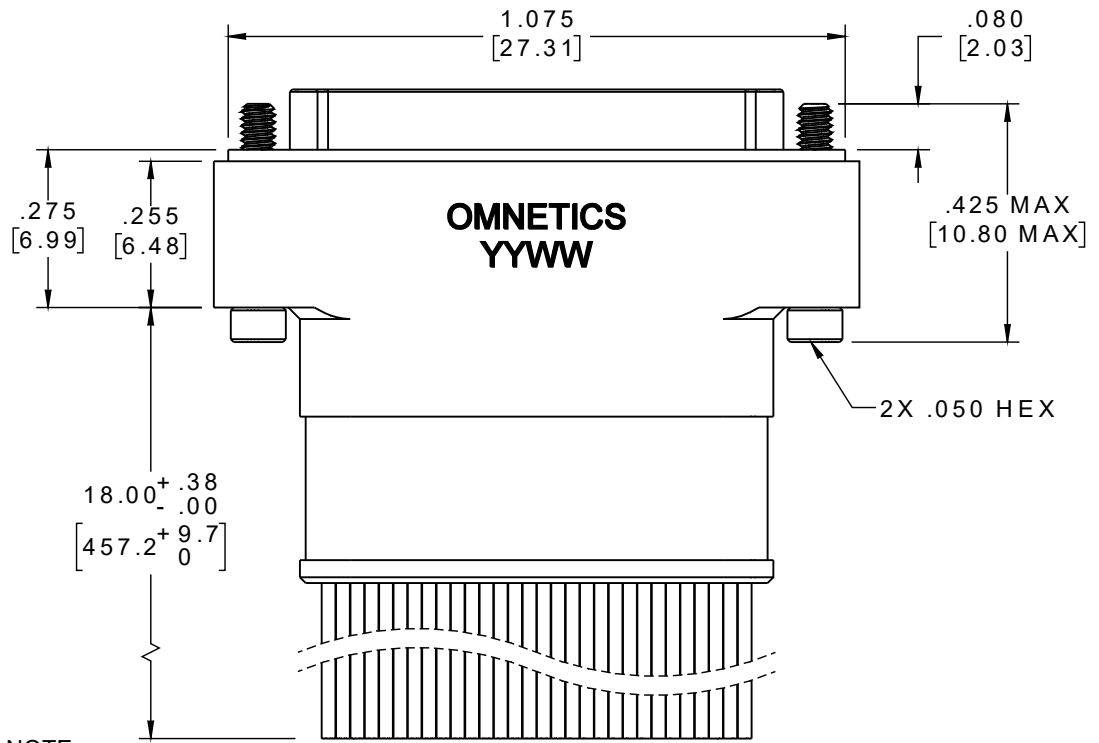


PART NO.	A28111-065	REV	ECO	DATE	APP
		A	104304	03-07-18	HV

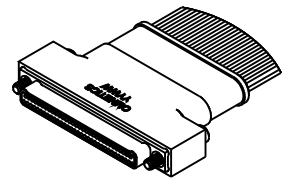


SECTION A-A



PIN #	COLOR
1, 11, 21, 31, 41, 51, 61	BLACK
2, 12, 22, 32, 42, 52, 62	BROWN
3, 13, 23, 33, 43, 53, 63	RED
4, 14, 24, 34, 44, 54, 64	ORANGE
5, 15, 25, 35, 45, 55, 65	YELLOW
6, 16, 26, 36, 46, 56	GREEN
7, 17, 27, 37, 47, 57	BLUE
8, 18, 28, 38, 48, 58	VIOLET
9, 19, 29, 39, 49, 59	GRAY
10, 20, 30, 40, 50, 60	WHITE

INTERNAL USE ONLY  
USE MFG LOADING  
PROCEDURE A28000-065



ACTUAL SIZE  
EXCLUDING WIRE LENGTH

NOTE:  
DIMENSIONS IN [ ] ARE IN MILLIMETERS UNLESS OTHERWISE NOTED AND ARE FOR REFERENCE ONLY

MNP/OSL/DW/	THIRD ANGLE	THIS DRAWING CONTAINS CONFIDENTIAL AND PROPRIETARY INFORMATION WHICH IS THE PROPERTY OF OMNETICS CONNECTOR CORP. THIS DOCUMENT MAY NOT, IN WHOLE OR IN PART, BE DUPLICATED, OR DISCLOSED FOR ANY PURPOSE, WITHOUT WRITTEN PERMISSION FROM OMNETICS CONNECTOR CORP.		<b>OMNETICS</b>	CAGE CODE 61873	
	-TOLERANCES- UNLESS OTHERWISE NOTED DIMENSIONS IN INCHES	DFTM. HV	DATE 03-02-18		TITLE:	DWG NO. A28111-065
	2 PL DEC ± .01	CHK'D.	DATE	(65) PIN MALE	CONNECTOR CORPORATION	
	3 PL DEC ± .005	APP'D.	DATE	Bi-Lobe® CONNECTOR W/BACKSHELL	7260 COMMERCE CIRCLE EAST MINNEAPOLIS, MN 55432 WWW.OMNETICS.COM	
4 PL DEC ± .0005				SHEET 1 OF 2		REV A
ANGLES ± 1°				SCALE: 3:1		