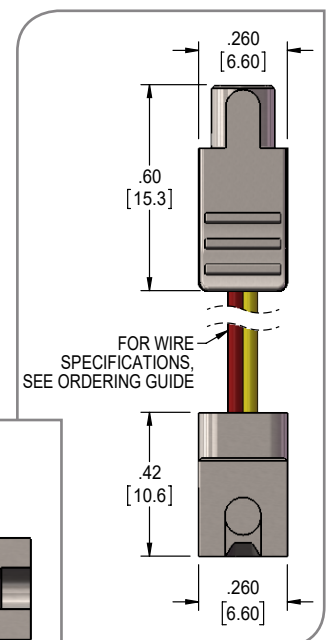
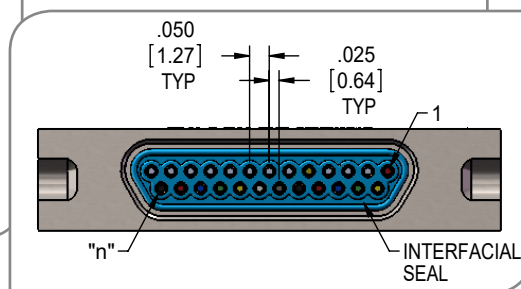
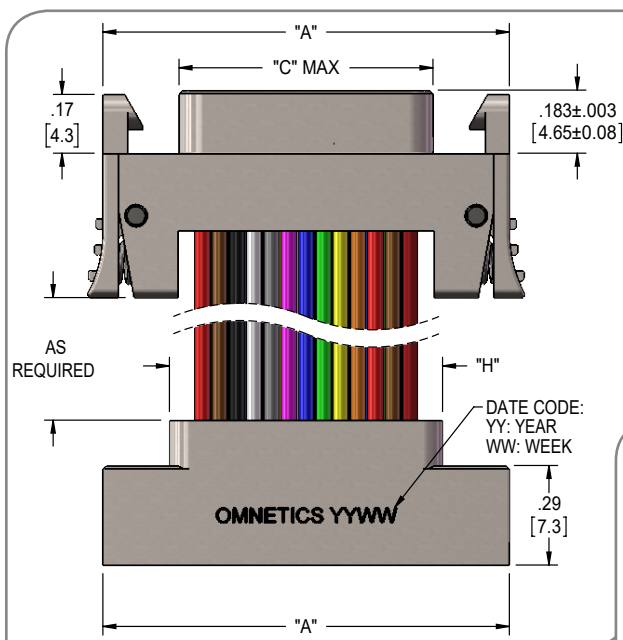
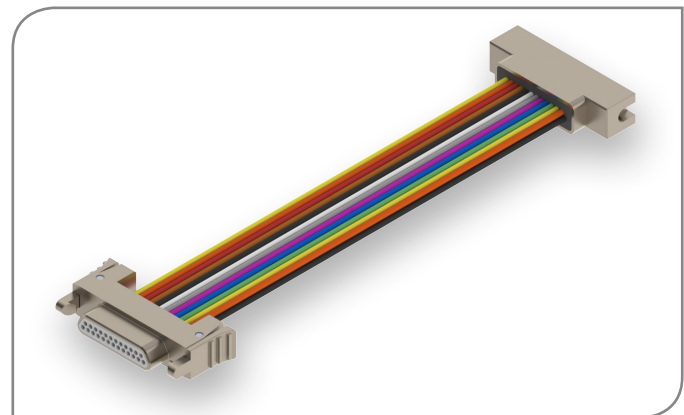
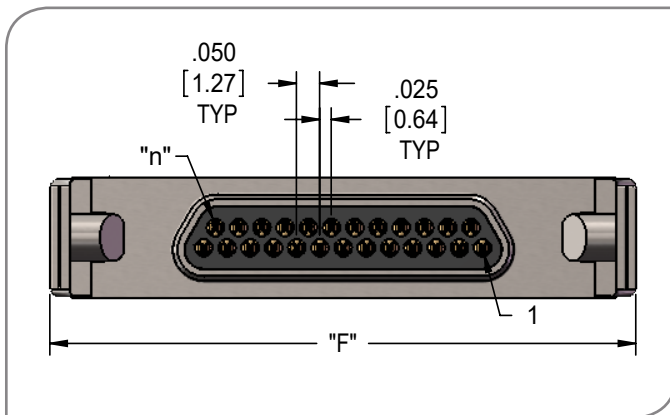


# Micro-D

# Latching Micro-D

## Latching Micro-D Jumper, Male to Female (TYPE W)



### Contacts

### English (IN)

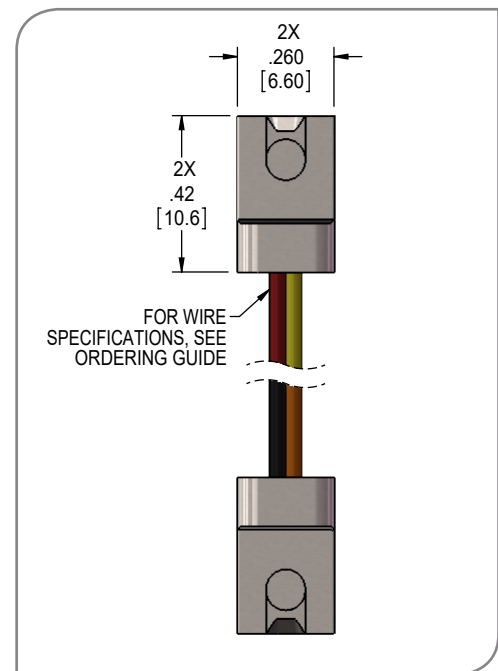
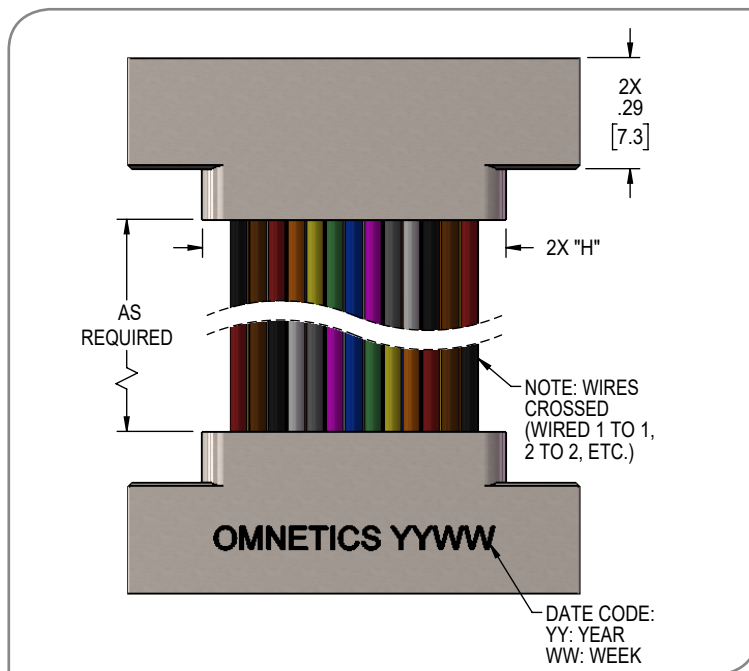
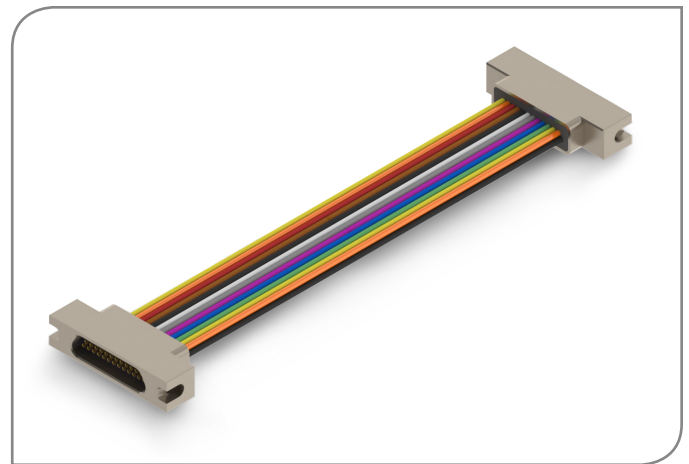
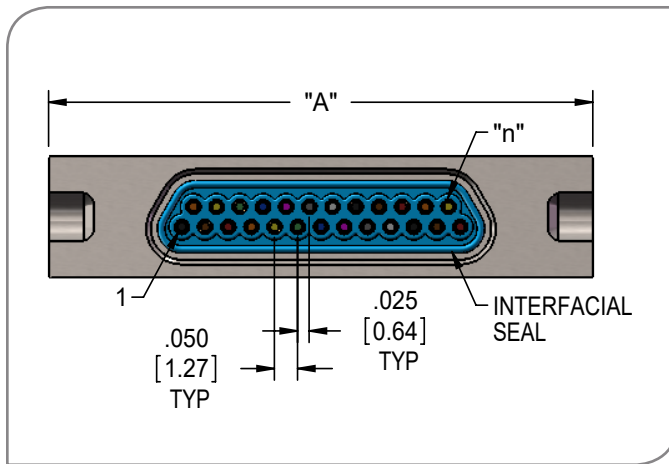
### Metric (mm)

"n"	Rows	"A"	"C"	"F"	"H"	"A"	"C"	"F"	"H"
9	2	.775	.334	.86	.390	19.7	8.50	21.8	9.91
15	2	.925	.484	1.01	.540	23.5	12.30	25.7	13.72
21	2	1.075	.634	1.16	.690	27.3	16.10	29.5	17.53
25	2	1.175	.734	1.26	.790	29.8	18.60	32.0	20.07
31	2	1.325	.884	1.41	.940	33.7	22.50	35.8	23.88
37	2	1.475	1.034	1.56	1.090	37.5	26.30	39.6	27.69
51	2	1.825	1.384	1.91	1.440	46.4	35.20	48.5	36.58

# Micro-D

# Latching Micro-D

## Latching Micro-D Jumper, Female to Female (TYPE X)



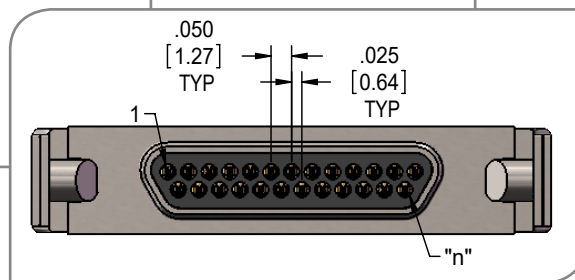
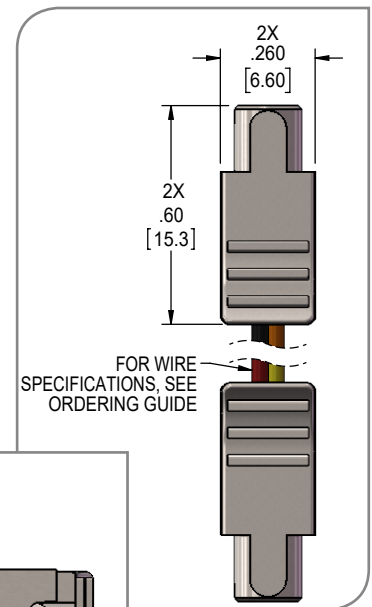
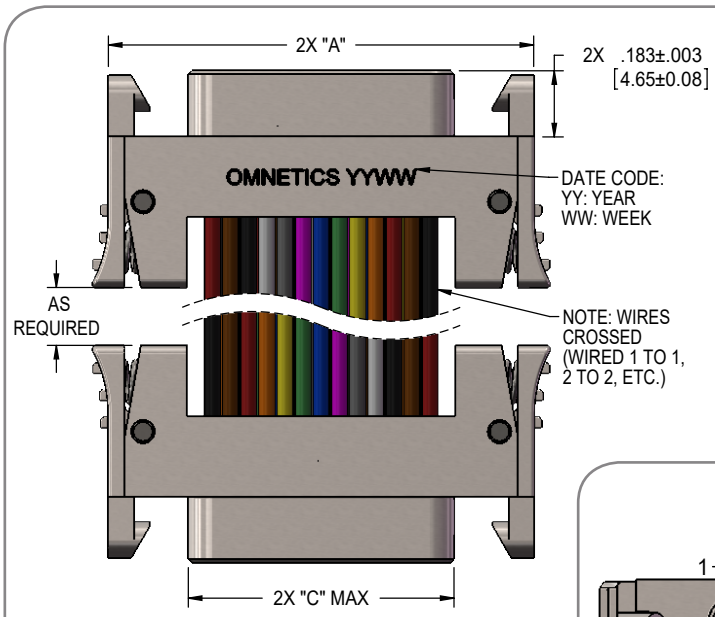
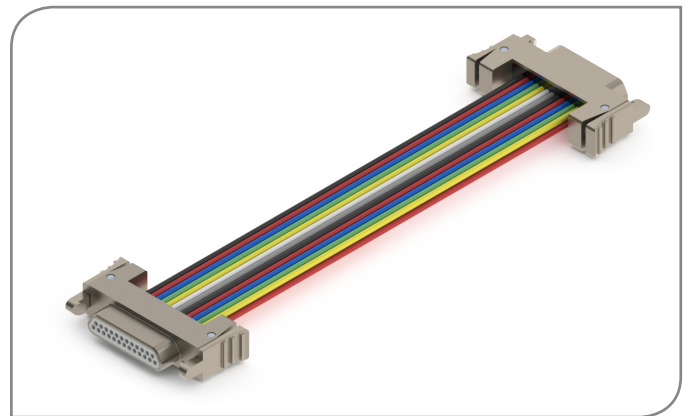
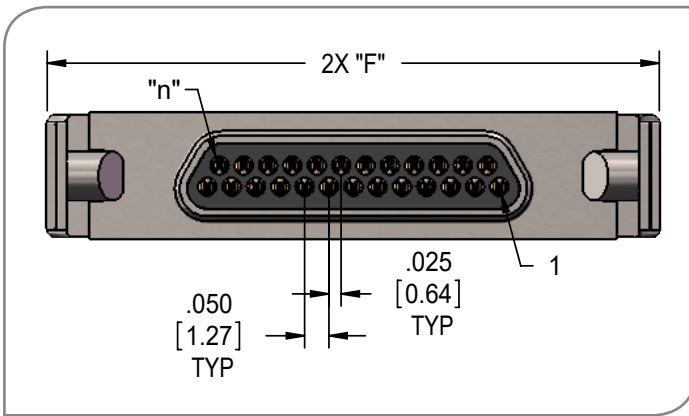
69

Contacts		English (IN)		Metric (mm)	
"n"	Rows	"A"	"H"	"A"	"H"
9	2	.775	.390	19.69	9.91
15	2	.925	.540	23.50	13.72
21	2	1.075	.690	27.31	17.53
25	2	1.175	.790	29.85	20.07
31	2	1.325	.940	33.66	23.88
37	2	1.475	1.090	37.47	27.69
51	2	1.825	1.440	46.36	36.58

# Micro-D

# Latching Micro-D

## Latching Micro-D Jumper, Male to Male (TYPE Y)



06

Contacts		English (IN)			Metric (mm)		
"n"	Rows	"A"	"C"	"F"	"A"	"C"	"F"
9	2	.775	.334	0.86	19.69	8.48	21.9
15	2	.925	.484	1.01	23.50	12.29	25.7
21	2	1.075	.634	1.16	27.31	16.10	29.5
25	2	1.175	.734	1.26	29.85	18.64	32.1
31	2	1.325	.884	1.41	33.66	22.45	35.9
37	2	1.475	1.034	1.56	37.47	26.26	39.7
51	2	1.825	1.384	1.91	46.36	35.15	48.6