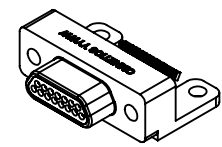
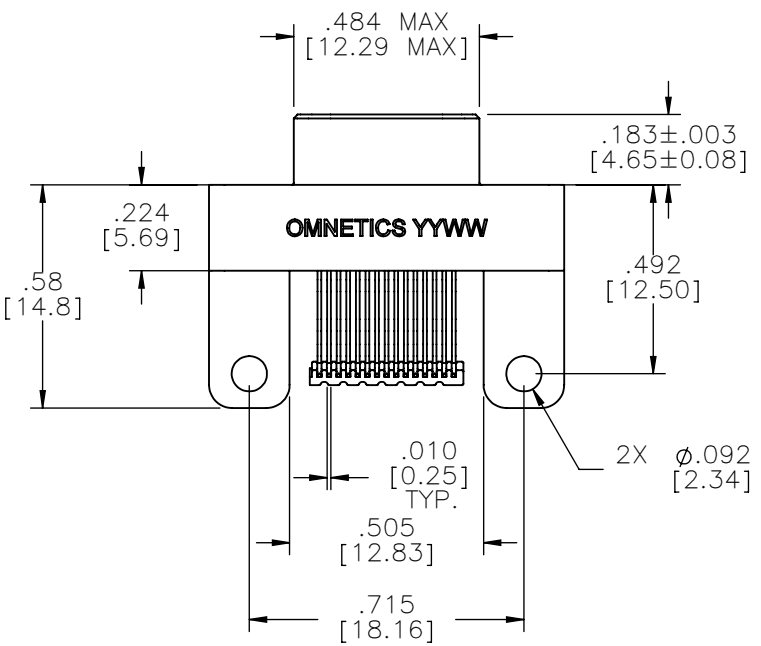
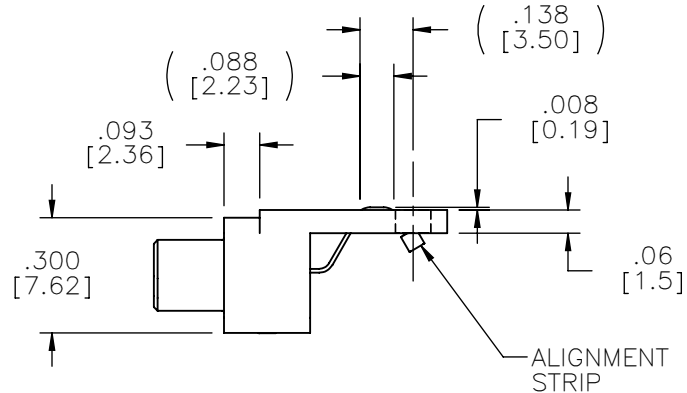
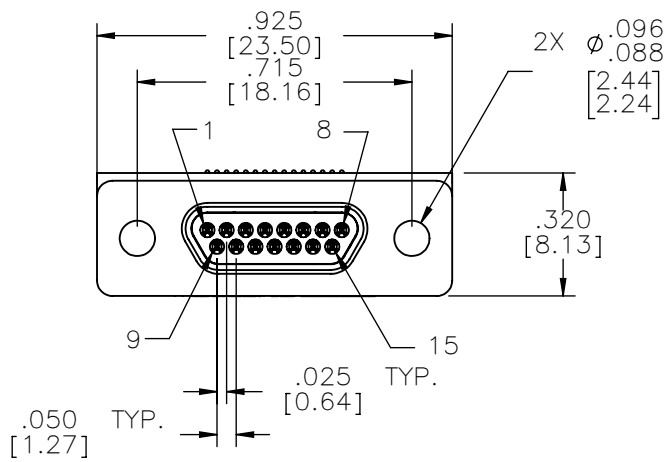


PART NO.	A98118-015	REV	ECO	DATE	APP
		A	100108	12-12-13	TLM



ACTUAL SIZE

NOTE:
DIMENSIONS IN [] ARE IN MILLIMETERS UNLESS OTHERWISE NOTED AND ARE FOR REFERENCE ONLY

MDCS SLEW	THIRD ANGLE	THIS DRAWING CONTAINS CONFIDENTIAL AND PROPRIETARY INFORMATION WHICH IS THE PROPERTY OF OMNETICS CONNECTOR CORP. THIS DOCUMENT MAY NOT, IN WHOLE OR IN PART, BE DUPLICATED, OR DISCLOSED FOR ANY PURPOSE, WITHOUT WRITTEN PERMISSION FROM OMNETICS CONNECTOR CORP.	DATE	TITLE:
	-TOLERANCES-		12-04-13	(15) PIN MALE
	UNLESS OTHERWISE NOTED		DATE	HORIZONTAL SURFACE
	DIMENSIONS IN INCHES		DATE	MOUNT MICRO-D
	2 PL DEC±.01	DFTM. TLM		
	3 PL DEC±.005	CHK'D.		
	4 PL DEC±.0005	APP'D.		
	ANGLES ± 1°			

OMNETICS CONNECTOR CORPORATION 7260 COMMERCE CIRCLE EAST MINNEAPOLIS, MN 55432 WWW.OMNETICS.COM	CAGE CODE 61873
	DWG NO. A98118-015
	SHEET 1 OF 2
	SCALE: 2:1
	REV A

PART NO.	A98118-015	REV	ECO	DATE	APP
		A	100108	12-12-13	TLM

MATERIALS

HOUSING:

ALUMINUM 6061-T6, NICKEL
PLATE PER SAE-AMS-2404

INSULATOR & ALIGNMENT STRIP:

LIQUID CRYSTAL POLYMER (LCP)
PER ASTM D5138

CONTACT:

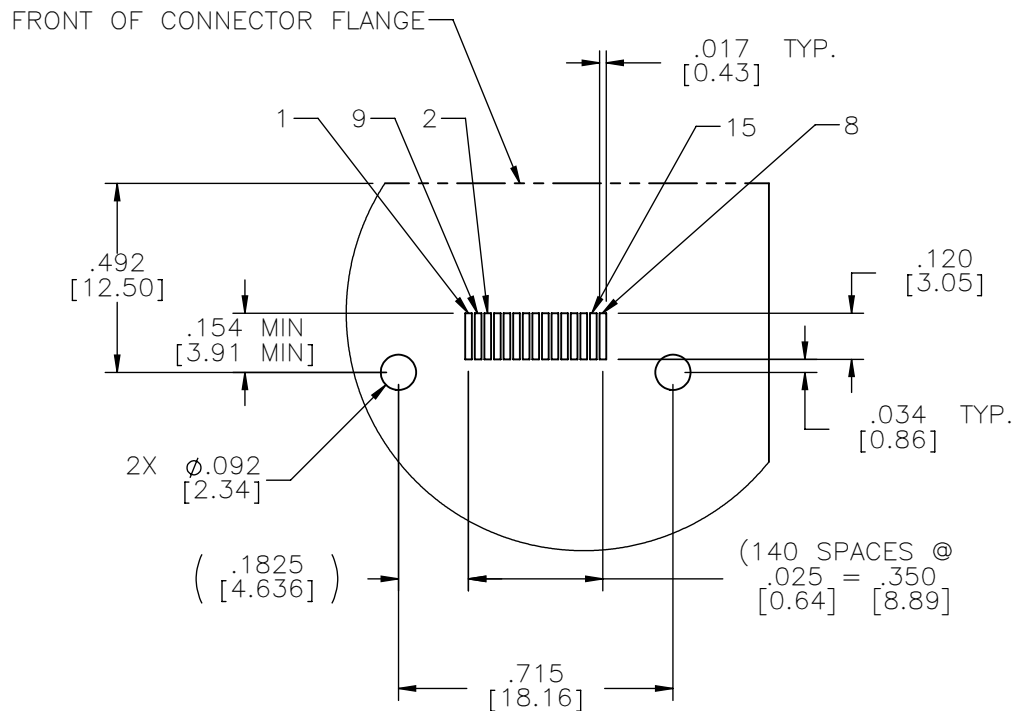
BERYLLIUM COPPER PER ASTM
B194, C17200, GOLD PLATED
PER ASTM B488, (HARD GOLD)
TYPE II CODE C, CLASS 1.27

TERMINATION:

SOLDER COATED WITH SN63A
PER J-STD-006 OR AMS-P-
81728

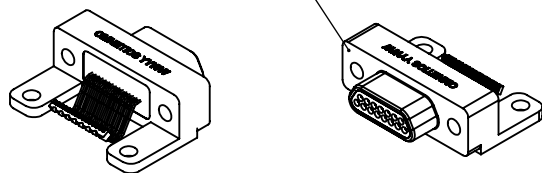
HARDWARE:

UPON REQUEST



SUGGESTED BOARD LAYOUT

FRONT OF CONNECTOR FLANGE



ACTUAL SIZE

M C S /	THIRD ANGLE
	-TOLERANCES-
	UNLESS OTHERWISE NOTED
	DIMENSIONS IN INCHES
	2 PL DEC ± .01
	3 PL DEC ± .005
	4 PL DEC ± .0005
	ANGLES ± 1°

THIS DRAWING CONTAINS CONFIDENTIAL AND PROPRIETARY INFORMATION WHICH IS THE PROPERTY OF OMNETICS CONNECTOR CORP. THIS DOCUMENT MAY NOT, IN WHOLE OR IN PART, BE DUPLICATED, OR DISCLOSED FOR ANY PURPOSE, WITHOUT WRITTEN PERMISSION FROM OMNETICS CONNECTOR CORP.

DFTM.	TLM	DATE	12-04-13
CHK'D.		DATE	
APP'D.		DATE	

TITLE:
(15) PIN MALE
HORIZONTAL SURFACE
MOUNT MICRO-D

OMNETICS
CONNECTOR CORPORATION
7260 COMMERCE CIRCLE EAST
MINNEAPOLIS, MN 55432
WWW.OMNETICS.COM

CAGE CODE 61873	
DWG NO. A98118-015	
SHEET 2 OF 2	REV A
SCALE: 2:1	