

**MATERIALS**

**HOUSING:**  
ALUMINUM 6061-T6, NICKEL PLATE PER SAE-AMS-2404

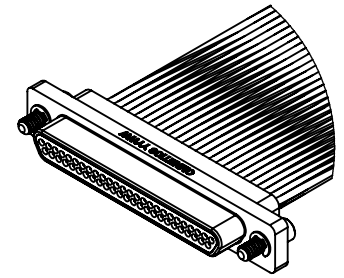
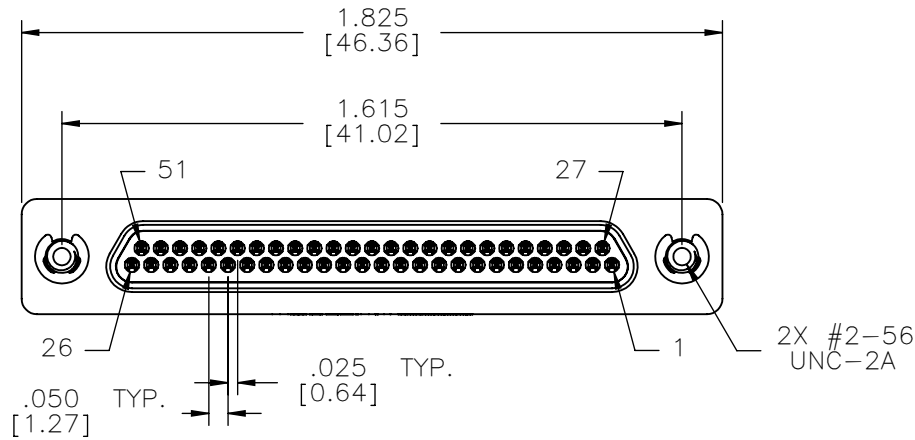
**INSULATOR:**  
LIQUID CRYSTAL POLYMER (LCP) PER ASTM D5138

**CONTACT:**  
BERYLLIUM COPPER PER ASTM B194, C17200, GOLD PLATED PER ASTM B488, (HARD GOLD) TYPE II CODE C, CLASS 1.27

**WIRE:**  
NEMA HP3 TYPE E, COLOR CODED IAW MIL-STD-681, SYSTEM 1, USING TEN SOLID REPEATING COLORS

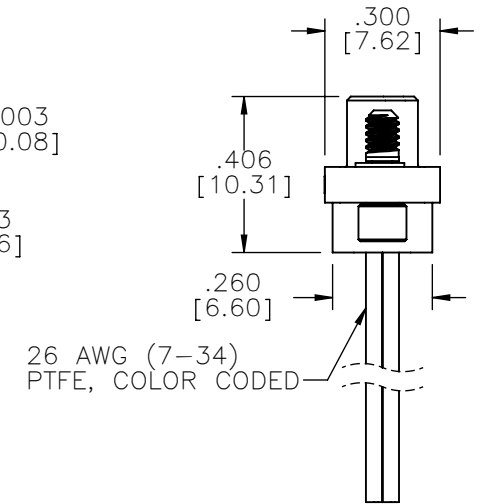
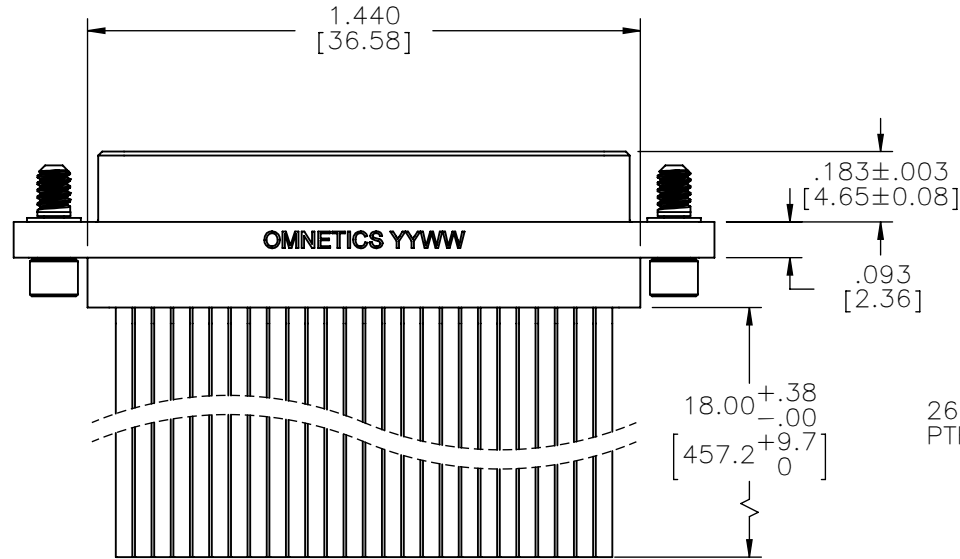
**HARDWARE:**  
STAINLESS STEEL, PASSIVATED PER SAE-AMS-2700

PART NO.	A98101-512	REV	ECO	DATE	APP
		B	99434	04-02-13	JMJ



ACTUAL SIZE EXCLUDING WIRE LENGTH

PIN #	COLOR
1, 11, 21, 31, 41, 51	BLACK
2, 12, 22, 32, 42	BROWN
3, 13, 23, 33, 43	RED
4, 14, 24, 34, 44	ORANGE
5, 15, 25, 35, 45	YELLOW
6, 16, 26, 36, 46	GREEN
7, 17, 27, 37, 47	BLUE
8, 18, 28, 38, 48	VIOLET
9, 19, 29, 39, 49	GRAY
10, 20, 30, 40, 50	WHITE



INTERNAL USE ONLY  
USE MFG LOADING  
PROCEDURE MMDP-512

**RoHS**

**NOTE:**

DIMENSIONS IN [ ] ARE IN MILLIMETERS UNLESS OTHERWISE NOTED AND ARE FOR REFERENCE ONLY

MDCS / S/CW	THIRD ANGLE	THIS DRAWING CONTAINS CONFIDENTIAL AND PROPRIETARY INFORMATION WHICH IS THE PROPERTY OF OMNETICS CONNECTOR CORP. THIS DOCUMENT MAY NOT, IN WHOLE OR IN PART, BE DUPLICATED, OR DISCLOSED FOR ANY PURPOSE, WITHOUT WRITTEN PERMISSION FROM OMNETICS CONNECTOR CORP.		<b>OMNETICS</b> CONNECTOR CORPORATION 7260 COMMERCE CIRCLE EAST MINNEAPOLIS, MN 55432 WWW.OMNETICS.COM	CAGE CODE <b>61873</b>	
	-TOLERANCES-	DFTM. TLM	DATE		TITLE:	DWG NO.
	UNLESS OTHERWISE NOTED	10-11-11	10-11-11		(51) PIN MALE	<b>A98101-512</b>
	DIMENSIONS IN INCHES	CHK'D.	DATE		MICRO-D CONNECTOR	SHEET 1 OF 1
2 PL DEC ± .01	APP'D.	DATE	W/JACKSCREWS	REV	B	
3 PL DEC ± .005				SCALE: 2:1		
4 PL DEC ± .0005						
ANGLES ± 1°						