

MATERIALS

HOUSING:

ALUMINUM 6061, NICKEL PLATED (500 MICROINCHES MINIMUM) PER SAE-AMS-2404

INSULATOR:

LIQUID CRYSTAL POLYMER (LCP) PER ASTM D5138

CONTACT:

BERYLLIUM COPPER PER ASTM B194, C17200, GOLD PLATED PER ASTM B488, (HARD GOLD) TYPE II CODE C, CLASS 1.27

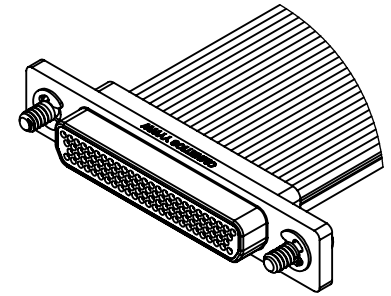
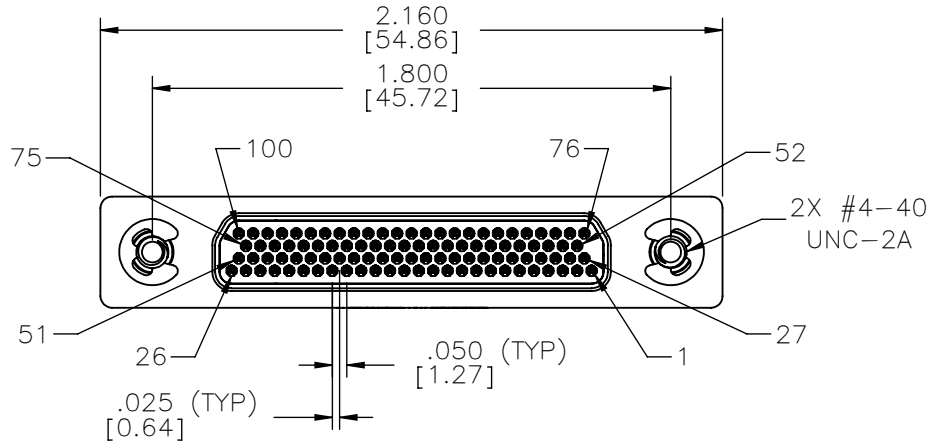
WIRE:

NEMA HP3 TYPE E, COLOR CODED IAW MIL-STD-681, SYSTEM 1, USING TEN SOLID REPEATING COLORS

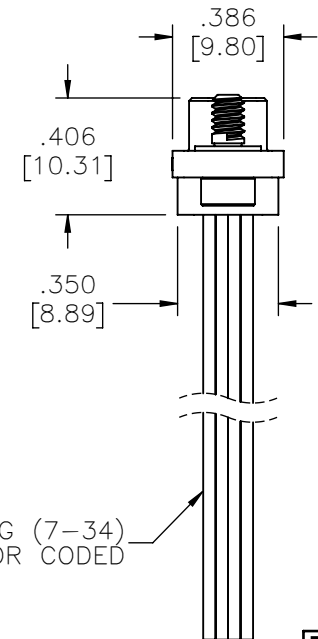
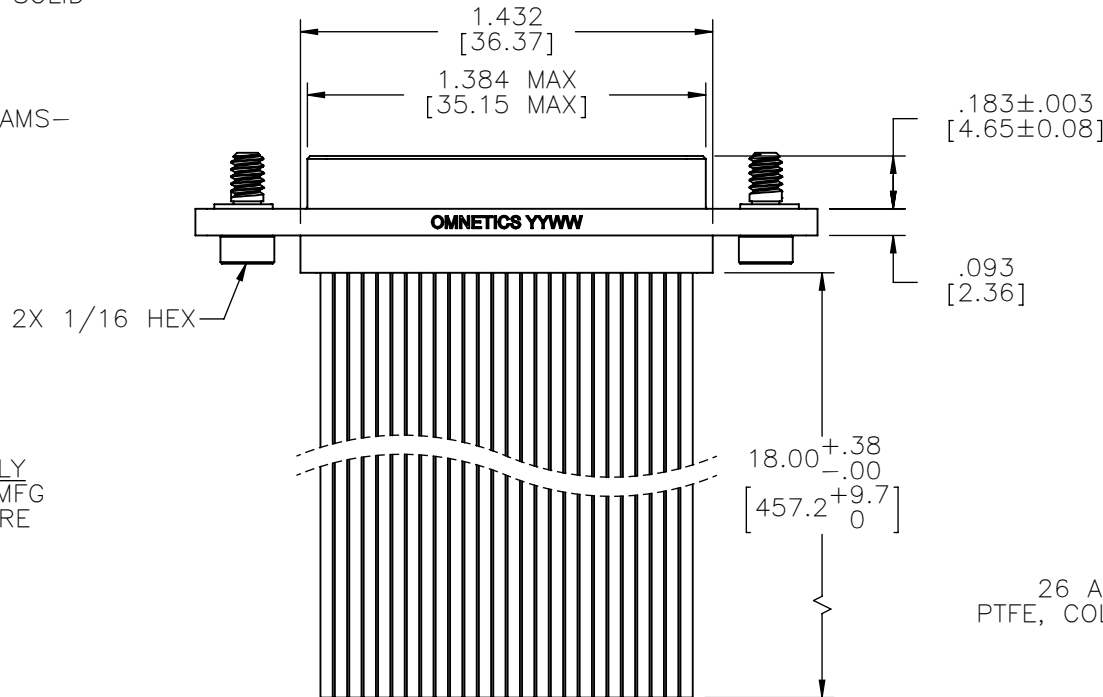
HARDWARE:

STAINLESS STEEL, PASSIVATED PER SAE-AMS-2700

PART NO.	A98101-100	REV	ECO	DATE	APP
		B	106307	04-01-2020	TLM



ACTUAL SIZE EXCLUDING WIRE LENGTH



RoHS

INTERNAL USE ONLY
SHEET 3 OF 3 IS MFG
LOADING PROCEDURE

NOTE:

DIMENSIONS IN [] ARE IN MILLIMETERS UNLESS OTHERWISE NOTED AND ARE FOR REFERENCE ONLY

MGT'S S/DWG	THIRD ANGLE
	-TOLERANCES-
	UNLESS OTHERWISE NOTED
	DIMENSIONS IN INCHES
2	PL DEC ± .01
3	PL DEC ± .005
4	PL DEC ± .0005
ANGLES ± 1°	

THIS DRAWING CONTAINS CONFIDENTIAL AND PROPRIETARY INFORMATION WHICH IS THE PROPERTY OF OMNETICS CONNECTOR CORP. THIS DOCUMENT MAY NOT, IN WHOLE OR IN PART, BE DUPLICATED, OR DISCLOSED FOR ANY PURPOSE, WITHOUT WRITTEN PERMISSION FROM OMNETICS CONNECTOR CORP.

DFTM.	HV	DATE	05-31-18
CHK'D.		DATE	
APP'D.		DATE	

TITLE:
(100) PIN MALE
MICRO-D CONNECTOR

OMNETICS
CONNECTOR CORPORATION
7260 COMMERCE CIRCLE EAST
MINNEAPOLIS, MN 55432
WWW.OMNETICS.COM

CAGE CODE 61873	
DWG NO. A98101-100	
SHEET 1 OF 3	REV B
SCALE: 3:2	

PART NO.	A98101-100	REV	ECO	DATE	APP
		B	106307	04-01-2020	TLM

PIN #	COLOR
1, 11, 21, 31, 41, 51, 61, 71, 81, 91	BLACK
2, 12, 22, 32, 42, 52, 62, 72, 82, 92	BROWN
3, 13, 23, 33, 43, 53, 63, 73, 83, 93	RED
4, 14, 24, 34, 44, 54, 64, 74, 84, 94	ORANGE
5, 15, 25, 35, 45, 55, 65, 75, 85, 95	YELLOW
6, 16, 26, 36, 46, 56, 66, 76, 86, 96	GREEN
7, 17, 27, 37, 47, 57, 67, 77, 87, 97	BLUE
8, 18, 28, 38, 48, 58, 68, 78, 88, 98	VIOLET
9, 19, 29, 39, 49, 59, 69, 79, 89, 99	GRAY
10, 20, 30, 40, 50, 60, 70, 80, 90, 100	WHITE

INTERNAL USE ONLY
 SHEET 3 OF 3 IS MFG
 LOADING PROCEDURE

RoHS

MMP	THIRD ANGLE	THIS DRAWING CONTAINS CONFIDENTIAL AND PROPRIETARY INFORMATION WHICH IS THE PROPERTY OF OMNETICS CONNECTOR CORP. THIS DOCUMENT MAY NOT, IN WHOLE OR IN PART, BE DUPLICATED, OR DISCLOSED FOR ANY PURPOSE, WITHOUT WRITTEN PERMISSION FROM OMNETICS CONNECTOR CORP.		OMNETICS CONNECTOR CORPORATION 7260 COMMERCE CIRCLE EAST MINNEAPOLIS, MN 55432 WWW.OMNETICS.COM	CAGE CODE 61873	
	UNLESS OTHERWISE NOTED DIMENSIONS IN INCHES	DFTM. HV	DATE 05-31-18		TITLE: (100) PIN MALE MICRO-D CONNECTOR	DWG NO. A98101-100
MCT	2 PL DEC ± .01	CHK'D.	DATE		SHEET 2 OF 3	REV
	3 PL DEC ± .005	APP'D.	DATE		SCALE: 3:2	B
	4 PL DEC ± .0005					
	ANGLES ± 1°					