

MATERIALS

HOUSING:

ALUMINUM 6061, NICKEL PLATED
(500 MICROINCHES MINIMUM) PER
SAE-AMS-2404

INSULATOR:

LIQUID CRYSTAL POLYMER (LCP) PER
ASTM D5138

CONTACT:

BERYLLIUM COPPER PER ASTM B194,
C17200, GOLD PLATED PER ASTM
B488, (HARD GOLD) TYPE II CODE C,
CLASS 1.27

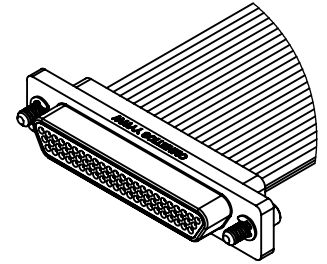
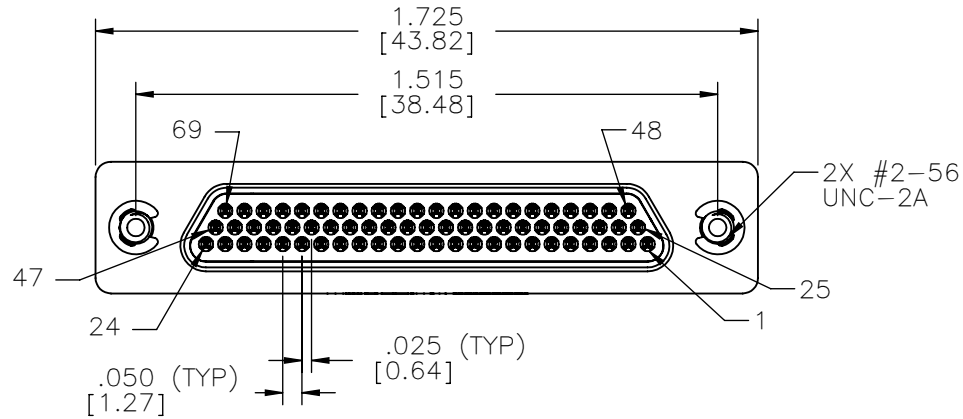
WIRE:

NEMA HP3 TYPE E, COLOR CODED
IAW MIL-STD-681, SYSTEM 1, USING
TEN SOLID REPEATING COLORS

HARDWARE:

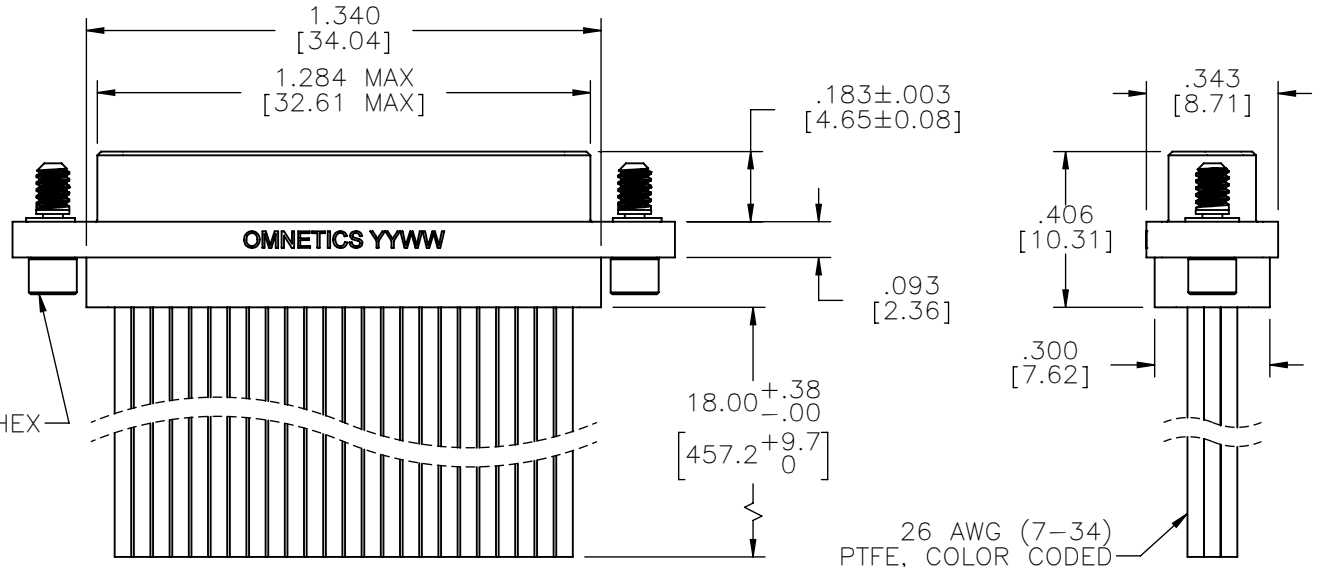
STAINLESS STEEL, PASSIVATED PER
SAE-AMS-2700

PART NO.	A98101-069	REV	ECO	DATE	APP
		A	106311	04-02-2020	TLM



ACTUAL SIZE
EXCLUDING WIRE LENGTH

PIN #	COLOR
1, 11, 21, 31, 41, 51, 61	BLACK
2, 12, 22, 32, 42, 52, 62	BROWN
3, 13, 23, 33, 43, 53, 63	RED
4, 14, 24, 34, 44, 54, 64	ORANGE
5, 15, 25, 35, 45, 55, 65	YELLOW
6, 16, 26, 36, 46, 56, 66	GREEN
7, 17, 27, 37, 47, 57, 67	BLUE
8, 18, 28, 38, 48, 58, 68	VIOLET
9, 19, 29, 39, 49, 59, 69	GRAY
10, 20, 30, 40, 50, 60	WHITE



INTERNAL USE ONLY
USE MFG LOADING
PROCEDURE MMDP-069

2X 1/16 HEX

RoHS

NOTE:

DIMENSIONS IN [] ARE IN
MILLIMETERS UNLESS
OTHERWISE NOTED AND ARE
FOR REFERENCE ONLY

MMP	THIRD ANGLE
	- TOLERANCES -
	UNLESS OTHERWISE NOTED
	DIMENSIONS IN INCHES
MCS	2 PL DEC ± .01
	3 PL DEC ± .005
	4 PL DEC ± .0005
	ANGLES ± 1°

THIS DRAWING CONTAINS CONFIDENTIAL AND PROPRIETARY INFORMATION WHICH IS THE PROPERTY OF OMNETICS CONNECTOR CORP. THIS DOCUMENT MAY NOT, IN WHOLE OR IN PART, BE DUPLICATED, OR DISCLOSED FOR ANY PURPOSE, WITHOUT WRITTEN PERMISSION FROM OMNETICS CONNECTOR CORP.

DFTM. EDG	DATE
CHK'D.	DATE
APP'D.	DATE

TITLE:
(69) PIN MALE
MICRO-D CONNECTOR
W/ JACKSCREWS

OMNETICS
CONNECTOR CORPORATION
7260 COMMERCE CIRCLE EAST
MINNEAPOLIS, MN 55432
WWW.OMNETICS.COM

CAGE CODE 61873	
DWG NO. A98101-069	
SHEET 1 OF 1	REV A
SCALE: 2:1	