

MATERIALS

HOUSING:
ALUMINUM 6061-T6, NICKEL
PLATE PER SAE-AMS-2404

INSULATOR:
LIQUID CRYSTAL POLYMER
(LCP) PER ASTM D5138

CONTACT:
BERYLLIUM COPPER PER
ASTM B194, C17200, GOLD
PLATED PER ASTM B488,
(HARD GOLD) TYPE II CODE
C, CLASS 1.27

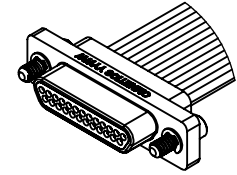
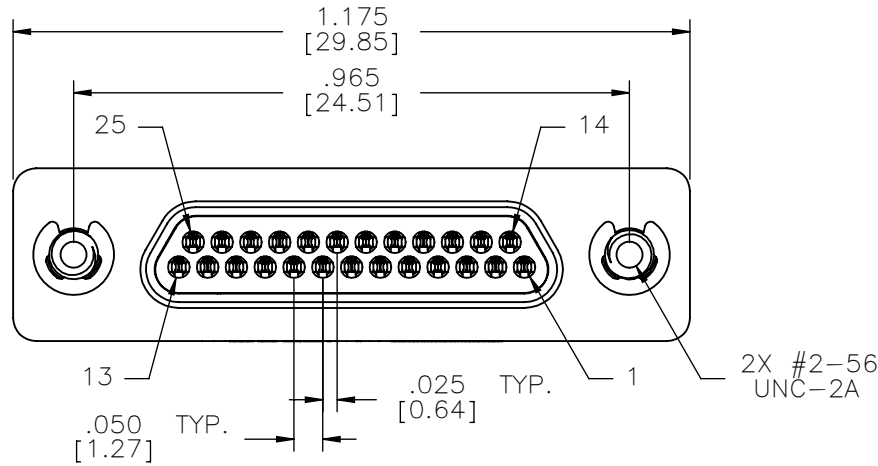
WIRE:
NEMA HP3 TYPE E, COLOR
CODED IAW MIL-STD-681,
SYSTEM 1, USING TEN SOLID
REPEATING COLORS

HARDWARE:
STAINLESS STEEL, PASSIVATED
PER SAE-AMS-2700

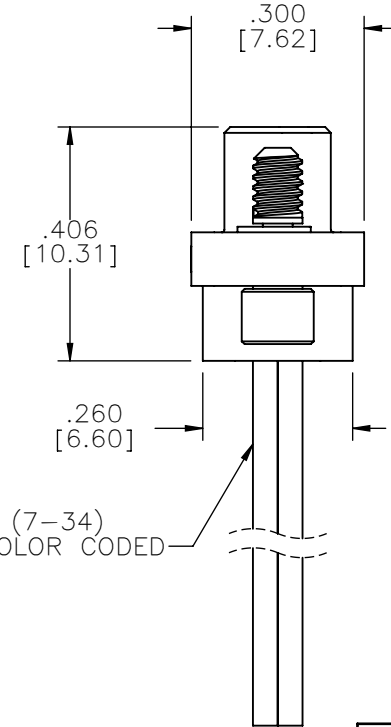
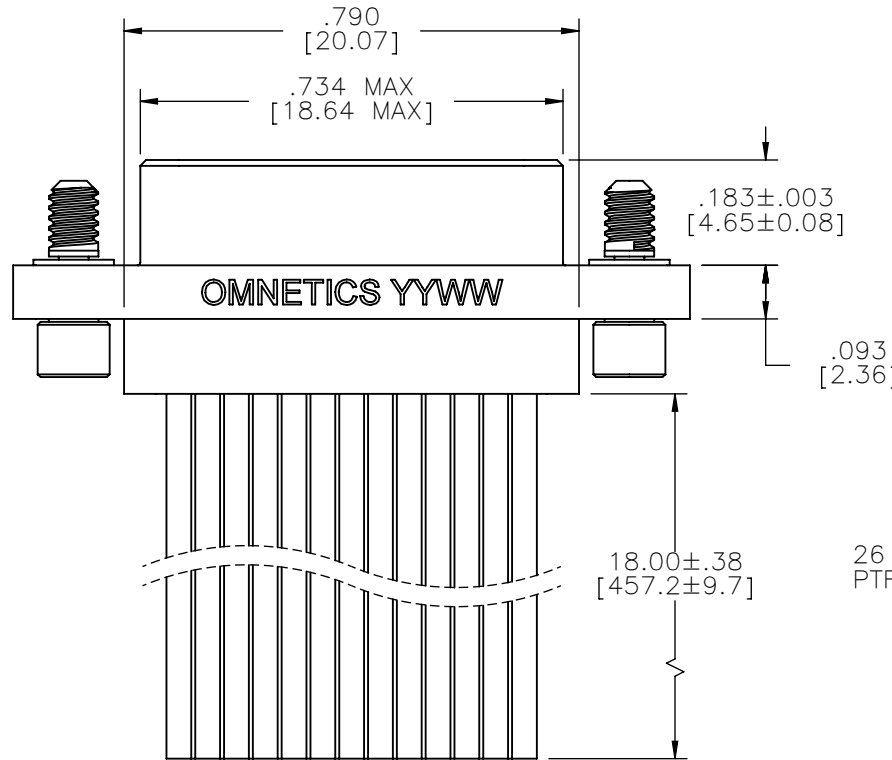
PIN #	COLOR
1, 11, 21	BLACK
2, 12, 22	BROWN
3, 13, 23	RED
4, 14, 24	ORANGE
5, 15, 25	YELLOW
6, 16	GREEN
7, 17	BLUE
8, 18	VIOLET
9, 19	GRAY
10, 20	WHITE

INTERNAL USE ONLY
USE MFG LOADING
PROCEDURE MMDP-025

PART NO.	A98101-025	REV	ECO	DATE	APP
		B	99434	04-02-13	JMJ



ACTUAL SIZE
EXCLUDING WIRE LENGTH



RoHS

NOTE:

DIMENSIONS IN [] ARE IN
MILLIMETERS UNLESS
OTHERWISE NOTED AND ARE
FOR REFERENCE ONLY

MMDP SLD	THIRD ANGLE	THIS DRAWING CONTAINS CONFIDENTIAL AND PROPRIETARY INFORMATION WHICH IS THE PROPERTY OF OMNETICS CONNECTOR CORP. THIS DOCUMENT MAY NOT, IN WHOLE OR IN PART, BE DUPLICATED, OR DISCLOSED FOR ANY PURPOSE, WITHOUT WRITTEN PERMISSION FROM OMNETICS CONNECTOR CORP.	DATE 01-13-10	TITLE: (25) PIN MALE MICRO-D CONNECTOR W/ JACKSCREWS	CAGE CODE 61873	DWG NO. A98101-025
	-TOLERANCES-					
	UNLESS OTHERWISE NOTED DIMENSIONS IN INCHES					
	2 PL DEC±.01 3 PL DEC±.005 4 PL DEC±.0005 ANGLES ± 1°					
DFTM. NJS	DATE			7260 COMMERCE CIRCLE EAST MINNEAPOLIS, MN 55432 WWW.OMNETICS.COM	SHEET 1 OF 1	REV B
CHK'D.	DATE				SCALE: 3:1	
APP'D.	DATE					