

MATERIALS

HOUSING:
ALUMINUM 6061-T6, NICKEL
PLATE PER SAE-AMS-2404

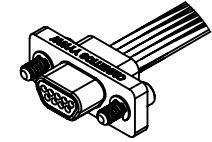
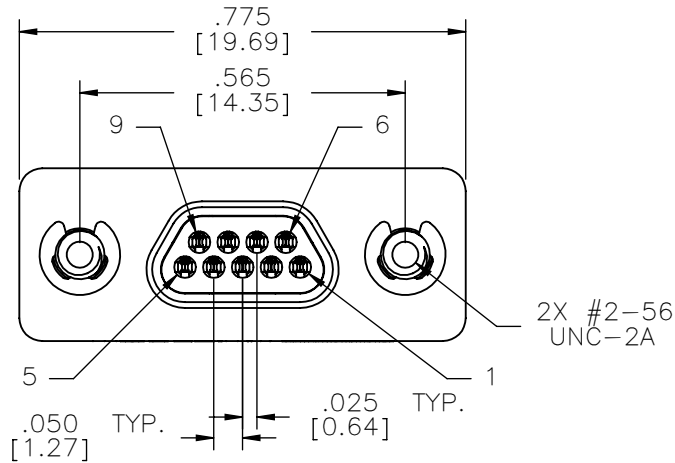
INSULATOR:
LIQUID CRYSTAL POLYMER
(LCP) PER ASTM D5138

CONTACT:
BERYLLIUM COPPER PER
ASTM B194, C17200, GOLD
PLATED PER ASTM B488,
(HARD GOLD) TYPE II CODE
C, CLASS 1.27

WIRE:
NEMA HP3 TYPE E, COLOR
CODED IAW MIL-STD-681,
SYSTEM 1, USING TEN SOLID
REPEATING COLORS

HARDWARE:
STAINLESS STEEL, PASSIVATED
PER SAE-AMS-2700

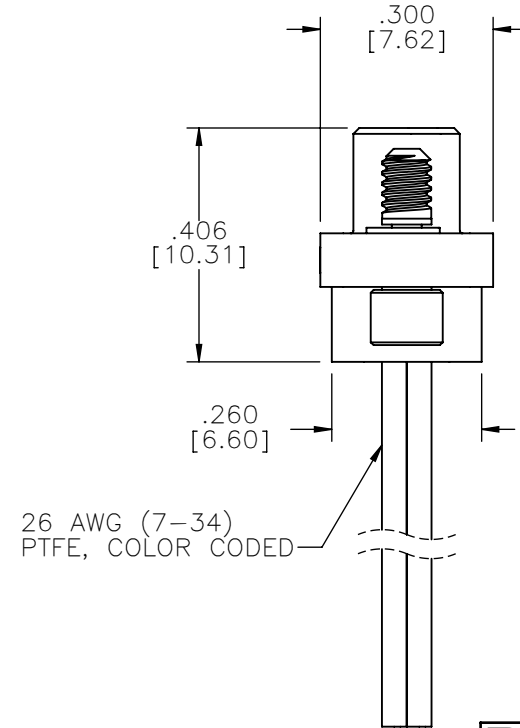
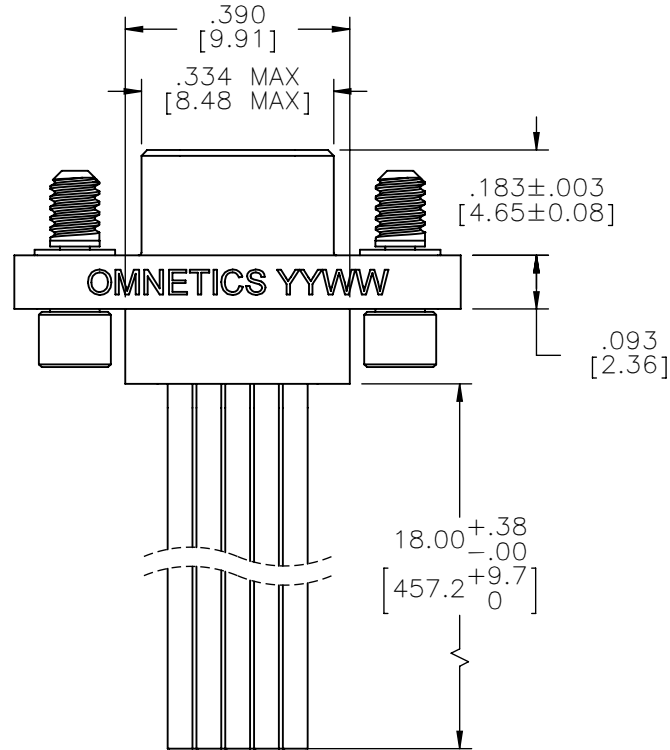
PART NO.	A98101-009	REV	ECO	DATE	APP
		B	99434	04-02-13	JMJ



ACTUAL SIZE
EXCLUDING WIRE LENGTH

PIN #	COLOR
1	BLACK
2	BROWN
3	RED
4	ORANGE
5	YELLOW
6	GREEN
7	BLUE
8	VIOLET
9	GRAY

INTERNAL USE ONLY
USE MFG LOADING
PROCEDURE MMDP-009



RoHS

NOTE:

DIMENSIONS IN [] ARE IN
MILLIMETERS UNLESS
OTHERWISE NOTED AND ARE
FOR REFERENCE ONLY

MMDP STW	THIRD ANGLE	THIS DRAWING CONTAINS CONFIDENTIAL AND PROPRIETARY INFORMATION WHICH IS THE PROPERTY OF OMNETICS CONNECTOR CORP. THIS DOCUMENT MAY NOT, IN WHOLE OR IN PART, BE DUPLICATED, OR DISCLOSED FOR ANY PURPOSE, WITHOUT WRITTEN PERMISSION FROM OMNETICS CONNECTOR CORP.		OMNETICS CONNECTOR CORPORATION 7260 COMMERCE CIRCLE EAST MINNEAPOLIS, MN 55432 WWW.OMNETICS.COM	CAGE CODE 61873	
	-TOLERANCES-	DFTM. NJS	DATE		TITLE:	DWG NO.
	UNLESS OTHERWISE NOTED	DATE	DATE		(9) PIN MALE	A98101-009
	DIMENSIONS IN INCHES	DATE	DATE		MICRO-D CONNECTOR	SHEET 1 OF 1
2 PL DEC±.01	DATE	DATE	W/ JACKSCREWS	REV		
3 PL DEC±.005	DATE	DATE		B		
4 PL DEC±.0005	DATE	DATE		SCALE: 3:1		
ANGLES ± 1°	DATE	DATE				