

MATERIALS

PART NO.	A98100-100	REV	ECO	DATE	APP
		C	106307	04-01-2020	TLM

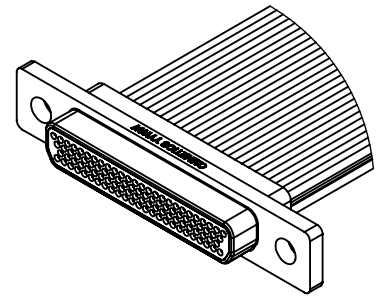
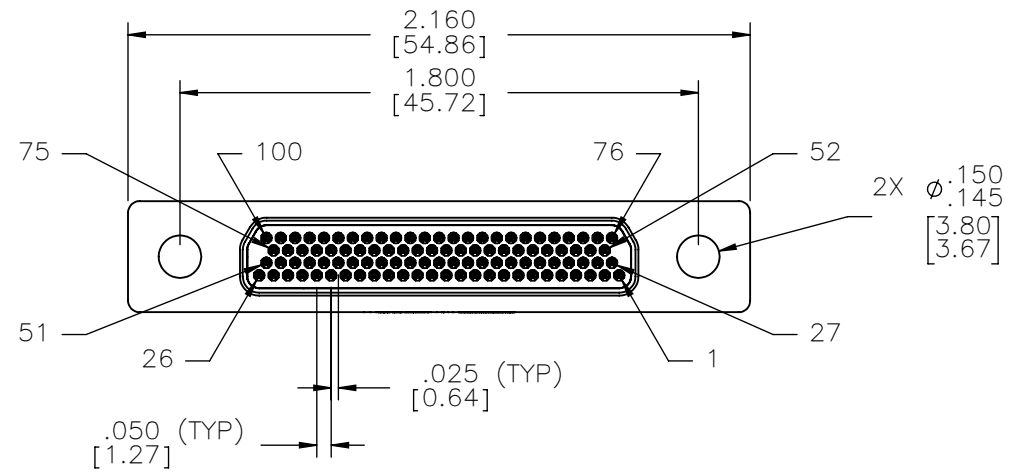
HOUSING:
ALUMINUM 6061, NICKEL PLATE
(500 MICROINCHES MINIMUM)
PER SAE-AMS-2404

INSULATOR:
LIQUID CRYSTAL POLYMER (LCP)
PER ASTM D5138

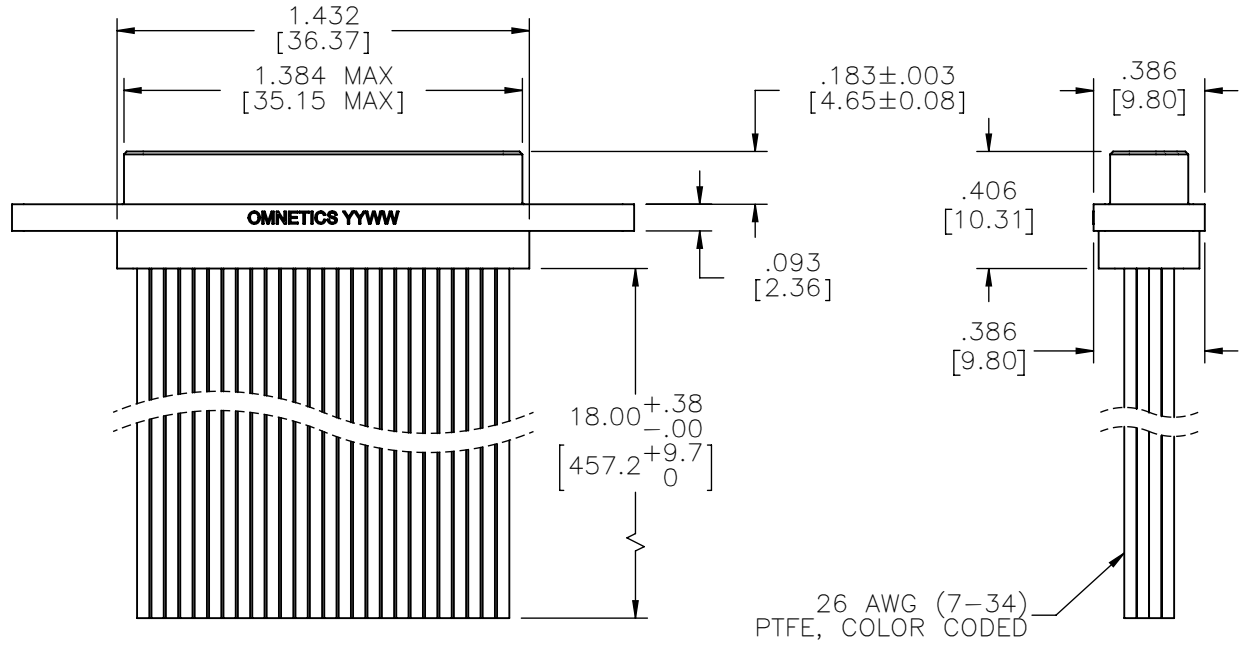
CONTACT:
BERYLLIUM COPPER PER ASTM
B194, C17200, GOLD PLATED
PER ASTM B488, (HARD GOLD)
TYPE II CODE C, CLASS 1.27

WIRE:
NEMA HP3 TYPE E, COLOR
CODED IAW MIL-STD-681,
SYSTEM 1, USING TEN SOLID
REPEATING COLORS

HARDWARE:
AVAILABLE UPON REQUEST



PIN #	COLOR
1, 11, 21, 31, 41, 51, 61, 71, 81, 91	BLACK
2, 12, 22, 32, 42, 52, 62, 72, 82, 92	BROWN
3, 13, 23, 33, 43, 53, 63, 73, 83, 93	RED
4, 14, 24, 34, 44, 54, 64, 74, 84, 94	ORANGE
5, 15, 25, 35, 45, 55, 65, 75, 85, 95	YELLOW
6, 16, 26, 36, 46, 56, 66, 76, 86, 96	GREEN
7, 17, 27, 37, 47, 57, 67, 77, 87, 97	BLUE
8, 18, 28, 38, 48, 58, 68, 78, 88, 98	VIOLET
9, 19, 29, 39, 49, 59, 69, 79, 89, 99	GRAY
10, 20, 30, 40, 50, 60, 70, 80, 90, 100	WHITE



INTERNAL USE ONLY
SHEET 2 OF 2 IS
MANUFACTURING
LOADING DIAGRAM

RoHS

NOTE:

DIMENSIONS IN [] ARE IN
MILLIMETERS UNLESS
OTHERWISE NOTED AND ARE
FOR REFERENCE ONLY

MATERIALS	THIRD ANGLE	THIS DRAWING CONTAINS CONFIDENTIAL AND PROPRIETARY INFORMATION WHICH IS THE PROPERTY OF OMNETICS CONNECTOR CORP. THIS DOCUMENT MAY NOT, IN WHOLE OR IN PART, BE DUPLICATED, OR DISCLOSED FOR ANY PURPOSE, WITHOUT WRITTEN PERMISSION FROM OMNETICS CONNECTOR CORP.	DATE	TITLE:
	-TOLERANCES-		11-20-09	(100) PIN MALE
	UNLESS OTHERWISE NOTED		DATE	MICRO-D CONNECTOR
	DIMENSIONS IN INCHES		DATE	
MATERIALS	2 PL DEC±.01	DFTM. NJS	DATE	
	3 PL DEC±.005	CHK'D.	DATE	
	4 PL DEC±.0005	APP'D.	DATE	
	ANGLES ± 1°			

OMNETICS
CONNECTOR CORPORATION
7260 COMMERCE CIRCLE EAST
MINNEAPOLIS, MN 55432
WWW.OMNETICS.COM

CAGE CODE 61873	
DWG NO. A98100-100	
SHEET 1 OF 2	REV C
SCALE: 3:2	