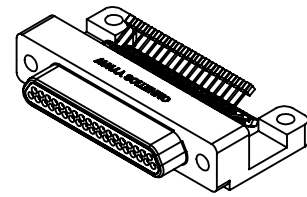
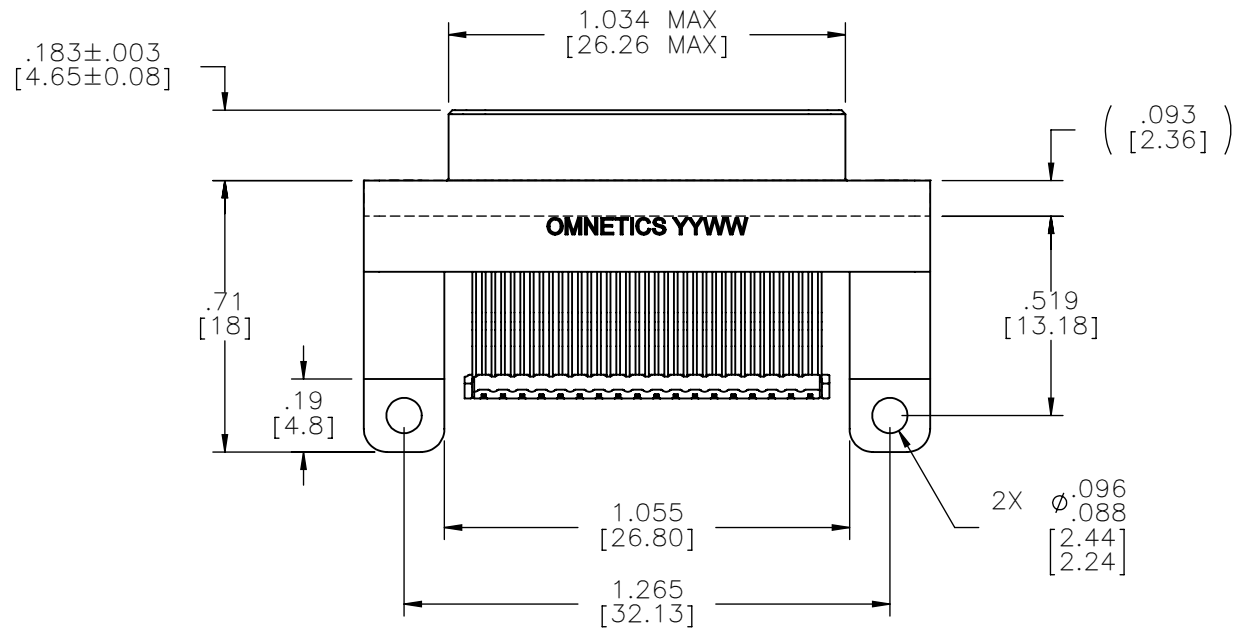
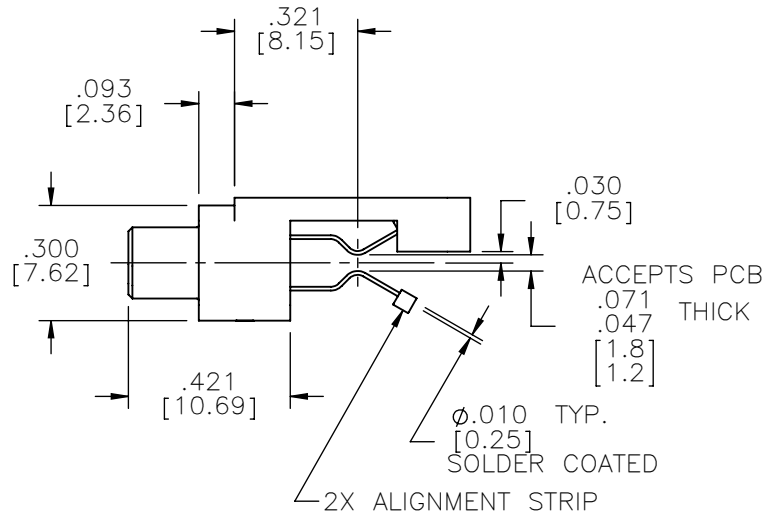
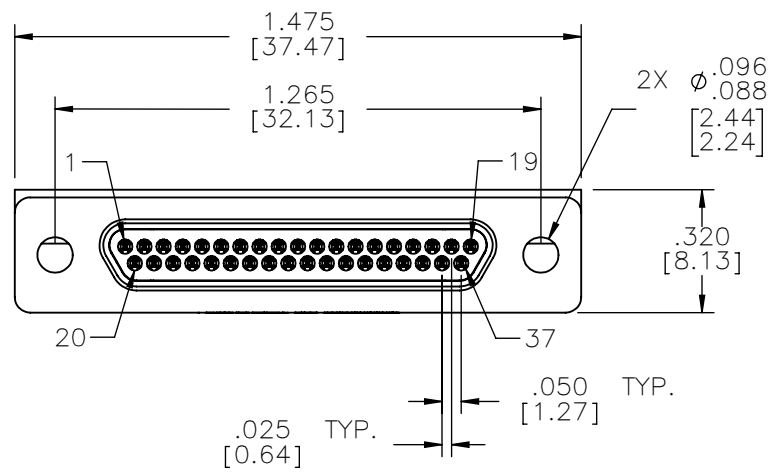


PART NO.	A98066-037	REV	ECO	DATE	APP
		A	101980	10-06-15	BCV



NOTE:
DIMENSIONS IN [] ARE IN MILLIMETERS UNLESS OTHERWISE NOTED AND ARE FOR REFERENCE ONLY

MATERIALS	THIRD ANGLE
	-TOLERANCES-
	UNLESS OTHERWISE NOTED
	DIMENSIONS IN INCHES
	2 PL DEC ± .01
	3 PL DEC ± .005
	4 PL DEC ± .0005
	ANGLES ± 1°

THIS DRAWING CONTAINS CONFIDENTIAL AND PROPRIETARY INFORMATION WHICH IS THE PROPERTY OF OMNETICS CONNECTOR CORP. THIS DOCUMENT MAY NOT, IN WHOLE OR IN PART, BE DUPLICATED, OR DISCLOSED FOR ANY PURPOSE, WITHOUT WRITTEN PERMISSION FROM OMNETICS CONNECTOR CORP.	
DFTM. BCV	DATE 09-30-15
CHK'D.	DATE
APP'D.	DATE
TITLE: (37) PIN MALE CARD-EDGE MOUNT MICRO-D CONNECTOR	

OMNETICS
CONNECTOR CORPORATION
7260 COMMERCE CIRCLE EAST
MINNEAPOLIS, MN 55432
WWW.OMNETICS.COM

CAGE CODE 61873	
DWG NO. A98066-037	
SHEET 1 OF 2	REV A
SCALE: 2:1	

PART NO.	A98066-037	REV	ECO	DATE	APP
		A	101980	10-06-15	BCV

MATERIALS

HOUSING:

ALUMINUM 6061-T6, NICKEL PLATE PER SAE-AMS-2404

INSULATOR & ALIGNMENT STRIP:

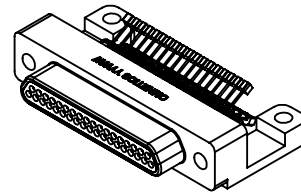
LIQUID CRYSTAL POLYMER (LCP) PER ASTM D5138

CONTACT:

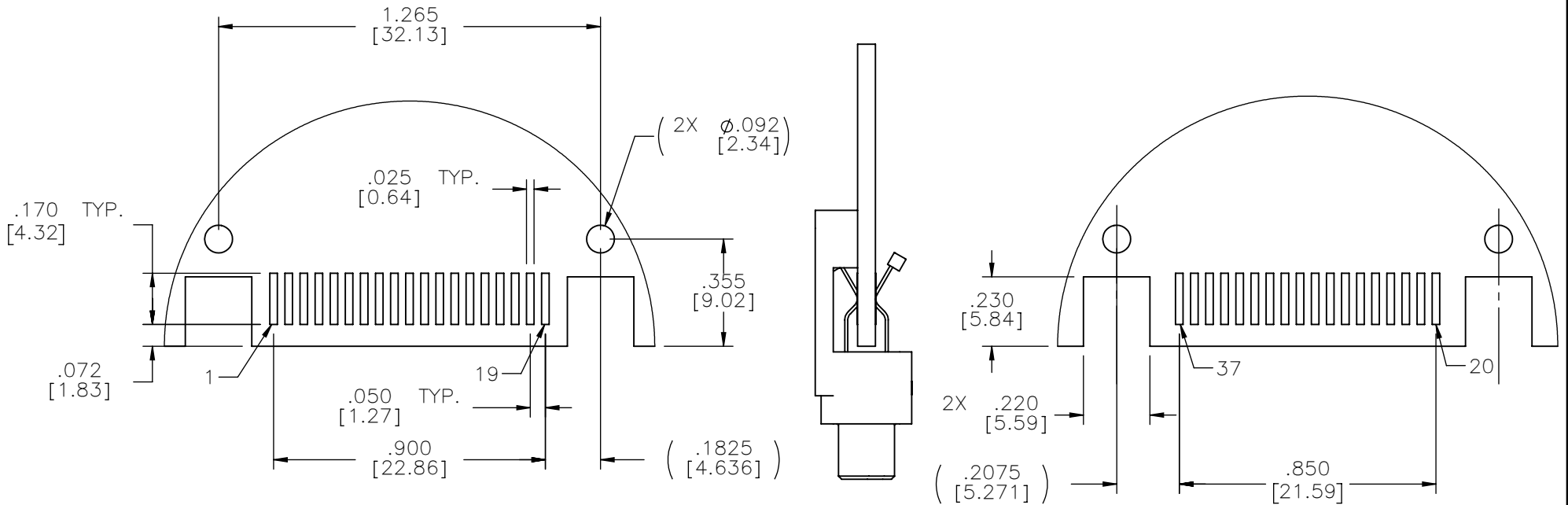
BERYLLIUM COPPER PER ASTM B194, C17200, GOLD PLATED PER ASTM B488, (HARD GOLD) TYPE II CODE C, CLASS 1.27

TERMINATION:

SOLDER COATED WITH SN63A PER J-STD-006 OR AMS-P-81728



ACTUAL SIZE



SUGGESTED BOARD LAYOUT

NOTE:

DIMENSIONS IN [] ARE IN MILLIMETERS UNLESS OTHERWISE NOTED AND ARE FOR REFERENCE ONLY

MTC	THIRD ANGLE
	-TOLERANCES-
	UNLESS OTHERWISE NOTED
	DIMENSIONS IN INCHES
2	PL DEC \pm .01
3	PL DEC \pm .005
4	PL DEC \pm .0005
	ANGLES \pm 1°

THIS DRAWING CONTAINS CONFIDENTIAL AND PROPRIETARY INFORMATION WHICH IS THE PROPERTY OF OMNETICS CONNECTOR CORP. THIS DOCUMENT MAY NOT, IN WHOLE OR IN PART, BE DUPLICATED, OR DISCLOSED FOR ANY PURPOSE, WITHOUT WRITTEN PERMISSION FROM OMNETICS CONNECTOR CORP.

DFTM.	BCV	DATE	09-30-15
CHK'D.		DATE	
APP'D.		DATE	

TITLE: (37) PIN MALE CARD-EDGE MOUNT MICRO-D CONNECTOR

OMNETICS
CONNECTOR CORPORATION
 7260 COMMERCE CIRCLE EAST
 MINNEAPOLIS, MN 55432
 WWW.OMNETICS.COM

CAGE CODE 61873	
DWG NO. A98066-037	
SHEET 2 OF 2	REV A
SCALE: 2:1	