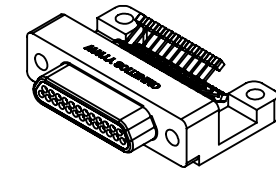
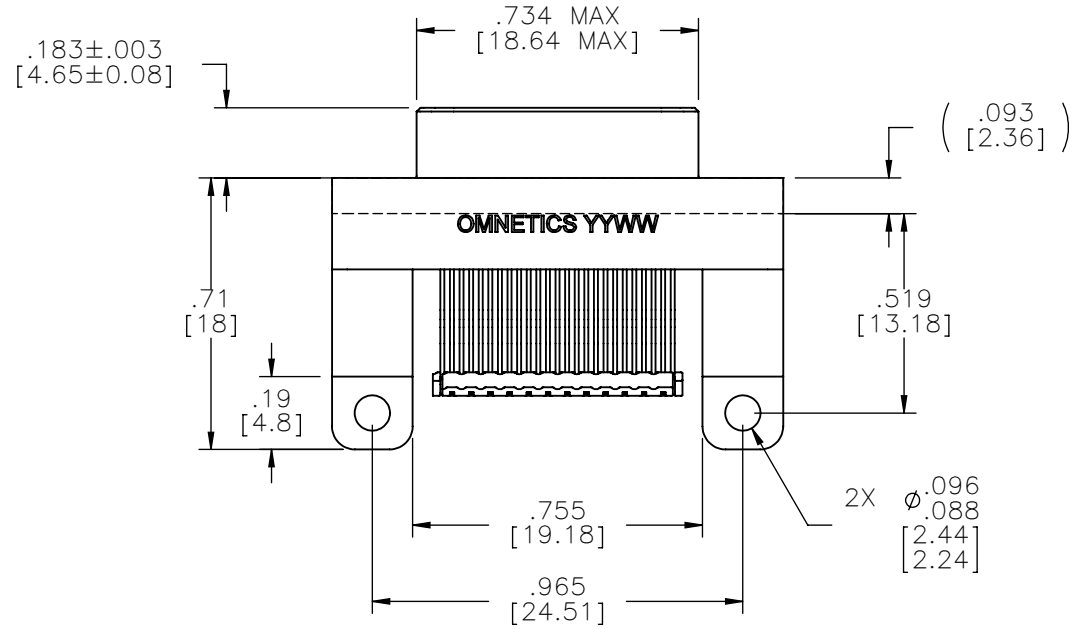
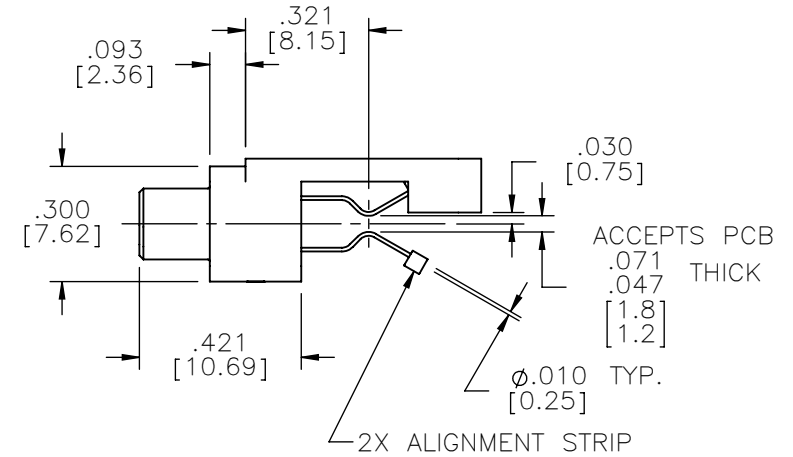
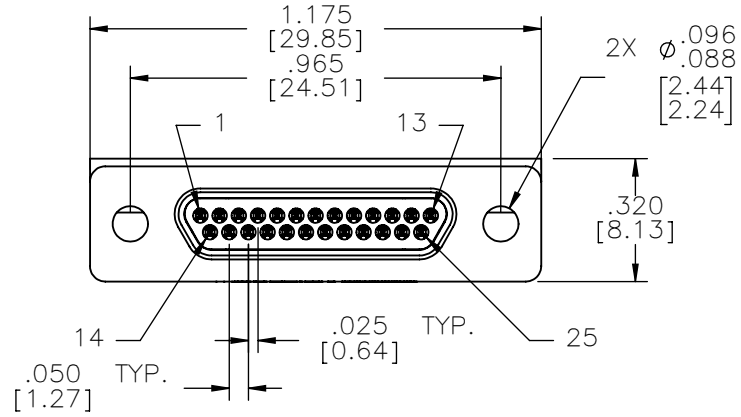


PART NO.	A98066-025	REV	ECO	DATE	APP
		A	98714	07-17-12	TLM



ACTUAL SIZE

M S D W	THIRD ANGLE
	-TOLERANCES-
	UNLESS OTHERWISE NOTED
	DIMENSIONS IN INCHES
2	PL DEC±.01
3	PL DEC±.005
4	PL DEC±.0005
	ANGLES ± 1°

THIS DRAWING CONTAINS CONFIDENTIAL AND PROPRIETARY INFORMATION WHICH IS THE PROPERTY OF OMNETICS CONNECTOR CORP. THIS DOCUMENT MAY NOT, IN WHOLE OR IN PART, BE DUPLICATED, OR DISCLOSED FOR ANY PURPOSE, WITHOUT WRITTEN PERMISSION FROM OMNETICS CONNECTOR CORP.	
DFTM. TLM	DATE 07-17-12
CHK'D.	DATE
APP'D.	DATE
TITLE: (25) PIN MALE CARD-EDGE MOUNT MICRO-D CONNECTOR	

OMNETICS
 CONNECTOR CORPORATION
 7260 COMMERCE CIRCLE EAST
 MINNEAPOLIS, MN 55432
 WWW.OMNETICS.COM

CAGE CODE 61873
DWG NO. A98066-025
SHEET 1 OF 2
SCALE: 2:1
REV A

PART NO.	A98066-025	REV	ECO	DATE	APP
		A	98714	07-17-12	TLM

MATERIALS

HOUSING:

ALUMINUM 6061-T6, NICKEL PLATE PER SAE-AMS-2404

INSULATOR & ALIGNMENT STRIP:

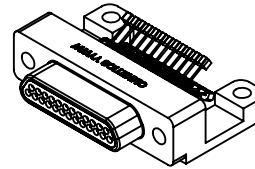
LIQUID CRYSTAL POLYMER (LCP) PER ASTM D5138

CONTACT:

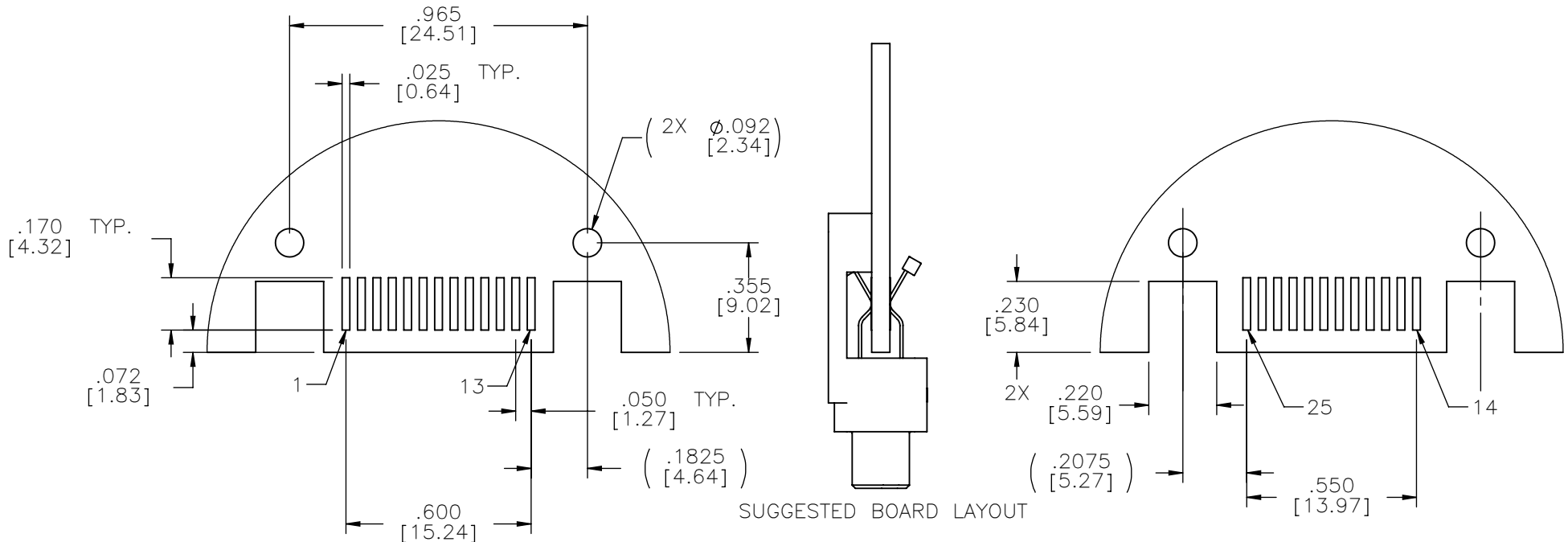
BERYLLIUM COPPER PER ASTM B194, C17200, GOLD PLATED PER ASTM B488, (HARD GOLD) TYPE II CODE C, CLASS 1.27

TERMINATION:

SOLDER COATED WITH SN63A PER J-STD-006 OR AMS-P-81728



ACTUAL SIZE



SUGGESTED BOARD LAYOUT

MTC	THIRD ANGLE
	UNLESS OTHERWISE NOTED
S/DWG	DIMENSIONS IN INCHES
	2 PL DEC \pm .01
	3 PL DEC \pm .005
	4 PL DEC \pm .0005
	ANGLES \pm 1°

THIS DRAWING CONTAINS CONFIDENTIAL AND PROPRIETARY INFORMATION WHICH IS THE PROPERTY OF OMNETICS CONNECTOR CORP. THIS DOCUMENT MAY NOT, IN WHOLE OR IN PART, BE DUPLICATED, OR DISCLOSED FOR ANY PURPOSE, WITHOUT WRITTEN PERMISSION FROM OMNETICS CONNECTOR CORP.

DFTM.	TLM	DATE	07-17-12
CHK'D.		DATE	
APP'D.		DATE	

TITLE:
(25) PIN MALE
CARD-EDGE MOUNT
MICRO-D CONNECTOR

OMNETICS
CONNECTOR CORPORATION
7260 COMMERCE CIRCLE EAST
MINNEAPOLIS, MN 55432
WWW.OMNETICS.COM

CAGE CODE	61873
DWG NO.	A98066-025
SHEET 2 OF 2	REV A
SCALE:	2:1