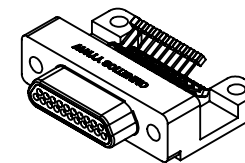
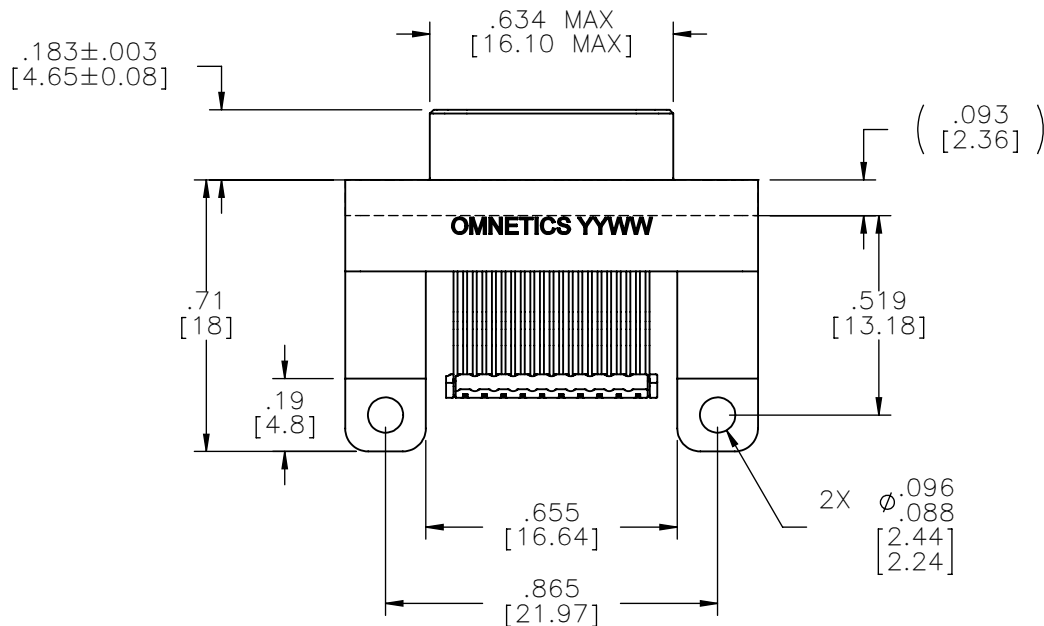
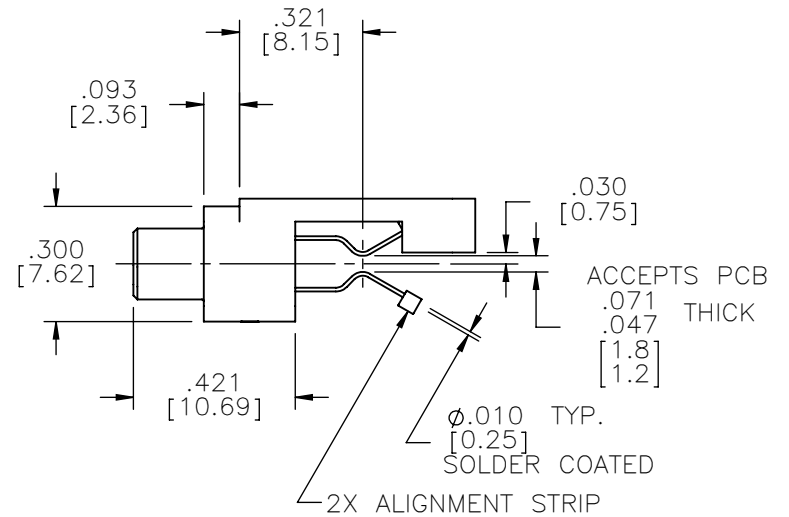
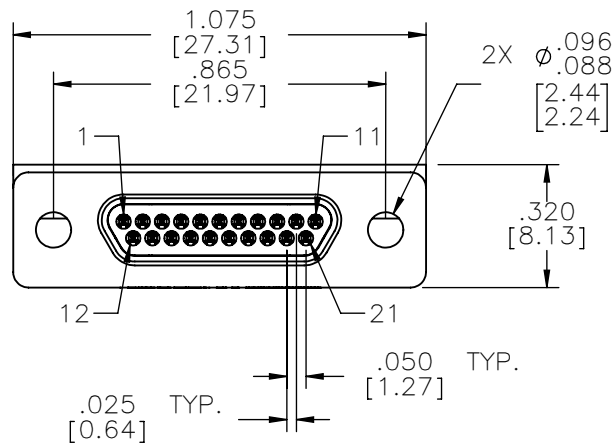


PART NO.	A98066-021	REV	ECO	DATE	APP
		A	101980	10-06-15	BCV



ACTUAL SIZE

NOTE:

DIMENSIONS IN [ ] ARE IN MILLIMETERS UNLESS OTHERWISE NOTED AND ARE FOR REFERENCE ONLY

MTC	THIRD ANGLE
	-TOLERANCES-
	UNLESS OTHERWISE NOTED
	DIMENSIONS IN INCHES
2	PL DEC $\pm$ .01
3	PL DEC $\pm$ .005
4	PL DEC $\pm$ .0005
	ANGLES $\pm$ 1°

THIS DRAWING CONTAINS CONFIDENTIAL AND PROPRIETARY INFORMATION WHICH IS THE PROPERTY OF OMNETICS CONNECTOR CORP. THIS DOCUMENT MAY NOT, IN WHOLE OR IN PART, BE DUPLICATED, OR DISCLOSED FOR ANY PURPOSE, WITHOUT WRITTEN PERMISSION FROM OMNETICS CONNECTOR CORP.

DFTM.	BCV	DATE	09-30-15
CHK'D.		DATE	
APP'D.		DATE	

TITLE:  
(21) PIN MALE  
CARD-EDGE MOUNT  
MICRO-D CONNECTOR

**OMNETICS**  
CONNECTOR CORPORATION  
7260 COMMERCE CIRCLE EAST  
MINNEAPOLIS, MN 55432  
WWW.OMNETICS.COM

CAGE CODE	61873
DWG NO.	A98066-021
SHEET 1 OF 2	REV A
SCALE:	2:1

PART NO.	A98066-021	REV	ECO	DATE	APP
		A	101980	10-06-15	BCV

**MATERIALS**

**HOUSING:**

ALUMINUM 6061-T6, NICKEL PLATE PER SAE-AMS-2404

**INSULATOR & ALIGNMENT STRIP:**

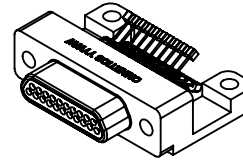
LIQUID CRYSTAL POLYMER (LCP) PER ASTM D5138

**CONTACT:**

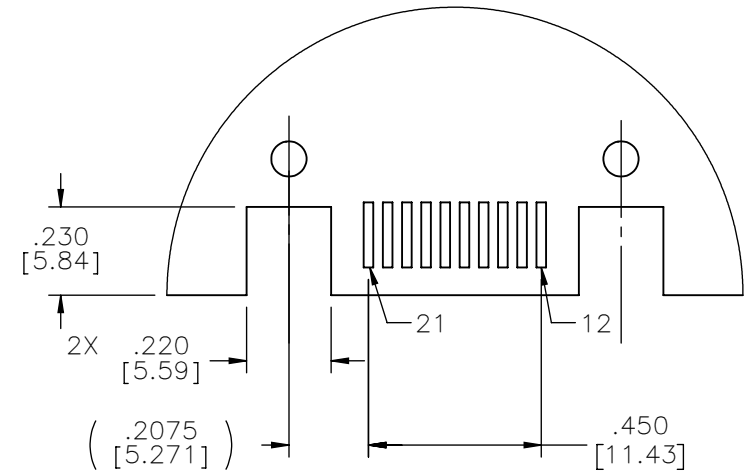
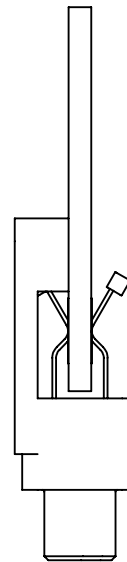
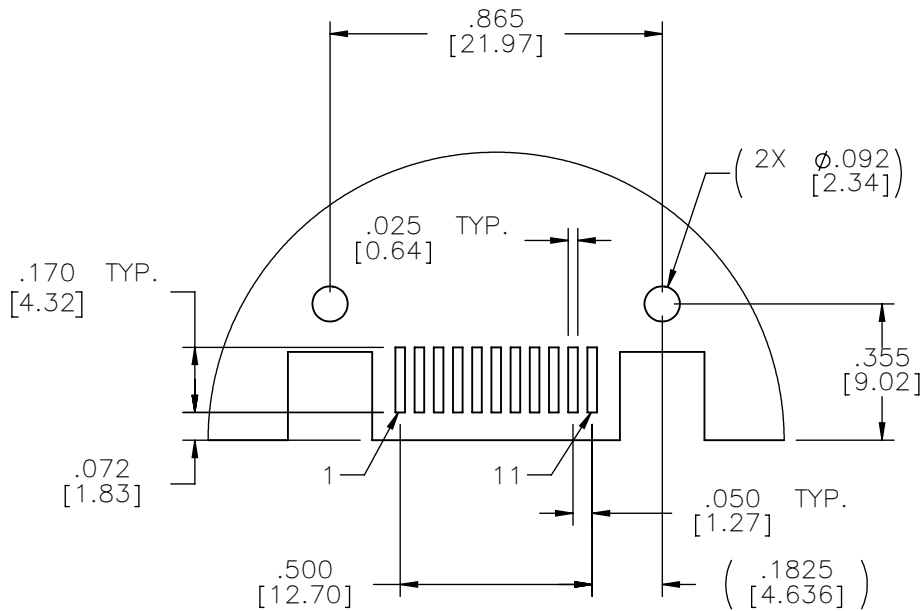
BERYLLIUM COPPER PER ASTM B194, C17200, GOLD PLATED PER ASTM B488, (HARD GOLD) TYPE II CODE C, CLASS 1.27

**TERMINATION:**

SOLDER COATED WITH SN63A PER J-STD-006 OR AMS-P-81728



ACTUAL SIZE



SUGGESTED BOARD LAYOUT

**NOTE:**

DIMENSIONS IN [ ] ARE IN MILLIMETERS UNLESS OTHERWISE NOTED AND ARE FOR REFERENCE ONLY

MDCS SLOW	THIRD ANGLE
	-TOLERANCES-
	UNLESS OTHERWISE NOTED
	DIMENSIONS IN INCHES
	2 PL DEC ± .01
	3 PL DEC ± .005
	4 PL DEC ± .0005
	ANGLES ± 1°

THIS DRAWING CONTAINS CONFIDENTIAL AND PROPRIETARY INFORMATION WHICH IS THE PROPERTY OF OMNETICS CONNECTOR CORP. THIS DOCUMENT MAY NOT, IN WHOLE OR IN PART, BE DUPLICATED, OR DISCLOSED FOR ANY PURPOSE, WITHOUT WRITTEN PERMISSION FROM OMNETICS CONNECTOR CORP.

DFTM.	BCV	DATE	09-30-15
CHK'D.		DATE	
APP'D.		DATE	

TITLE:  
(21) PIN MALE  
CARD-EDGE MOUNT  
MICRO-D CONNECTOR

**OMNETICS**  
CONNECTOR CORPORATION  
7260 COMMERCE CIRCLE EAST  
MINNEAPOLIS, MN 55432  
WWW.OMNETICS.COM

CAGE CODE	61873
DWG NO.	A98066-021
SHEET 2 OF 2	REV A
SCALE:	2:1