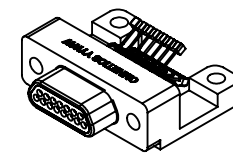
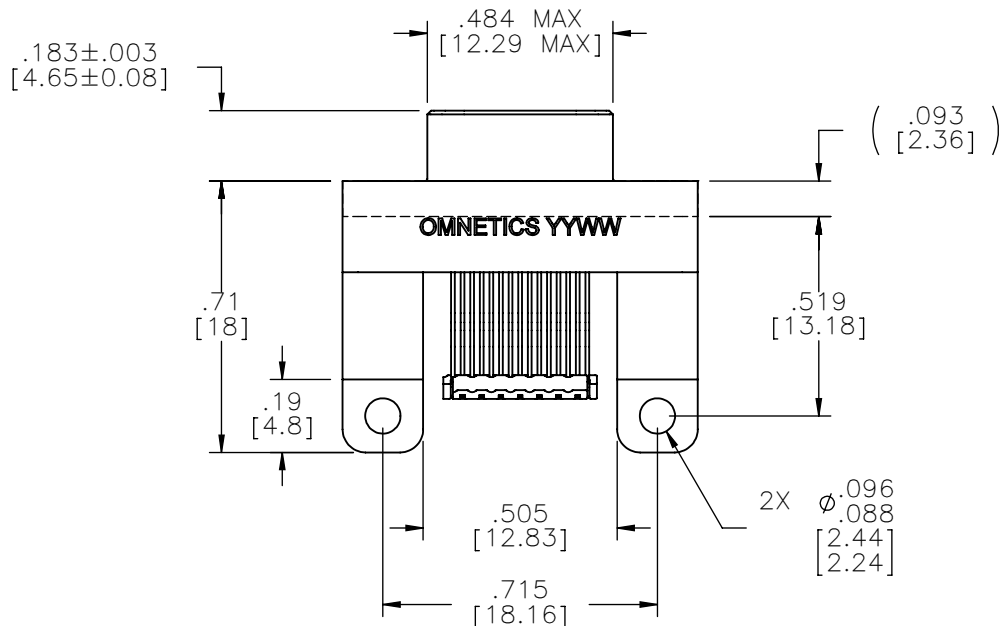
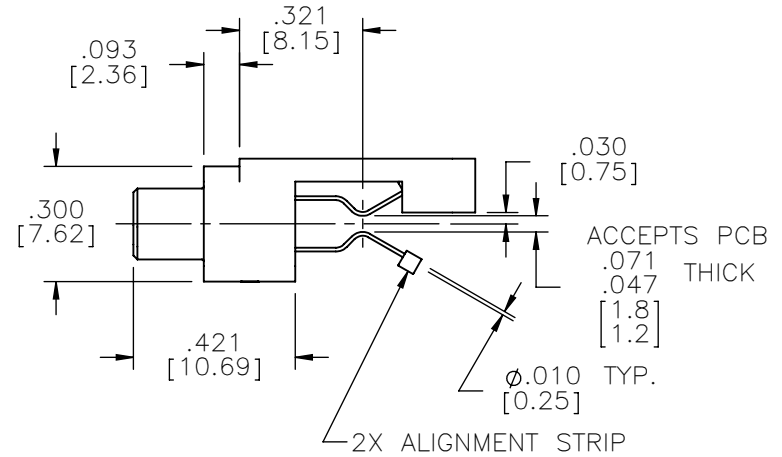
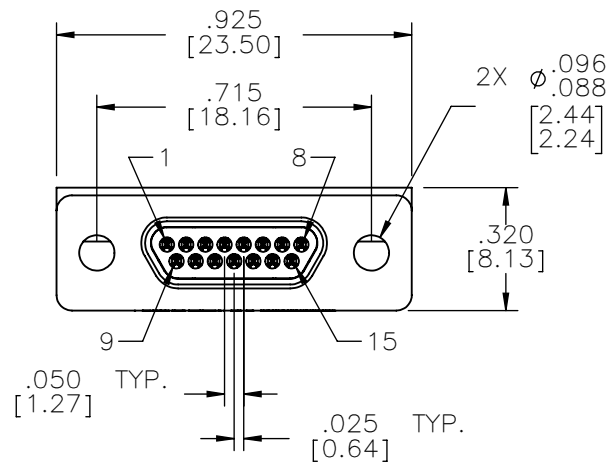


PART NO.	A98066-015	REV	ECO	DATE	APP
		A	100571	05-15-14	JMJ



ACTUAL SIZE

MGT'S	THIRD ANGLE
	-TOLERANCES-
	UNLESS OTHERWISE NOTED
	DIMENSIONS IN INCHES
	2 PL DEC ± .01
3 PL DEC ± .005	
4 PL DEC ± .0005	
ANGLES ± 1°	

THIS DRAWING CONTAINS CONFIDENTIAL AND PROPRIETARY INFORMATION WHICH IS THE PROPERTY OF OMNETICS CONNECTOR CORP. THIS DOCUMENT MAY NOT, IN WHOLE OR IN PART, BE DUPLICATED, OR DISCLOSED FOR ANY PURPOSE, WITHOUT WRITTEN PERMISSION FROM OMNETICS CONNECTOR CORP.

DFTM. JMJ	DATE 05-15-14
CHK'D.	DATE
APP'D.	DATE

TITLE: (15) PIN MALE  
CARD-EDGE MOUNT  
MICRO-D CONNECTOR

**OMNETICS**  
CONNECTOR CORPORATION  
7260 COMMERCE CIRCLE EAST  
MINNEAPOLIS, MN 55432  
WWW.OMNETICS.COM

CAGE CODE 61873
DWG NO. A98066-015
SHEET 1 OF 2
SCALE: 2:1
REV A

PART NO.	A98066-015	REV	ECO	DATE	APP
		A	100571	05-15-14	JMJ

**MATERIALS**

**HOUSING:**

ALUMINUM 6061-T6, NICKEL PLATE PER SAE-AMS-2404

**INSULATOR & ALIGNMENT STRIP:**

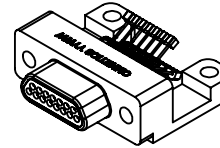
LIQUID CRYSTAL POLYMER (LCP) PER ASTM D5138

**CONTACT:**

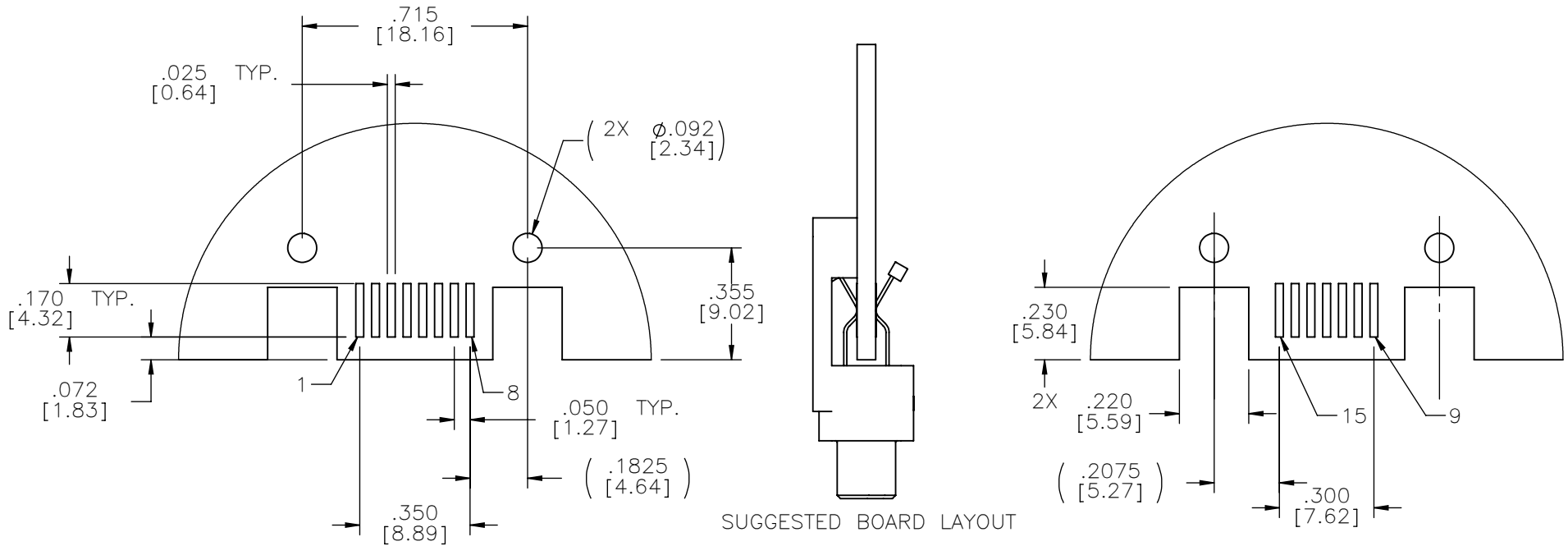
BERYLLIUM COPPER PER ASTM B194, C17200, GOLD PLATED PER ASTM B488, (HARD GOLD) TYPE II CODE C, CLASS 1.27

**TERMINATION:**

SOLDER COATED WITH SN63A PER J-STD-006 OR AMS-P-81728



ACTUAL SIZE



M C S S T D W	THIRD ANGLE
	-TOLERANCES-
	UNLESS OTHERWISE NOTED
	DIMENSIONS IN INCHES
	2 PL DEC $\pm$ .01
	3 PL DEC $\pm$ .005
	4 PL DEC $\pm$ .0005
	ANGLES $\pm$ 1°

THIS DRAWING CONTAINS CONFIDENTIAL AND PROPRIETARY INFORMATION WHICH IS THE PROPERTY OF OMNETICS CONNECTOR CORP. THIS DOCUMENT MAY NOT, IN WHOLE OR IN PART, BE DUPLICATED, OR DISCLOSED FOR ANY PURPOSE, WITHOUT WRITTEN PERMISSION FROM OMNETICS CONNECTOR CORP.

DFTM. JMJ	DATE
CHK'D.	DATE
APP'D.	DATE

TITLE:  
 (15) PIN MALE  
 CARD-EDGE MOUNT  
 MICRO-D CONNECTOR

**OMNETICS**  
 CONNECTOR CORPORATION  
 7260 COMMERCE CIRCLE EAST  
 MINNEAPOLIS, MN 55432  
 WWW.OMNETICS.COM

CAGE CODE	61873
DWG NO.	A98066-015
SHEET 2 OF 2	REV
SCALE: 2:1	A