



|          |            |     |        |          |     |
|----------|------------|-----|--------|----------|-----|
| PART NO. | A98066-009 | REV | ECO    | DATE     | APP |
|          |            | A   | 101980 | 10-06-15 | BCV |

**MATERIALS**

**HOUSING:**

ALUMINUM 6061-T6, NICKEL PLATE PER SAE-AMS-2404

**INSULATOR & ALIGNMENT STRIP:**

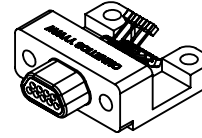
LIQUID CRYSTAL POLYMER (LCP) PER ASTM D5138

**CONTACT:**

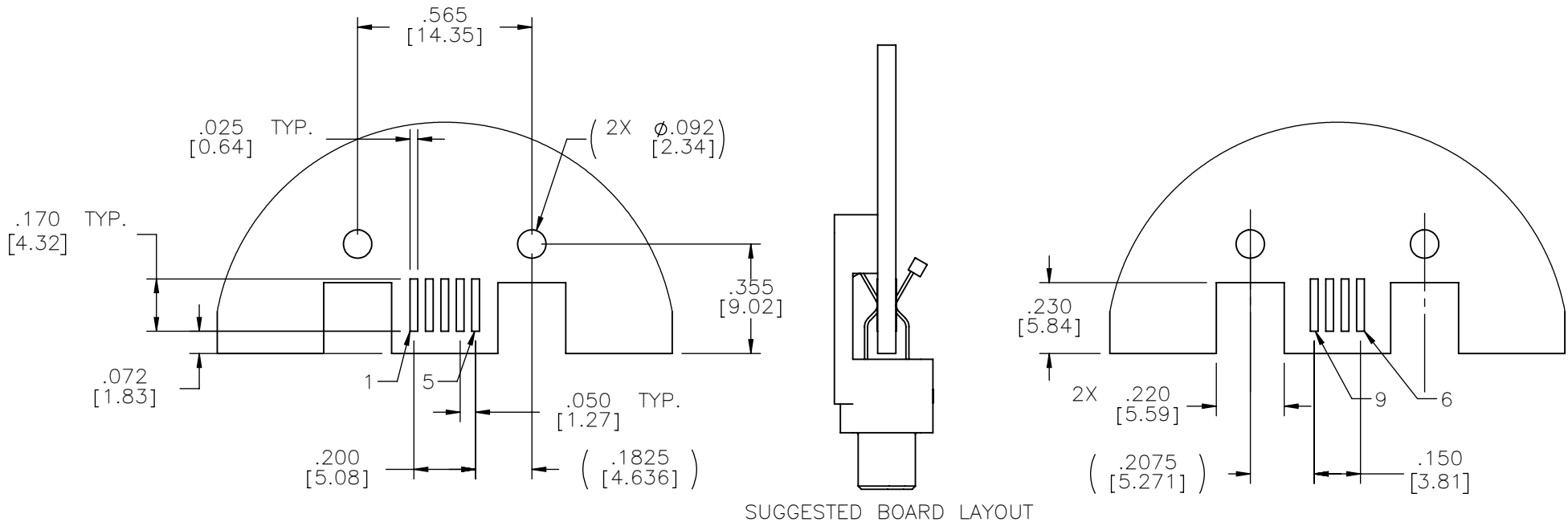
BERYLLIUM COPPER PER ASTM B194, C17200, GOLD PLATED PER ASTM B488, (HARD GOLD) TYPE II CODE C, CLASS 1.27

**TERMINATION:**

SOLDER COATED WITH SN63A PER J-STD-006 OR AMS-P-81728



ACTUAL SIZE



SUGGESTED BOARD LAYOUT

**NOTE:**

DIMENSIONS IN [ ] ARE IN MILLIMETERS UNLESS OTHERWISE NOTED AND ARE FOR REFERENCE ONLY

|     |                        |
|-----|------------------------|
| MFG | THIRD ANGLE            |
|     | - TOLERANCES -         |
|     | UNLESS OTHERWISE NOTED |
|     | DIMENSIONS IN INCHES   |
| STG | 2 PL DEC $\pm$ .01     |
|     | 3 PL DEC $\pm$ .005    |
|     | 4 PL DEC $\pm$ .0005   |
|     | ANGLES $\pm$ 1°        |

THIS DRAWING CONTAINS CONFIDENTIAL AND PROPRIETARY INFORMATION WHICH IS THE PROPERTY OF OMNETICS CONNECTOR CORP. THIS DOCUMENT MAY NOT, IN WHOLE OR IN PART, BE DUPLICATED, OR DISCLOSED FOR ANY PURPOSE, WITHOUT WRITTEN PERMISSION FROM OMNETICS CONNECTOR CORP.

|        |     |      |          |
|--------|-----|------|----------|
| DFTM.  | BCV | DATE | 09-30-15 |
| CHK'D. |     | DATE |          |
| APP'D. |     | DATE |          |

TITLE:  
**(9) PIN MALE  
CARD-EDGE MOUNT  
MICRO-D CONNECTOR**

**OMNETICS**  
CONNECTOR CORPORATION  
7260 COMMERCE CIRCLE EAST  
MINNEAPOLIS, MN 55432  
WWW.OMNETICS.COM

|                           |       |
|---------------------------|-------|
| CAGE CODE <b>61873</b>    |       |
| DWG NO. <b>A98066-009</b> |       |
| SHEET 2 OF 2              | REV A |
| SCALE: 2:1                |       |