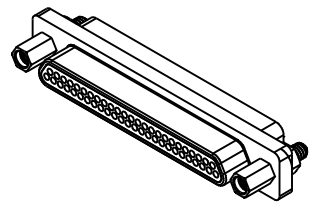
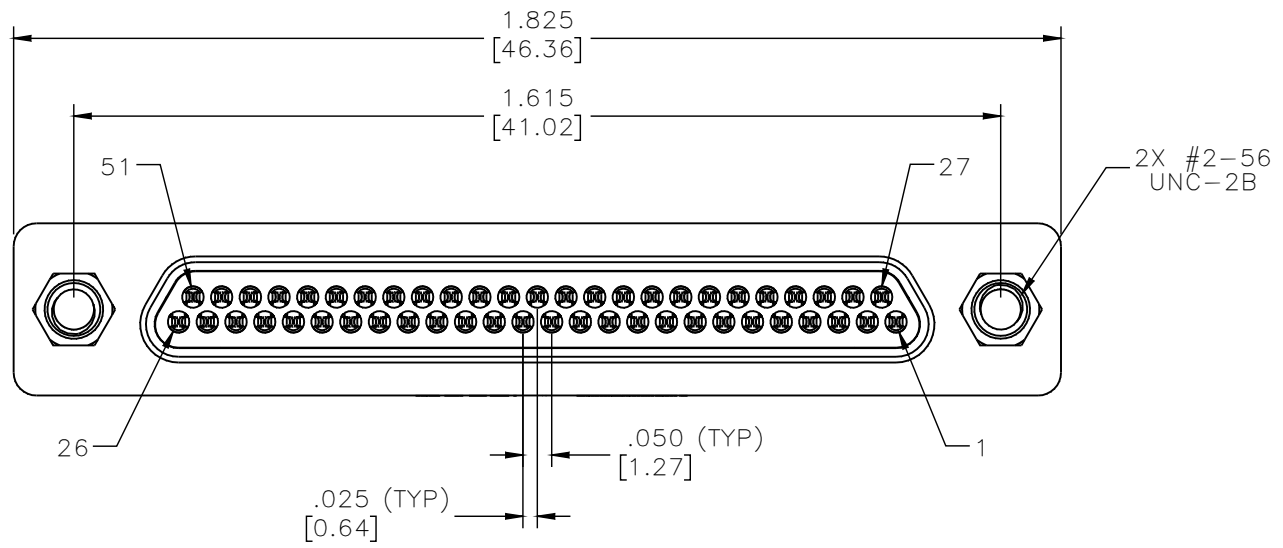
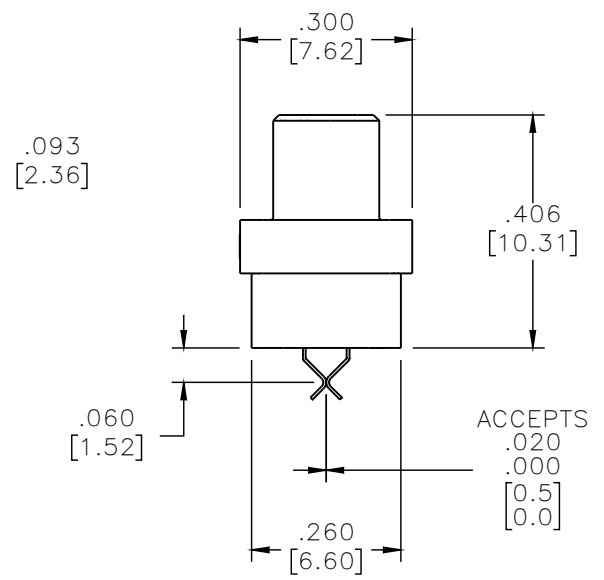
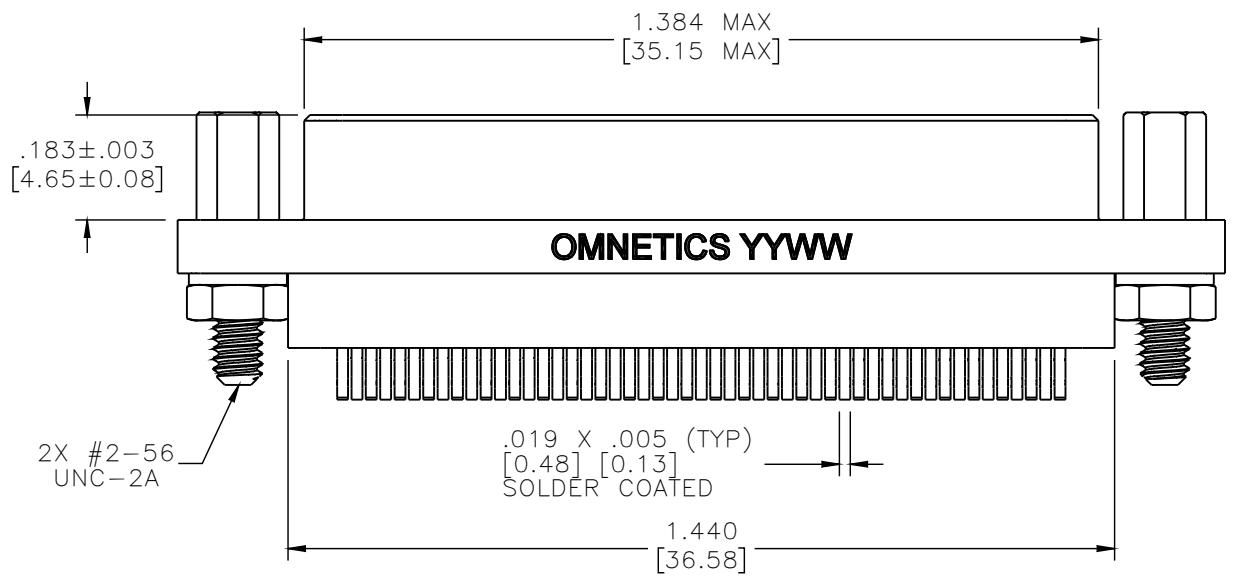


PART NO.	A98062-512	REV	ECO	DATE	APP
		A	103586	06-28-17	TLM



ACTUAL SIZE



VIEW SHOWN
LESS HARDWARE

NOTE:
DIMENSIONS IN [] ARE IN MILLIMETERS UNLESS OTHERWISE NOTED AND ARE FOR REFERENCE ONLY

MMDP SLDW	THIRD ANGLE	THIS DRAWING CONTAINS CONFIDENTIAL AND PROPRIETARY INFORMATION WHICH IS THE PROPERTY OF OMNETICS CONNECTOR CORP. THIS DOCUMENT MAY NOT, IN WHOLE OR IN PART, BE DUPLICATED, OR DISCLOSED FOR ANY PURPOSE, WITHOUT WRITTEN PERMISSION FROM OMNETICS CONNECTOR CORP.	
	-TOLERANCES-	DFTM. HV	TITLE:
	UNLESS OTHERWISE NOTED	DATE	DATE
	DIMENSIONS IN INCHES	04-18-17	04-18-17
2 PL DEC±.01	CHK'D.	DATE	(51) PIN MALE
3 PL DEC±.005	APP'D.	DATE	MICRO-D CONNECTOR
4 PL DEC±.0005			W/JACKPOSTS
ANGLES ± 1°			

OMNETICS
CONNECTOR CORPORATION
7260 COMMERCE CIRCLE EAST
MINNEAPOLIS, MN 55432
WWW.OMNETICS.COM

CAGE CODE	61873
DWG NO.	A98062-512
SHEET 1 OF 2	REV
SCALE: 3:1	A

PART NO.	A98062-512	REV	ECO	DATE	APP
		A	103586	06-28-17	TLM

MATERIALS

HOUSING:

ALUMINUM 6061-T6, NICKEL PLATE (500 MICROINCHES MINIMUM) PER SAE-AMS-2404

INSULATOR:

LIQUID CRYSTAL POLYMER (LCP) PER ASTM D5138

CONTACT:

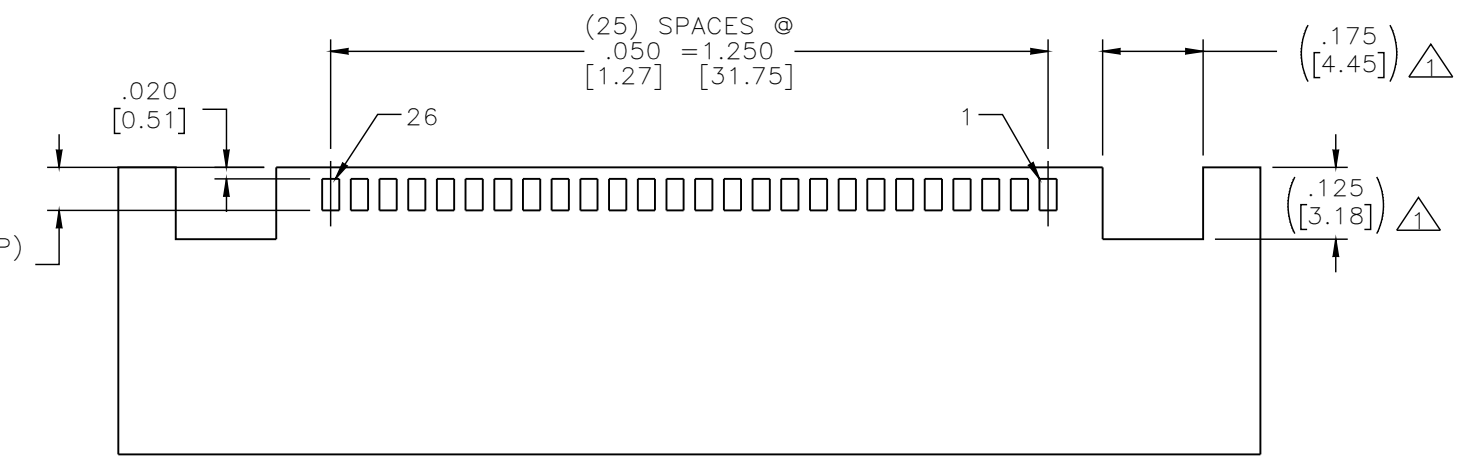
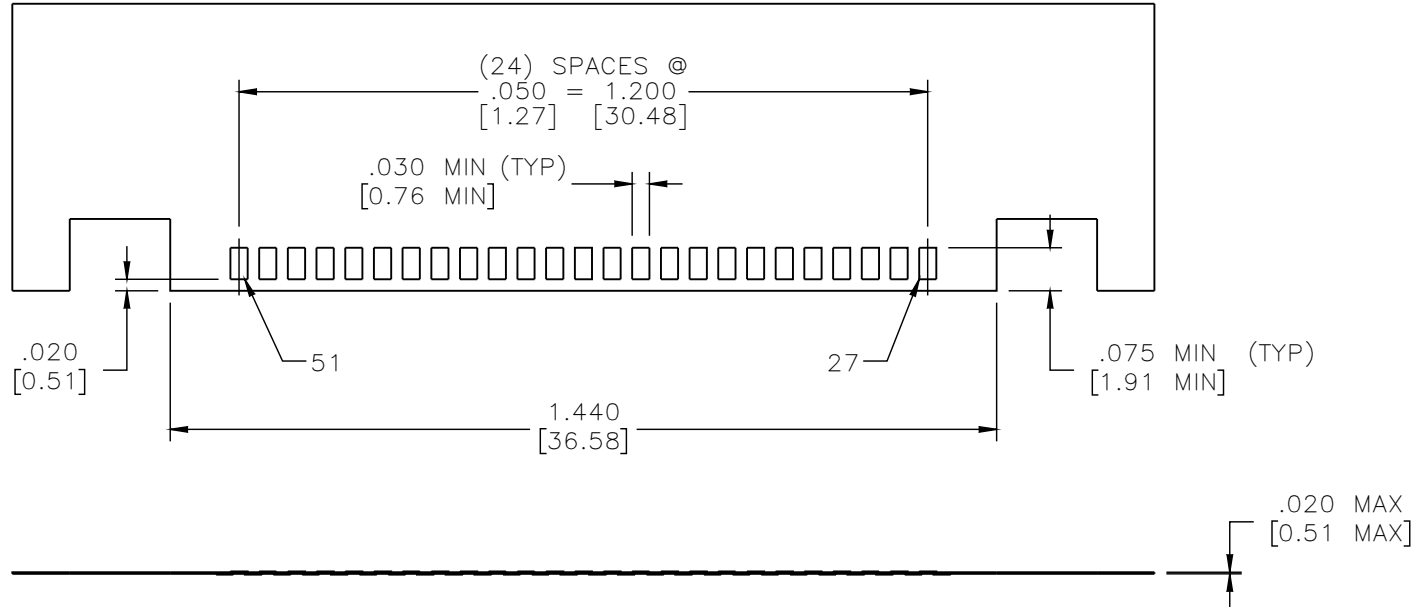
BERYLLIUM COPPER PER ASTM B194, C17200, GOLD PLATED PER ASTM B488, (HARD GOLD) TYPE II CODE C, CLASS 1.27 (CONTACT MATING AREA ONLY)

TERMINATION:

SOLDER COATED WITH SN63A PER J-STD-006 OR AMS-P-81728

HARDWARE:

STAINLESS STEEL, PASSIVATED PER SAE-AMS-2700



SUGGESTED PAD LAYOUT

NOTES:

△ PCB NEEDS A FEATURE TO ACCOMMODATE JACKPOST THREADS

DIMENSIONS IN [] ARE IN MILLIMETERS UNLESS OTHERWISE NOTED AND ARE FOR REFERENCE ONLY

MMDP SLDW	THIRD ANGLE	THIS DRAWING CONTAINS CONFIDENTIAL AND PROPRIETARY INFORMATION WHICH IS THE PROPERTY OF OMNETICS CONNECTOR CORP. THIS DOCUMENT MAY NOT, IN WHOLE OR IN PART, BE DUPLICATED, OR DISCLOSED FOR ANY PURPOSE, WITHOUT WRITTEN PERMISSION FROM OMNETICS CONNECTOR CORP.		OMNETICS	CAGE CODE 61873	
	-TOLERANCES-	DFTM. HV	DATE		CONNECTOR CORPORATION	DWG NO. A98062-512
	UNLESS OTHERWISE NOTED	CHK'D.	DATE	7260 COMMERCE CIRCLE EAST	SHEET 2 OF 2	
	DIMENSIONS IN INCHES	APP'D.	DATE	MINNEAPOLIS, MN 55432	REV	
2 PL DEC ± .01			WWW.OMNETICS.COM	SCALE: 3:1		
3 PL DEC ± .005				A		
4 PL DEC ± .0005						
ANGLES ± 1°						

TITLE: (51) PIN MALE MICRO-D CONNECTOR W/JACKPOSTS