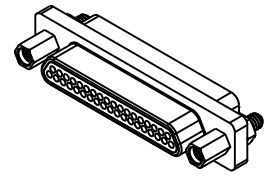
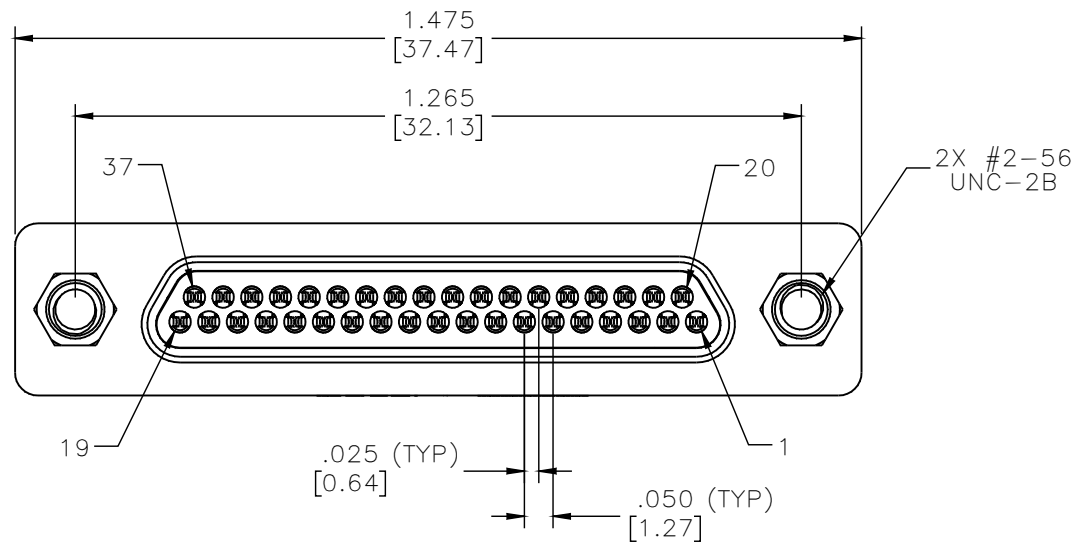
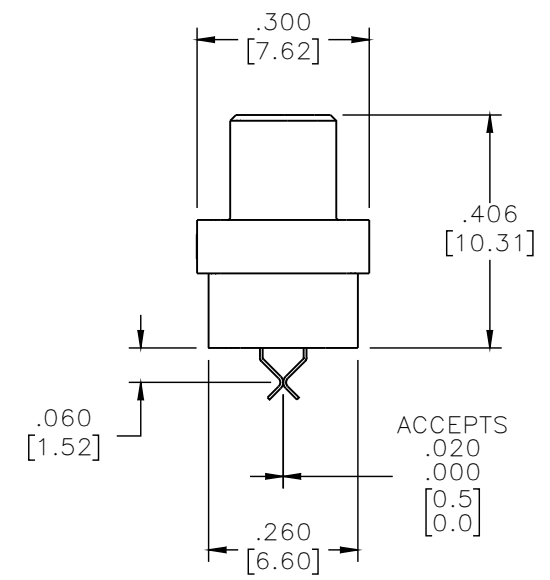
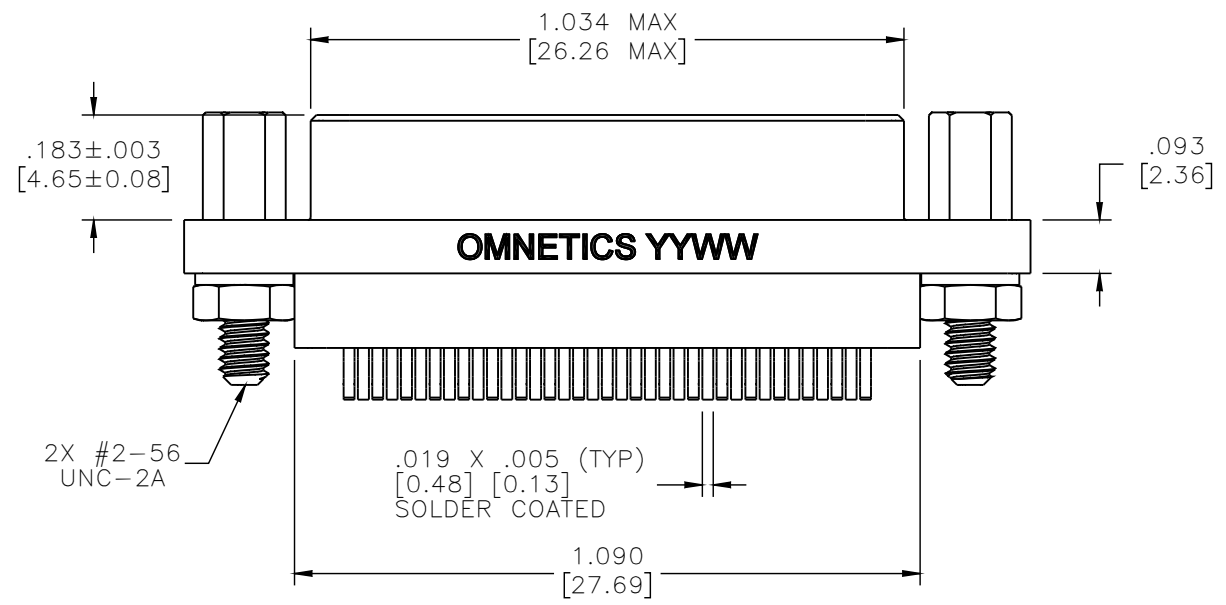


PART NO.	A98062-037	REV	ECO	DATE	APP
		A	105662	07-29-19	TLM



ACTUAL SIZE



VIEW SHOWN LESS HARDWARE

NOTE:
DIMENSIONS IN [] ARE IN MILLIMETERS UNLESS OTHERWISE NOTED AND ARE FOR REFERENCE ONLY

MMDP SLDW	THIRD ANGLE	THIS DRAWING CONTAINS CONFIDENTIAL AND PROPRIETARY INFORMATION WHICH IS THE PROPERTY OF OMNETICS CONNECTOR CORP. THIS DOCUMENT MAY NOT, IN WHOLE OR IN PART, BE DUPLICATED, OR DISCLOSED FOR ANY PURPOSE, WITHOUT WRITTEN PERMISSION FROM OMNETICS CONNECTOR CORP.	
	-TOLERANCES-	DFTM. EDG	TITLE: (37) PIN MALE MICRO-D CONNECTOR W/ JACKPOSTS
	UNLESS OTHERWISE NOTED	CHK'D.	DATE: 07-01-19
	DIMENSIONS IN INCHES	APP'D.	DATE:
	2 PL DEC±.01		
	3 PL DEC±.005		
	4 PL DEC±.0005		
	ANGLES ± 1°		

 CONNECTOR CORPORATION 7260 COMMERCE CIRCLE EAST MINNEAPOLIS, MN 55432 WWW.OMNETICS.COM	CAGE CODE 61873
	DWG NO. A98062-037
	SHEET 1 OF 2
	SCALE: 3:1
	REV A

PART NO.	A98062-037	REV	ECO	DATE	APP
		A	105662	07-29-19	TLM

MATERIALS

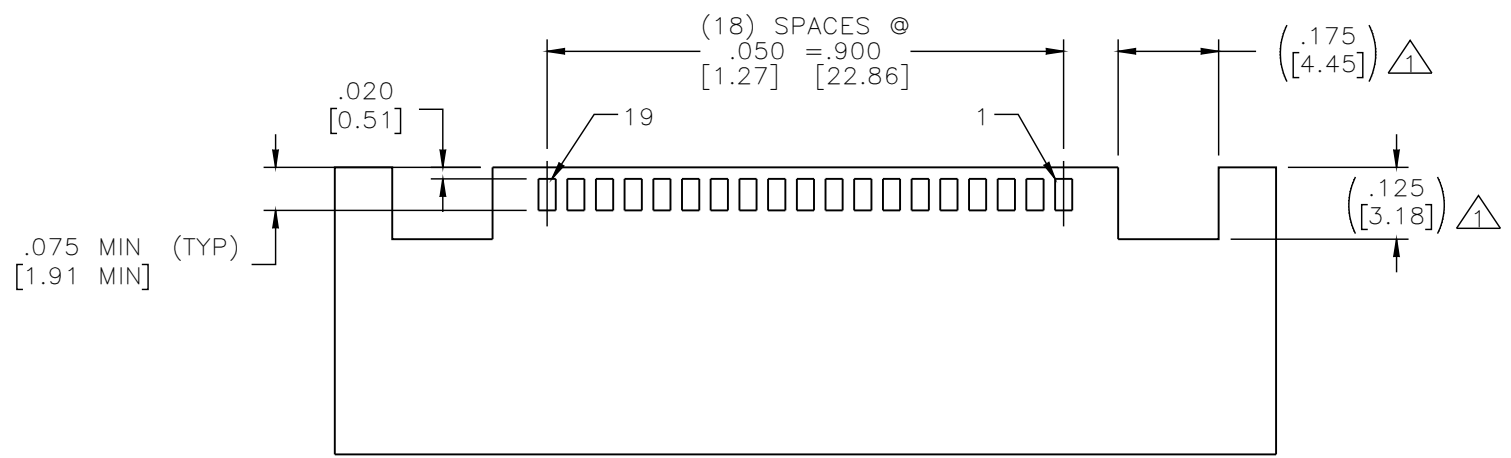
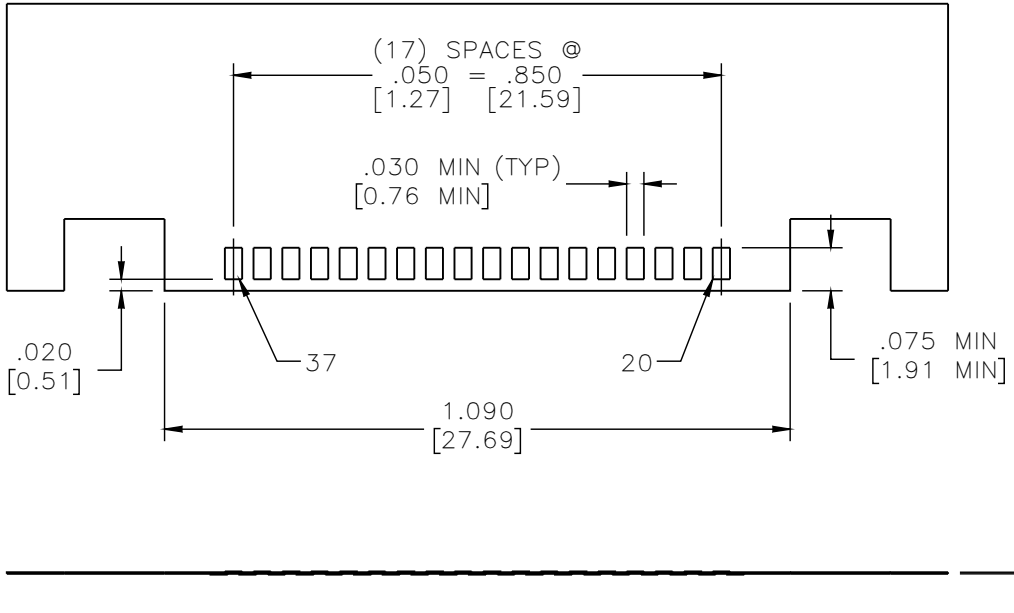
HOUSING:
ALUMINUM 6061, NICKEL PLATE (500 MICROINCHES MINIMUM) PER SAE-AMS-2404

INSULATOR:
LIQUID CRYSTAL POLYMER (LCP) PER ASTM D5138

CONTACT:
BERYLLIUM COPPER PER ASTM B194, C17200, GOLD PLATED PER ASTM B488, (HARD GOLD) TYPE II CODE C, CLASS 1.27 (CONTACT MATING AREA ONLY)

TERMINATION:
SOLDER COATED WITH SN63A PER J-STD-006 OR AMS-P-81728

HARDWARE:
STAINLESS STEEL, PASSIVATED PER SAE-AMS-2700



SUGGESTED PAD LAYOUT

NOTES:
1 PCB NEEDS A FEATURE TO ACCOMMODATE JACKPOST THREADS

DIMENSIONS IN [] ARE IN MILLIMETERS UNLESS OTHERWISE NOTED AND ARE FOR REFERENCE ONLY

MMDP SLDW	THIRD ANGLE	THIS DRAWING CONTAINS CONFIDENTIAL AND PROPRIETARY INFORMATION WHICH IS THE PROPERTY OF OMNETICS CONNECTOR CORP. THIS DOCUMENT MAY NOT, IN WHOLE OR IN PART, BE DUPLICATED, OR DISCLOSED FOR ANY PURPOSE, WITHOUT WRITTEN PERMISSION FROM OMNETICS CONNECTOR CORP.		OMNETICS	CAGE CODE 61873	
	-TOLERANCES-	DFTM. EDG	DATE		CONNECTOR CORPORATION	DWG NO.
	UNLESS OTHERWISE NOTED	CHK'D.	DATE	7260 COMMERCE CIRCLE EAST	A98062-037	
	DIMENSIONS IN INCHES	APP'D.	DATE	MINNEAPOLIS, MN 55432	SHEET 2 OF 2	REV
2 PL DEC ± .01			WWW.OMNETICS.COM	SCALE: 3:1	A	
3 PL DEC ± .005						
4 PL DEC ± .0005						
ANGLES ± 1°						

TITLE:
**(37) PIN MALE
MICRO-D CONNECTOR
W/ JACKPOSTS**