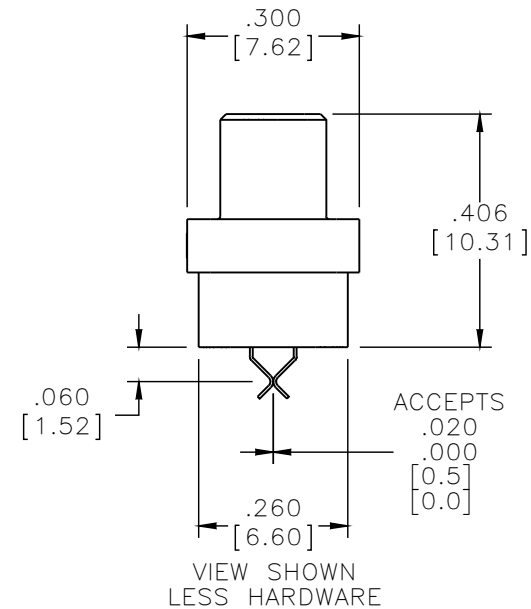
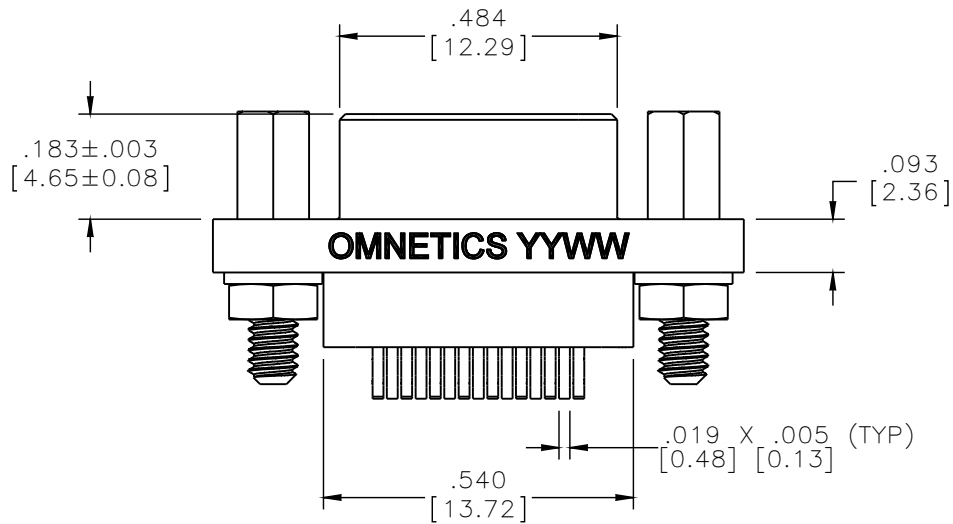
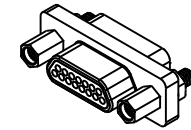
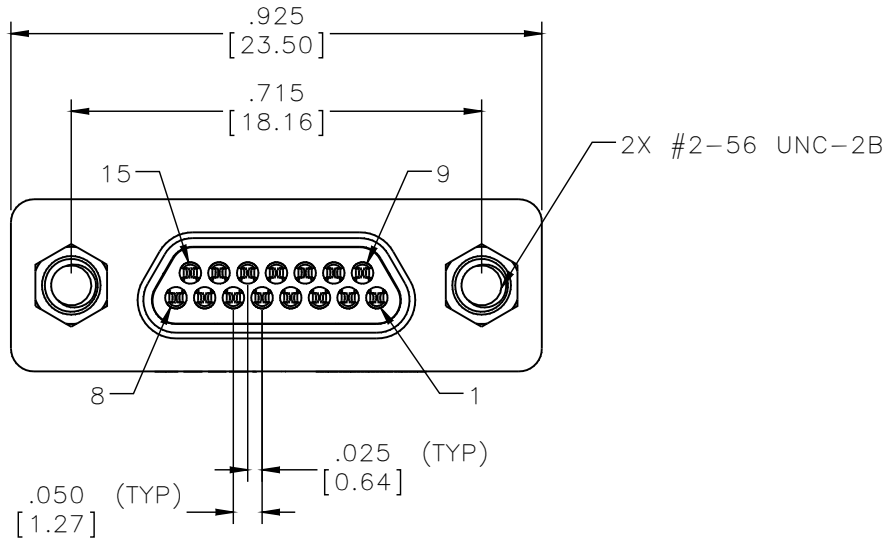


PART NO.	A98062-015	REV	ECO	DATE	APP
		A	99307	02-26-13	TLM



NOTE:  
DIMENSIONS IN [ ] ARE IN MILLIMETERS UNLESS OTHERWISE NOTED AND ARE FOR REFERENCE ONLY

MMDP SLDW	THIRD ANGLE
	-TOLERANCES-
	UNLESS OTHERWISE NOTED
	DIMENSIONS IN INCHES
	2 PL DEC±.01
	3 PL DEC±.005
	4 PL DEC±.0005
	ANGLES ± 1°

THIS DRAWING CONTAINS CONFIDENTIAL AND PROPRIETARY INFORMATION WHICH IS THE PROPERTY OF OMNETICS CONNECTOR CORP. THIS DOCUMENT MAY NOT, IN WHOLE OR IN PART, BE DUPLICATED, OR DISCLOSED FOR ANY PURPOSE, WITHOUT WRITTEN PERMISSION FROM OMNETICS CONNECTOR CORP.	
DFTM. TLM	DATE 02-25-13
CHK'D.	DATE
APP'D.	DATE
TITLE: (15) PIN MALE MICRO-D CONNECTOR W/JACKPOST	

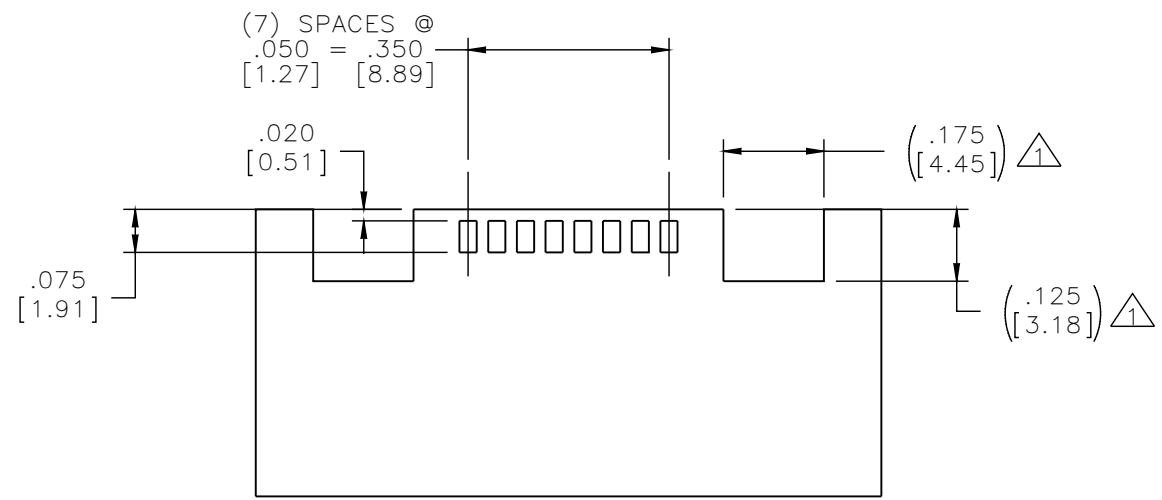
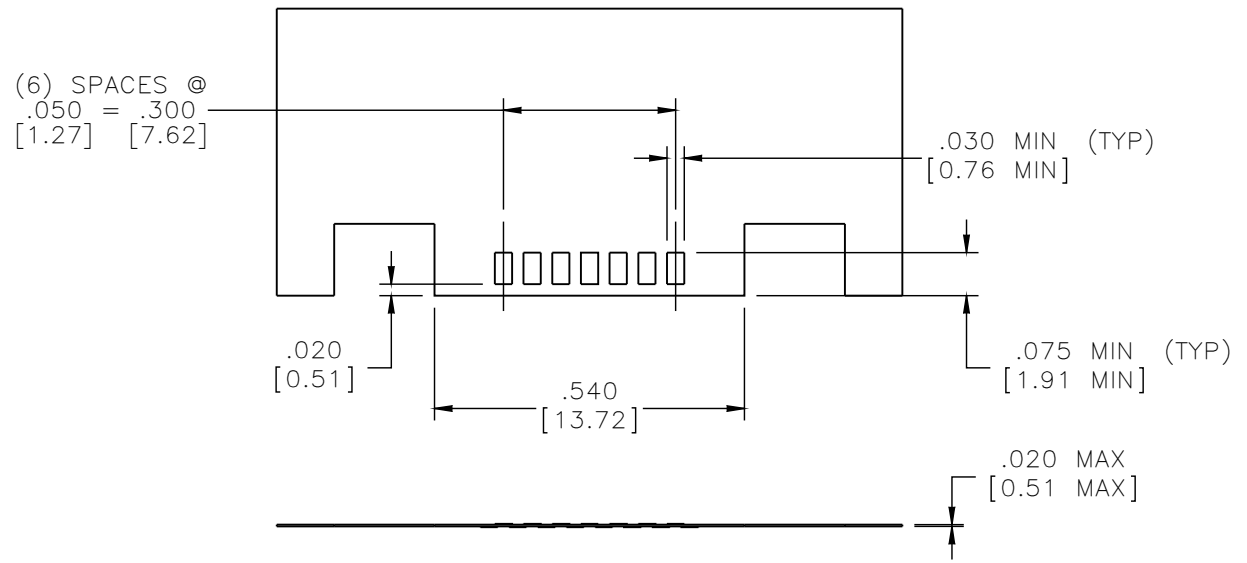
**OMNETICS**  
CONNECTOR CORPORATION  
7260 COMMERCE CIRCLE EAST  
MINNEAPOLIS, MN 55432  
WWW.OMNETICS.COM

CAGE CODE 61873	
DWG NO. A98062-015	
SHEET 1 OF 2	REV A
SCALE: 3:1	

PART NO.	A98062-015	REV	ECO	DATE	APP
		A	99307	02-26-13	TLM

**MATERIALS**

- HOUSING:**  
ALUMINUM 6061-T6, NICKEL PLATE PER SAE-AMS-2404
- INSULATOR:**  
LIQUID CRYSTAL POLYMER (LCP) PER ASTM D5138
- CONTACT:**  
BERYLLIUM COPPER PER ASTM B194, C17200, GOLD PLATED PER ASTM B488, (HARD GOLD) TYPE II CODE C, CLASS 1.27
- TERMINATION:**  
SOLDER COATED WITH SN63A PER J-STD-006 OR AMS-P-81728
- HARDWARE:**  
STAINLESS STEEL, PASSIVATED PER SAE-AMS-2700



SUGGESTED PAD LAYOUT

NOTE:  $\triangle$  PCB NEEDS A FEATURE TO ACCOMMODATE JACKPOST THREADS

MMDP SLDW	THIRD ANGLE $\triangle$	THIS DRAWING CONTAINS CONFIDENTIAL AND PROPRIETARY INFORMATION WHICH IS THE PROPERTY OF OMNETICS CONNECTOR CORP. THIS DOCUMENT MAY NOT, IN WHOLE OR IN PART, BE DUPLICATED, OR DISCLOSED FOR ANY PURPOSE, WITHOUT WRITTEN PERMISSION FROM OMNETICS CONNECTOR CORP.		<b>OMNETICS</b> CONNECTOR CORPORATION 7260 COMMERCE CIRCLE EAST MINNEAPOLIS, MN 55432 WWW.OMNETICS.COM	CAGE CODE <b>61873</b>	
	-TOLERANCES- UNLESS OTHERWISE NOTED DIMENSIONS IN INCHES	DFTM. TLM	DATE 02-25-13		TITLE: (15) PIN MALE MICRO-D CONNECTOR W/JACKPOST	DWG NO. <b>A98062-015</b>
	2 PL DEC $\pm$ .01	CHK'D.	DATE		SHEET 2 OF 2	
	3 PL DEC $\pm$ .005	APP'D.	DATE		REV A	SCALE: 3:1