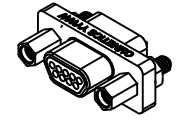
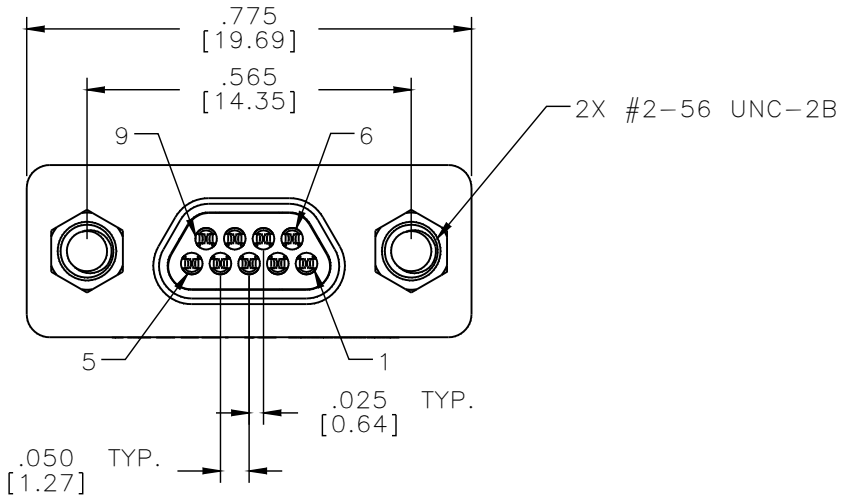
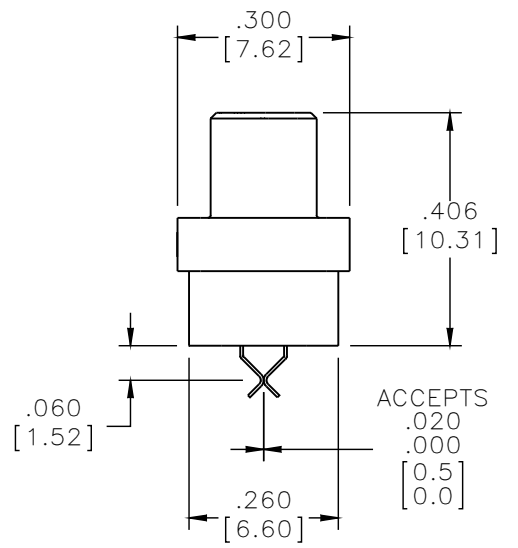
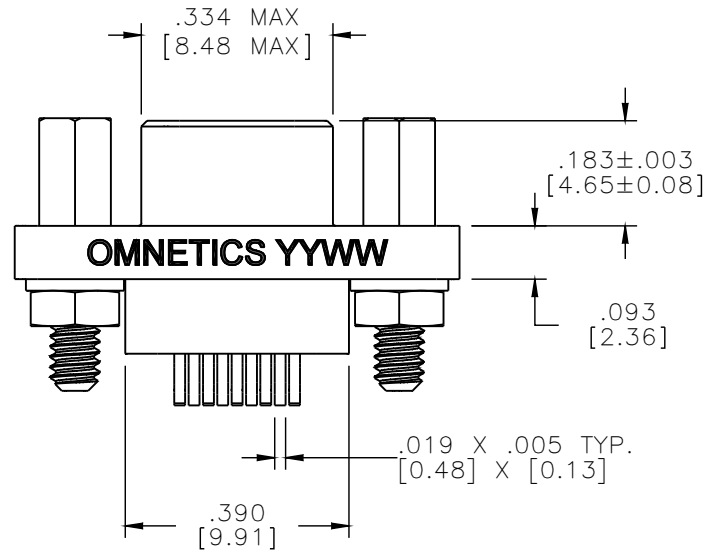


PART NO.	A98062-009	REV	ECO	DATE	APP
		A	98613	06-11-12	TLM



ACTUAL SIZE



VIEW SHOWN
LESS HARDWARE

NOTE:
DIMENSIONS IN [] ARE IN MILLIMETERS UNLESS OTHERWISE NOTED AND ARE FOR REFERENCE ONLY

MMDP SLDW	THIRD ANGLE	THIS DRAWING CONTAINS CONFIDENTIAL AND PROPRIETARY INFORMATION WHICH IS THE PROPERTY OF OMNETICS CONNECTOR CORP. THIS DOCUMENT MAY NOT, IN WHOLE OR IN PART, BE DUPLICATED, OR DISCLOSED FOR ANY PURPOSE, WITHOUT WRITTEN PERMISSION FROM OMNETICS CONNECTOR CORP.		<h1>OMNETICS</h1> <p>CONNECTOR CORPORATION</p> <p>7260 COMMERCE CIRCLE EAST MINNEAPOLIS, MN 55432 WWW.OMNETICS.COM</p>	CAGE CODE 61873		
	-TOLERANCES- UNLESS OTHERWISE NOTED	DFTM. TLM	DATE 06-08-12		TITLE:	DWG NO. A98062-009	
	DIMENSIONS IN INCHES	CHK'D.	DATE		(9) PIN MALE MICRO-D CONNECTOR W/JACKPOST	SHEET 1 OF 2	
	2 PL DEC±.01 3 PL DEC±.005 4 PL DEC±.0005 ANGLES ± 1°	APP'D.	DATE			REV	A
				SCALE: 3:1			

PART NO.	A98062-009	REV	ECO	DATE	APP
		A	98613	06-11-12	TLM

MATERIALS

HOUSING:

ALUMINUM 6061-T6, NICKEL PLATE PER AMS-C-26074

INSULATOR:

LIQUID CRYSTAL POLYMER (LCP) PER ASTM D5138

CONTACT:

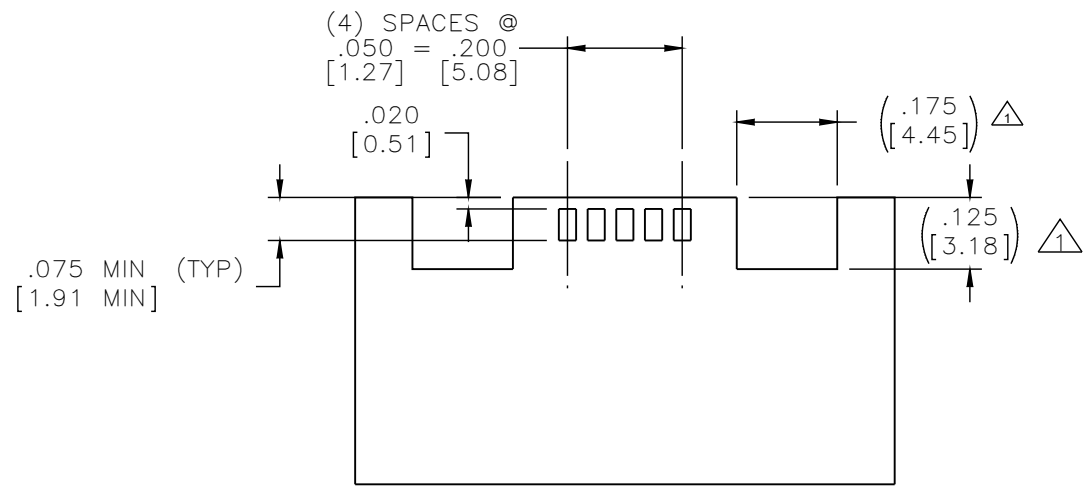
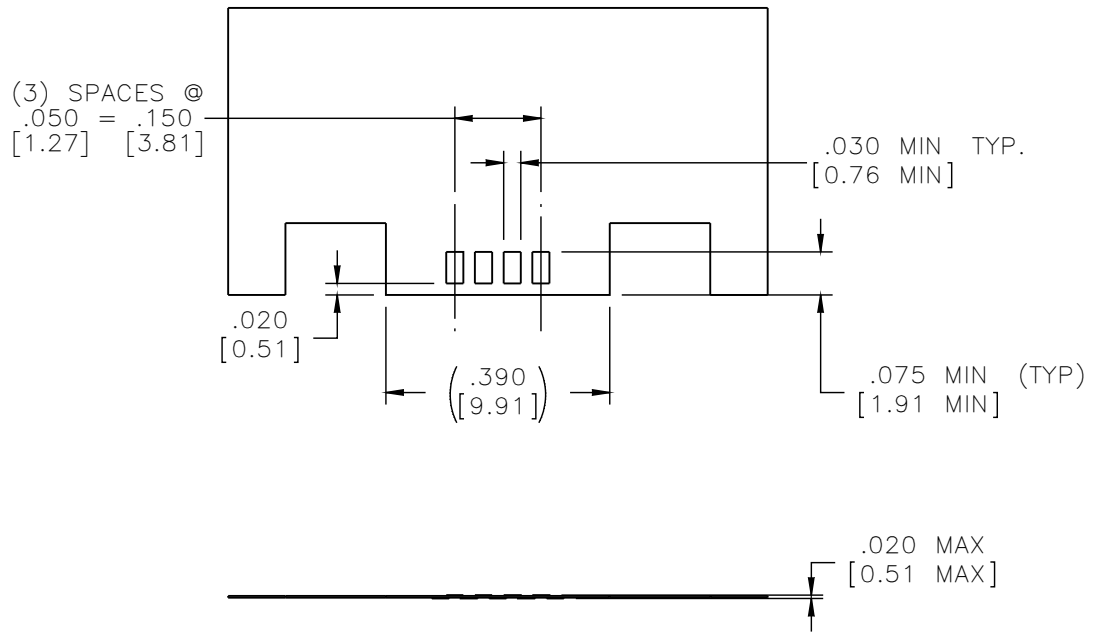
BERYLLIUM COPPER PER ASTM B194, C17200, GOLD PLATED PER ASTM B488, (HARD GOLD) TYPE II CODE C, CLASS 1.27

TERMINATION:

SOLDER COATED WITH SN63A PER J-STD-006 OR AMS-P-81728

HARDWARE:

STAINLESS STEEL, PASSIVATED PER SAE-AMS-2700



SUGGESTED PAD LAYOUT

NOTE: \triangle PCB NEEDS A FEATURE TO ACCOMMODATE JACKPOST THREADS

MMDP SLDW	THIRD ANGLE \triangle	THIS DRAWING CONTAINS CONFIDENTIAL AND PROPRIETARY INFORMATION WHICH IS THE PROPERTY OF OMNETICS CONNECTOR CORP. THIS DOCUMENT MAY NOT, IN WHOLE OR IN PART, BE DUPLICATED, OR DISCLOSED FOR ANY PURPOSE, WITHOUT WRITTEN PERMISSION FROM OMNETICS CONNECTOR CORP.		OMNETICS CONNECTOR CORPORATION 7260 COMMERCE CIRCLE EAST MINNEAPOLIS, MN 55432 WWW.OMNETICS.COM	CAGE CODE 61873	
	-TOLERANCES- UNLESS OTHERWISE NOTED DIMENSIONS IN INCHES	DFTM. TLM	DATE 06-08-12		TITLE: (9) PIN MALE MICRO-D CONNECTOR W/JACKPOST	DWG NO. A98062-009
	2 PL DEC \pm .01	CHK'D.	DATE		SHEET 2 OF 2	A
	3 PL DEC \pm .005 4 PL DEC \pm .0005 ANGLES \pm 1°	APP'D.	DATE		SCALE: 3:1	