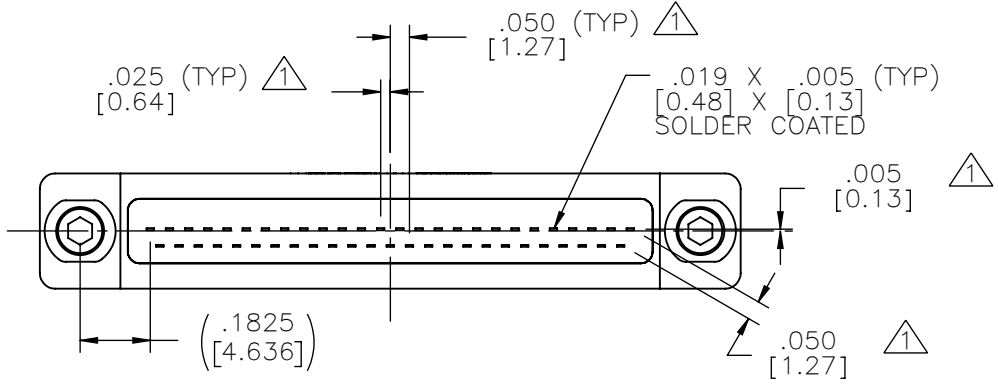
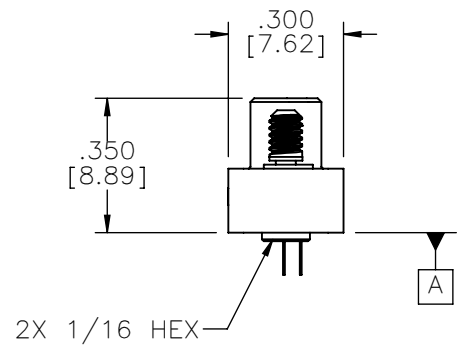
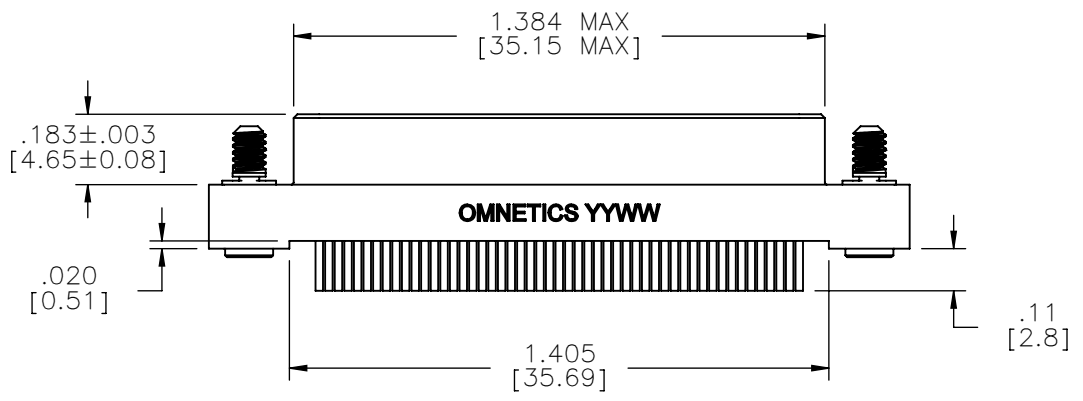
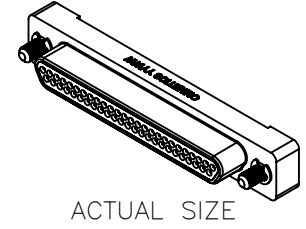
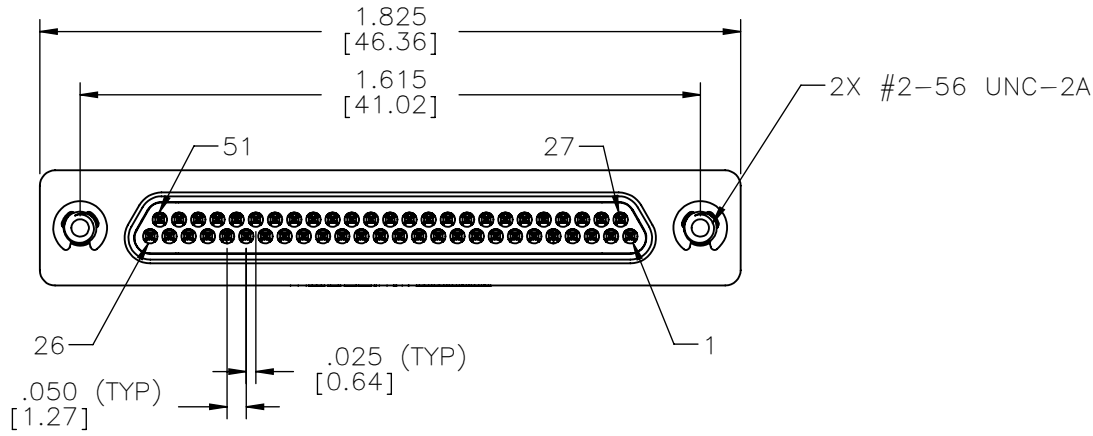


PART NO.	A98061-512	REV	ECO	DATE	APP
		C	104699	08-01-18	TLM



NOTE:
 DIMENSIONS IN [] ARE IN MILLIMETERS UNLESS OTHERWISE NOTED AND ARE FOR REFERENCE ONLY

△ TAIL DIMENSIONS APPLY AT PLANE A

MFG	THIRD ANGLE	THIS DRAWING CONTAINS CONFIDENTIAL AND PROPRIETARY INFORMATION WHICH IS THE PROPERTY OF OMNETICS CONNECTOR CORP. THIS DOCUMENT MAY NOT, IN WHOLE OR IN PART, BE DUPLICATED, OR DISCLOSED FOR ANY PURPOSE, WITHOUT WRITTEN PERMISSION FROM OMNETICS CONNECTOR CORP.	DATE	TITLE:
	-TOLERANCES-		02-10-14	(51) PIN MALE
	UNLESS OTHERWISE NOTED		DATE	STRAIGHT BOARD MOUNT
	DIMENSIONS IN INCHES		DATE	MICRO-D CONNECTOR
2 PL DEC ± .01	DFTM. TLM	APP'D.		
3 PL DEC ± .005	CHK'D.			
4 PL DEC ± .0005	DATE			
ANGLES ± 1°				

OMNETICS
 CONNECTOR CORPORATION
 7260 COMMERCE CIRCLE EAST
 MINNEAPOLIS, MN 55432
 WWW.OMNETICS.COM

CAGE CODE 61873	
DWG NO. A98061-512	
SHEET 1 OF 2	REV C
SCALE: 2:1	

PART NO.	A98061-512	REV	ECO	DATE	APP
		C	104699	08-01-18	TLM

MATERIALS

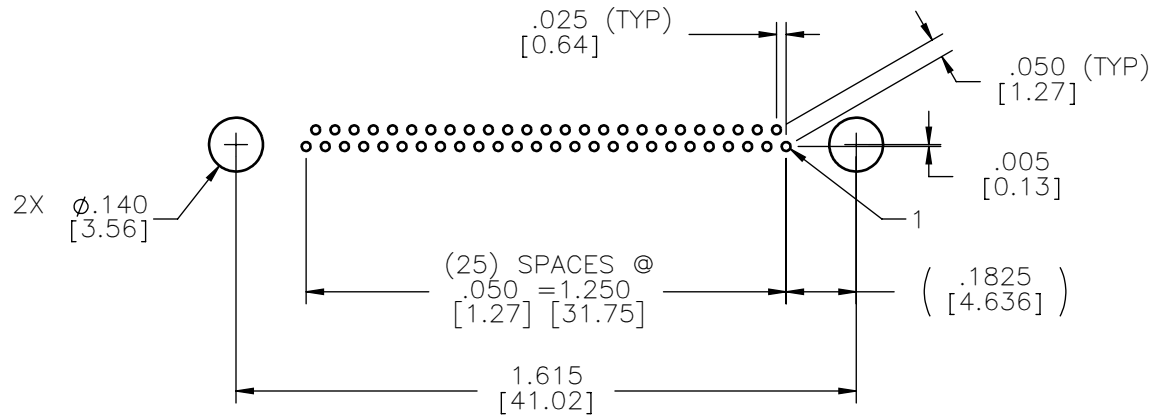
HOUSING:
 ALUMINUM 6061, NICKEL PLATE
 (500 MICROINCHES MINIMUM)
 PER SAE-AMS-2404

INSULATOR:
 LIQUID CRYSTAL POLYMER
 (LCP) PER ASTM D5138

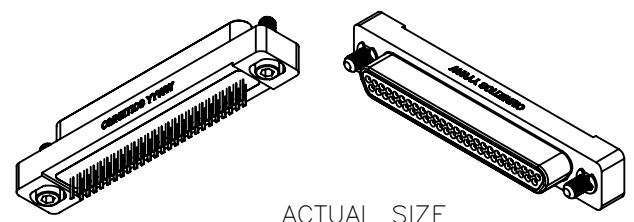
CONTACT:
 BERYLLIUM COPPER PER ASTM
 B194, C17200, GOLD PLATED
 PER ASTM B488, (HARD GOLD)
 TYPE II CODE C, CLASS 1.27

TERMINATION:
 SOLDER COATED WITH SN63A
 PER J-STD-006 OR AMS-P-
 81728

HARDWARE:
 STAINLESS STEEL, PASSIVATED
 PER SAE-AMS-2700



SUGGESTED HOLE PATTERN



ACTUAL SIZE

NOTE:
 DIMENSIONS IN [] ARE IN
 MILLIMETERS UNLESS
 OTHERWISE NOTED AND ARE
 FOR REFERENCE ONLY

MGT'S	THIRD ANGLE
	-TOLERANCES-
	UNLESS OTHERWISE NOTED
	DIMENSIONS IN INCHES
2	PL DEC ± .01
3	PL DEC ± .005
4	PL DEC ± .0005
	ANGLES ± 1°

THIS DRAWING CONTAINS CONFIDENTIAL AND PROPRIETARY INFORMATION WHICH IS THE PROPERTY OF OMNETICS CONNECTOR CORP. THIS DOCUMENT MAY NOT, IN WHOLE OR IN PART, BE DUPLICATED, OR DISCLOSED FOR ANY PURPOSE, WITHOUT WRITTEN PERMISSION FROM OMNETICS CONNECTOR CORP.	
DFTM.	TLM
DATE	02-10-14
CHK'D.	
DATE	
APP'D.	
DATE	

TITLE:	
(51) PIN MALE	
STRAIGHT BOARD MOUNT	
MICRO-D CONNECTOR	

OMNETICS
 CONNECTOR CORPORATION
 7260 COMMERCE CIRCLE EAST
 MINNEAPOLIS, MN 55432
 WWW.OMNETICS.COM

CAGE CODE 61873	
DWG NO. A98061-512	
SHEET 2 OF 2	REV C
SCALE: 2:1	