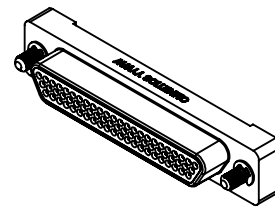
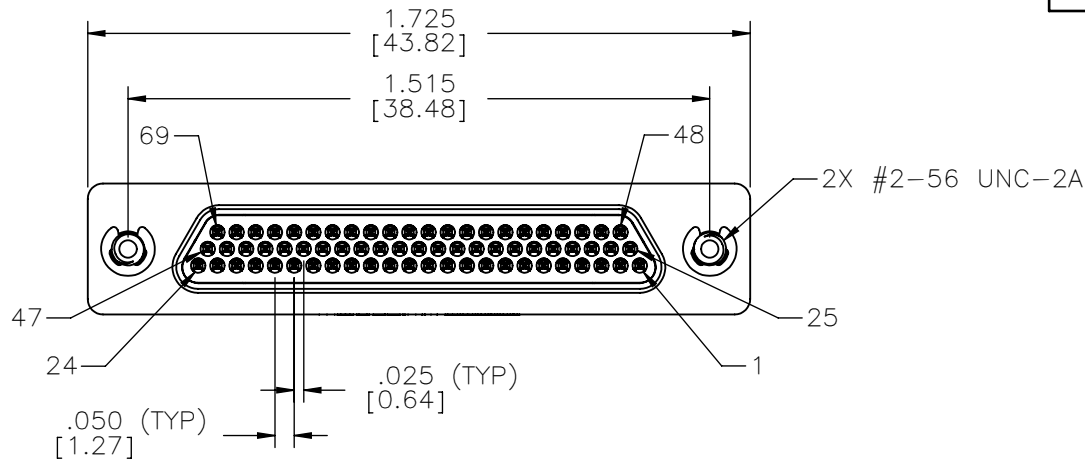
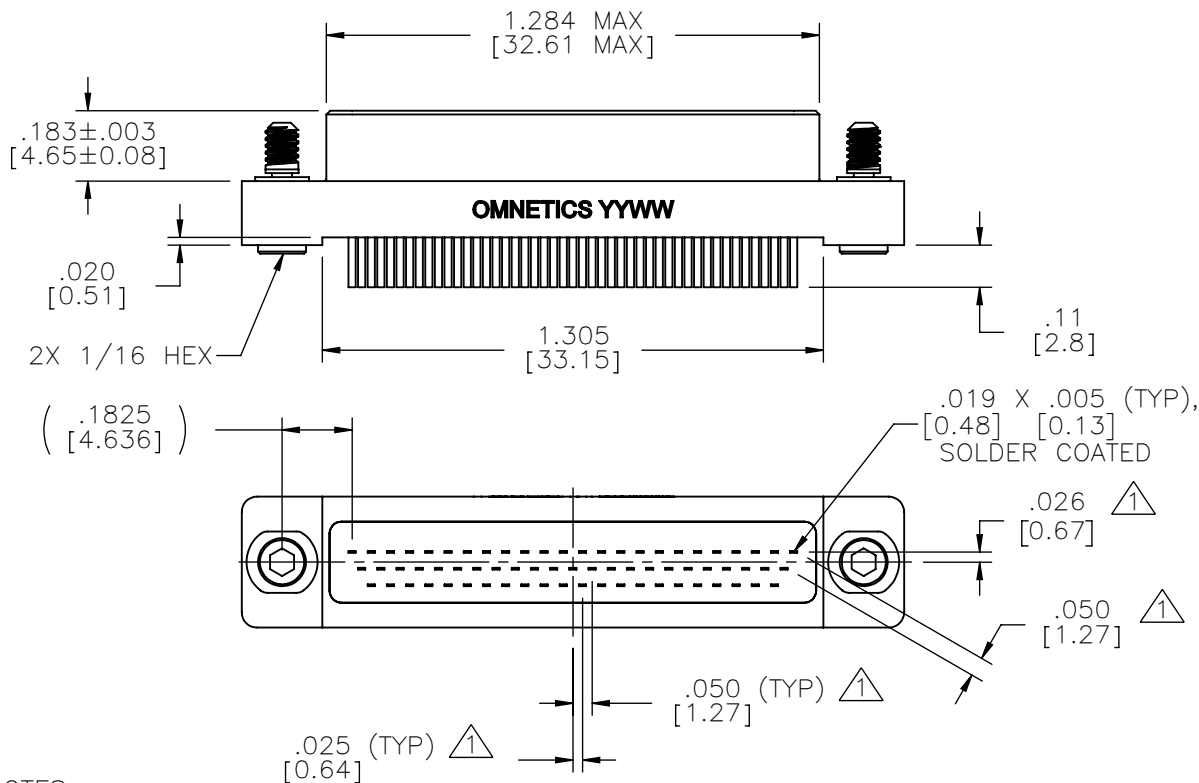


PART NO.	A98061-069	REV	ECO	DATE	APP
		A	104547	06-12-18	HV



ACTUAL SIZE



NOTES:

⚠ TAIL DIMENSIONS APPLY AT PLANE A

DIMENSIONS IN [ ] ARE IN MILLIMETERS UNLESS OTHERWISE NOTED AND ARE FOR REFERENCE ONLY

MFG	THIRD ANGLE
	-TOLERANCES-
	UNLESS OTHERWISE NOTED
	DIMENSIONS IN INCHES
MFG	2 PL DEC±.01
	3 PL DEC±.005
	4 PL DEC±.0005
	ANGLES ± 1°

THIS DRAWING CONTAINS CONFIDENTIAL AND PROPRIETARY INFORMATION WHICH IS THE PROPERTY OF OMNETICS CONNECTOR CORP. THIS DOCUMENT MAY NOT, IN WHOLE OR IN PART, BE DUPLICATED, OR DISCLOSED FOR ANY PURPOSE, WITHOUT WRITTEN PERMISSION FROM OMNETICS CONNECTOR CORP.	
DFTM. EDG	DATE 05-31-18
CHK'D.	DATE
APP'D.	DATE

TITLE:  
(69) PIN MALE  
STRAIGHT BOARD MOUNT  
MICRO-D CONNECTOR

**OMNETICS**  
CONNECTOR CORPORATION  
7260 COMMERCE CIRCLE EAST  
MINNEAPOLIS, MN 55432  
WWW.OMNETICS.COM

CAGE CODE 61873	
DWG NO. A98061-069	
SHEET 1 OF 2	REV A
SCALE: 2:1	

PART NO.	A98061-069	REV	ECO	DATE	APP
		A	104547	06-12-18	HV

**MATERIALS**

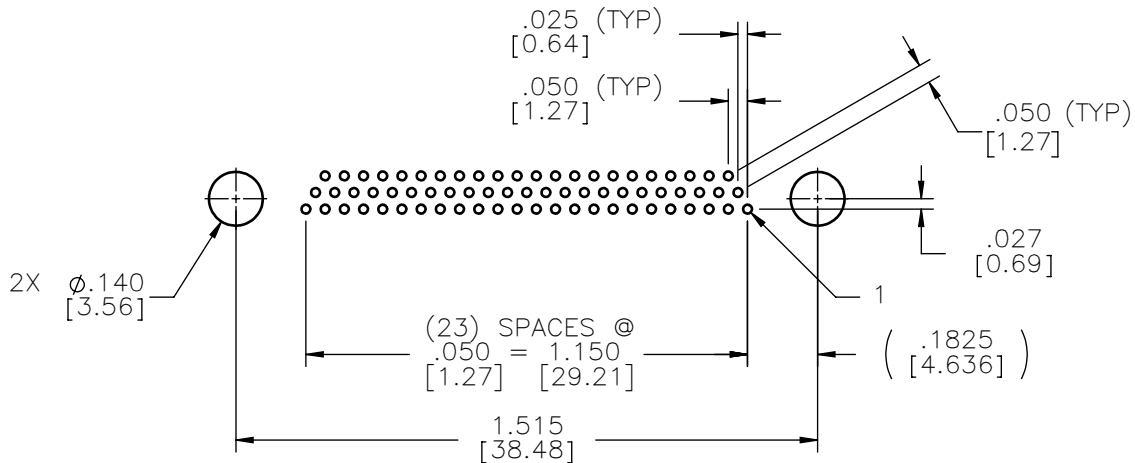
HOUSING:  
ALUMINUM 6061, NICKEL PLATED  
(500 MICRONS MINIMUM)  
PER SAE-AMS-2404

INSULATOR:  
LIQUID CRYSTAL POLYMER (LCP)  
PER ASTM D5138

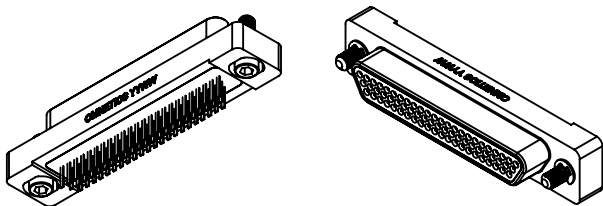
CONTACT:  
BERYLLIUM COPPER PER ASTM  
B194, C17200, GOLD PLATED  
PER ASTM B488, (HARD GOLD)  
TYPE II CODE C, CLASS 1.27

TERMINATION:  
SOLDER COATED WITH SN63A  
PER J-STD-006 OR AMS-P-  
81728

HARDWARE:  
STAINLESS STEEL, PASSIVATED  
PER SAE-AMS-2700



SUGGESTED HOLE PATTERN



ACTUAL SIZE

**NOTE:**

DIMENSIONS IN [ ] ARE IN MILLIMETERS UNLESS OTHERWISE NOTED AND ARE FOR REFERENCE ONLY

MGT'S	THIRD ANGLE
	-TOLERANCES-
	UNLESS OTHERWISE NOTED
	DIMENSIONS IN INCHES
2	PL DEC ± .01
3	PL DEC ± .005
4	PL DEC ± .0005
	ANGLES ± 1°

THIS DRAWING CONTAINS CONFIDENTIAL AND PROPRIETARY INFORMATION WHICH IS THE PROPERTY OF OMNETICS CONNECTOR CORP. THIS DOCUMENT MAY NOT, IN WHOLE OR IN PART, BE DUPLICATED, OR DISCLOSED FOR ANY PURPOSE, WITHOUT WRITTEN PERMISSION FROM OMNETICS CONNECTOR CORP.

DFTM. EDG	DATE
CHK'D.	05-31-18
APP'D.	DATE

TITLE:  
(69) PIN MALE  
STRAIGHT BOARD MOUNT  
MICRO-D CONNECTOR

**OMNETICS**  
CONNECTOR CORPORATION  
7260 COMMERCE CIRCLE EAST  
MINNEAPOLIS, MN 55432  
WWW.OMNETICS.COM

CAGE CODE 61873	
DWG NO. A98061-069	
SHEET 2 OF 2	REV A
SCALE: 2:1	