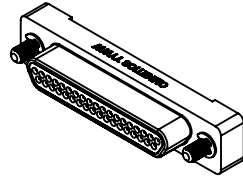
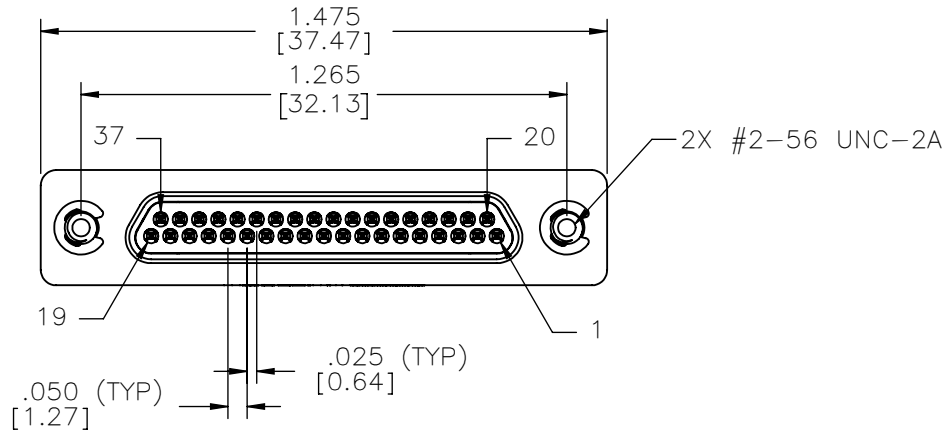
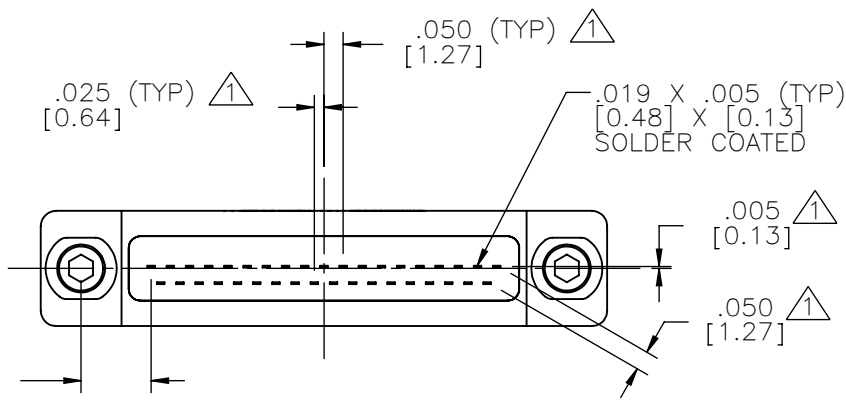
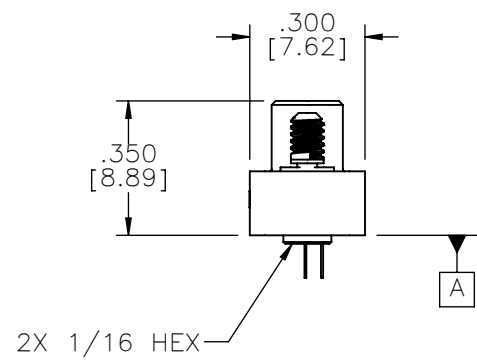
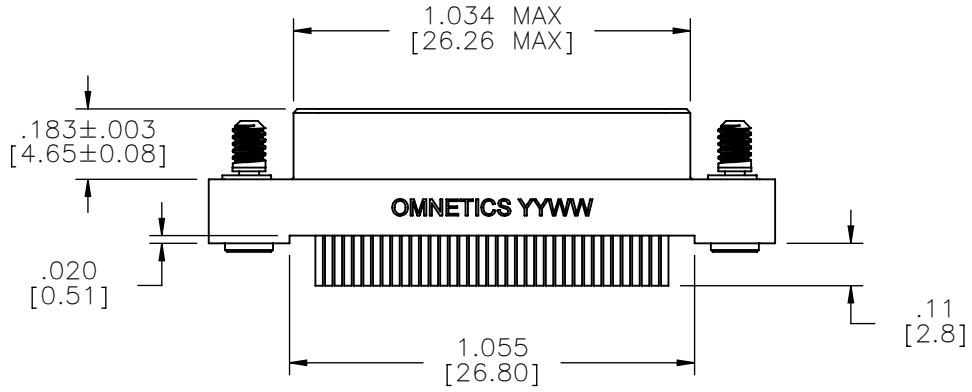


PART NO.	A98061-037	REV	ECO	DATE	APP
		B	104699	08-01-18	TLM



ACTUAL SIZE



NOTE: (.1825 [4.636])

DIMENSIONS IN [] ARE IN MILLIMETERS UNLESS OTHERWISE NOTED AND ARE FOR REFERENCE ONLY

△ TAIL DIMENSIONS APPLY AT PLANE A

MFG	THIRD ANGLE	THIS DRAWING CONTAINS CONFIDENTIAL AND PROPRIETARY INFORMATION WHICH IS THE PROPERTY OF OMNETICS CONNECTOR CORP. THIS DOCUMENT MAY NOT, IN WHOLE OR IN PART, BE DUPLICATED, OR DISCLOSED FOR ANY PURPOSE, WITHOUT WRITTEN PERMISSION FROM OMNETICS CONNECTOR CORP.	DATE	TITLE:
	-TOLERANCES-			
SOLD	UNLESS OTHERWISE NOTED			
	DIMENSIONS IN INCHES	DFTM. TLM	05-21-12	(37) PIN MALE
	2 PL DEC ± .01	CHK'D.		STRAIGHT BOARD MOUNT
	3 PL DEC ± .005	APP'D.		MICRO-D CONNECTOR
	4 PL DEC ± .0005			
	ANGLES ± 1°			

OMNETICS CONNECTOR CORPORATION 7260 COMMERCE CIRCLE EAST MINNEAPOLIS, MN 55432 WWW.OMNETICS.COM	CAGE CODE 61873
	DWG NO. A98061-037
	SHEET 1 OF 2
	REV B
	SCALE: 2:1

PART NO.	A98061-037	REV	ECO	DATE	APP
		B	104699	08-01-18	TLM

MATERIALS

HOUSING:

ALUMINUM 6061, NICKEL PLATE
(500 MICROINCHES MINIMUM)
PER SAE-AMS-2404

INSULATOR:

LIQUID CRYSTAL POLYMER
(LCP) PER ASTM D5138

CONTACT:

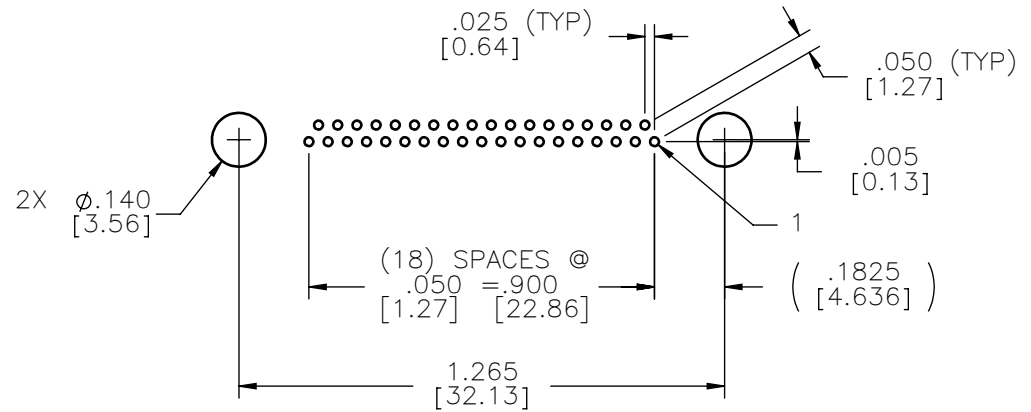
BERYLLIUM COPPER PER ASTM
B194, C17200, GOLD PLATED
PER ASTM B488, (HARD GOLD)
TYPE II CODE C, CLASS 1.27

TERMINATION:

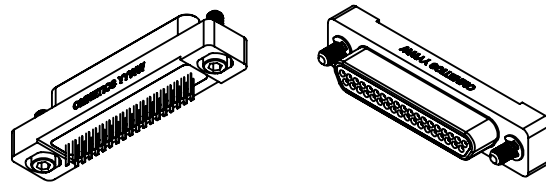
SOLDER COATED WITH SN63A
PER J-STD-006 OR AMS-P-
81728

HARDWARE:

STAINLESS STEEL, PASSIVATED
PER SAE-AMS-2700



SUGGESTED HOLE PATTERN



ACTUAL SIZE

NOTE:

DIMENSIONS IN [] ARE IN MILLIMETERS UNLESS OTHERWISE NOTED AND ARE FOR REFERENCE ONLY

MTC	THIRD ANGLE	THIS DRAWING CONTAINS CONFIDENTIAL AND PROPRIETARY INFORMATION WHICH IS THE PROPERTY OF OMNETICS CONNECTOR CORP. THIS DOCUMENT MAY NOT, IN WHOLE OR IN PART, BE DUPLICATED, OR DISCLOSED FOR ANY PURPOSE, WITHOUT WRITTEN PERMISSION FROM OMNETICS CONNECTOR CORP.		OMNETICS	CAGE CODE 61873	
	-TOLERANCES-	DFTM. TLM DATE 05-21-12			CONNECTOR CORPORATION	
	UNLESS OTHERWISE NOTED	CHK'D.		7260 COMMERCE CIRCLE EAST		DWG NO. A98061-037
	DIMENSIONS IN INCHES	APP'D.		MINNEAPOLIS, MN 55432		SHEET 2 OF 2
2 PL DEC ± .01			WWW.OMNETICS.COM		REV B	
3 PL DEC ± .005					SCALE: 2:1	
4 PL DEC ± .0005						
ANGLES ± 1°						

TITLE:
**(37) PIN MALE
STRAIGHT BOARD MOUNT
MICRO-D CONNECTOR**