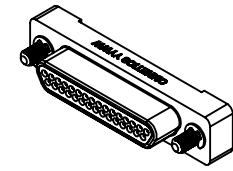
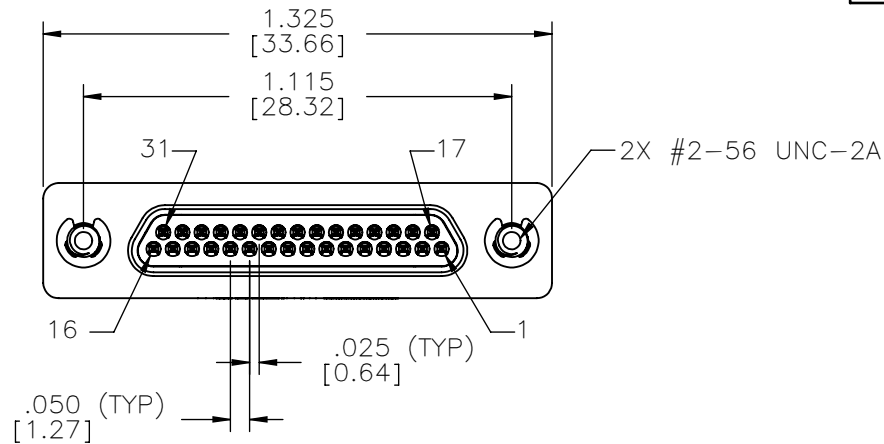
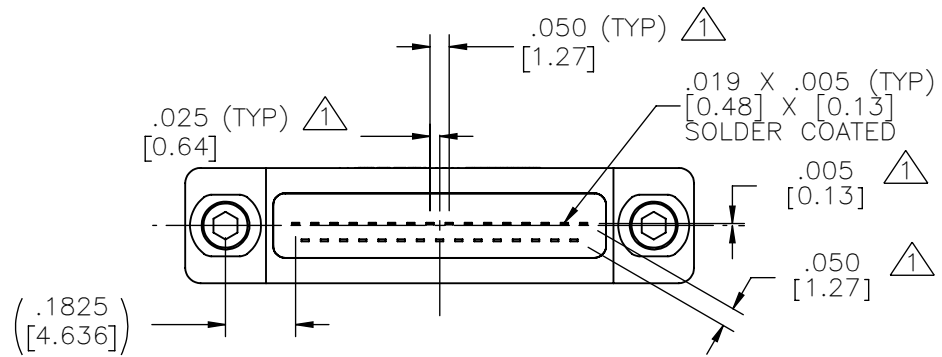
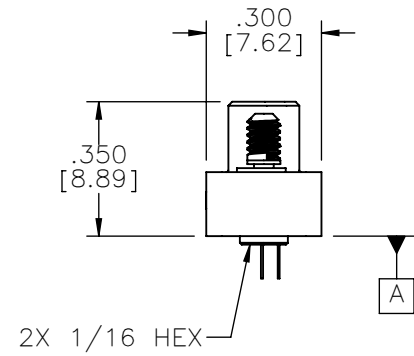
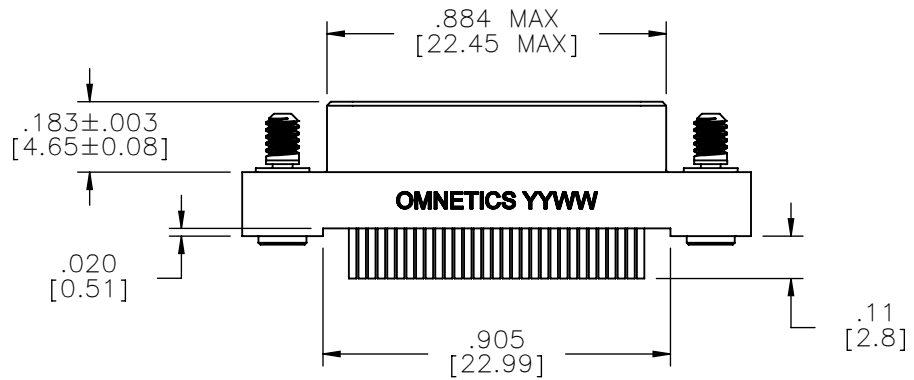


PART NO.	A98061-031	REV	ECO	DATE	APP
		B	104699	08-01-18	TLM



ACTUAL SIZE



NOTES:
 ▲ TAIL DIMENSIONS
 APPLY AT PLANE **A**

DIMENSIONS IN [] ARE IN MILLIMETERS UNLESS OTHERWISE NOTED AND ARE FOR REFERENCE ONLY

MFG	THIRD ANGLE	THIS DRAWING CONTAINS CONFIDENTIAL AND PROPRIETARY INFORMATION WHICH IS THE PROPERTY OF OMNETICS CONNECTOR CORP. THIS DOCUMENT MAY NOT, IN WHOLE OR IN PART, BE DUPLICATED, OR DISCLOSED FOR ANY PURPOSE, WITHOUT WRITTEN PERMISSION FROM OMNETICS CONNECTOR CORP.	
	-TOLERANCES-	DFTM. TLM	TITLE:
	UNLESS OTHERWISE NOTED	DATE 02-23-17	(31) PIN MALE
	DIMENSIONS IN INCHES	DATE	STRAIGHT BOARD MOUNT
2 PL DEC± .01	DATE	MICRO-D CONNECTOR	
3 PL DEC± .005	DATE		
4 PL DEC± .0005	DATE		
ANGLES ± 1°	DATE		

OMNETICS
 CONNECTOR CORPORATION
 7260 COMMERCE CIRCLE EAST
 MINNEAPOLIS, MN 55432
 WWW.OMNETICS.COM

CAGE CODE 61873	
DWG NO. A98061-031	
SHEET 1 OF 2	REV B
SCALE: 2:1	

PART NO.	A98061-031	REV	ECO	DATE	APP
		B	104699	08-01-18	TLM

MATERIALS

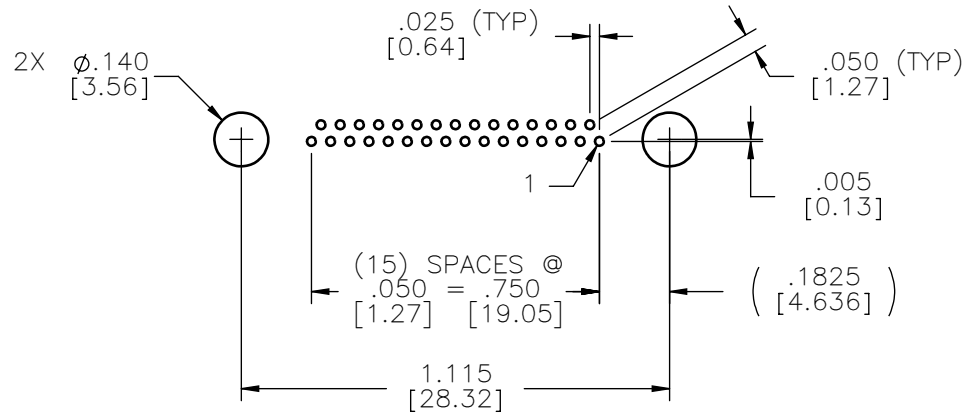
HOUSING:
ALUMINUM 6061, NICKEL PLATE
(500 MICROINCHES MINIMUM)
PER SAE-AMS-2404

INSULATOR:
LIQUID CRYSTAL POLYMER
(LCP) PER ASTM D5138

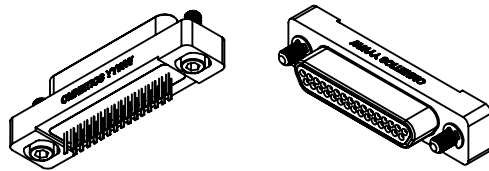
CONTACT:
BERYLLIUM COPPER PER ASTM
B194, C17200, GOLD PLATED
PER ASTM B488, (HARD GOLD)
TYPE II CODE C, CLASS 1.27

TERMINATION:
SOLDER COATED WITH SN63A
PER J-STD-006 OR AMS-P-
81728

HARDWARE:
STAINLESS STEEL, PASSIVATED
PER SAE-AMS-2700



SUGGESTED HOLE PATTERN



ACTUAL SIZE

NOTE:

DIMENSIONS IN [] ARE IN MILLIMETERS UNLESS OTHERWISE NOTED AND ARE FOR REFERENCE ONLY

MGT'S	DWG	THIRD ANGLE	THIS DRAWING CONTAINS CONFIDENTIAL AND PROPRIETARY INFORMATION WHICH IS THE PROPERTY OF OMNETICS CONNECTOR CORP. THIS DOCUMENT MAY NOT, IN WHOLE OR IN PART, BE DUPLICATED, OR DISCLOSED FOR ANY PURPOSE, WITHOUT WRITTEN PERMISSION FROM OMNETICS CONNECTOR CORP.		OMNETICS CONNECTOR CORPORATION 7260 COMMERCE CIRCLE EAST MINNEAPOLIS, MN 55432 WWW.OMNETICS.COM	CAGE CODE 61873	
		-TOLERANCES- UNLESS OTHERWISE NOTED DIMENSIONS IN INCHES	DFTM. TLM	DATE 02-23-17		TITLE: (31) PIN MALE STRAIGHT BOARD MOUNT MICRO-D CONNECTOR	DWG NO. A98061-031
		2 PL DEC ± .01 3 PL DEC ± .005 4 PL DEC ± .0005 ANGLES ± 1°	CHK'D.	DATE		SCALE: 2:1	
		APP'D.		DATE			