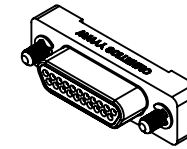
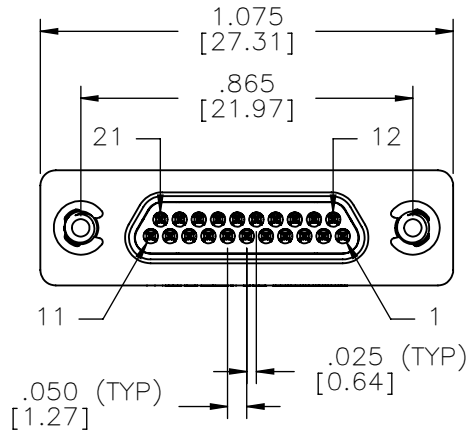
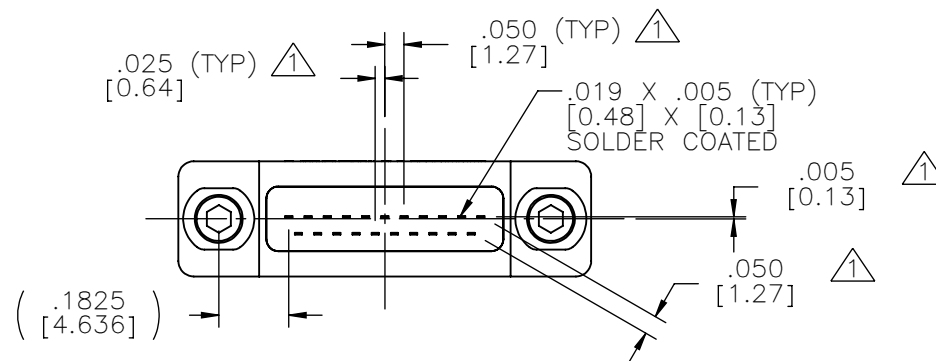
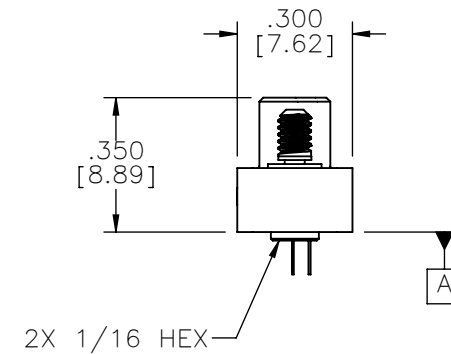
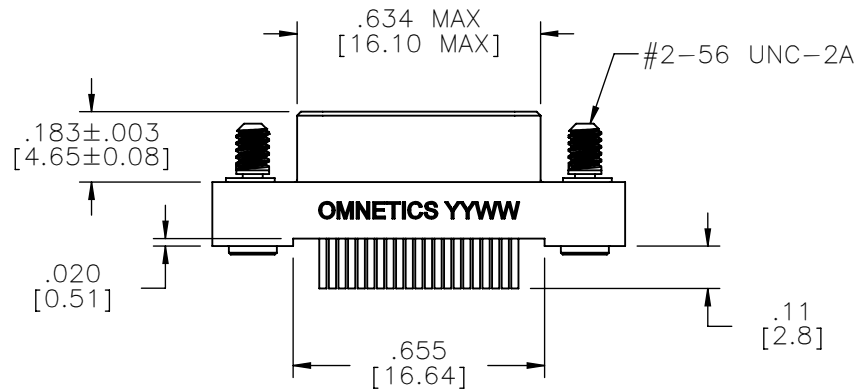


PART NO.	A98061-021	REV	ECO	DATE	APP
		C	104699	08-01-18	TLM



ACTUAL SIZE



NOTE:
DIMENSIONS IN [] ARE IN MILLIMETERS UNLESS OTHERWISE NOTED AND ARE FOR REFERENCE ONLY

△ TAIL DIMENSIONS APPLY AT PLANE A

MFG	THIRD ANGLE
	-TOLERANCES-
MFG	UNLESS OTHERWISE NOTED
	DIMENSIONS IN INCHES
	2 PL DEC ± .01
	3 PL DEC ± .005
	4 PL DEC ± .0005
	ANGLES ± 1°

THIS DRAWING CONTAINS CONFIDENTIAL AND PROPRIETARY INFORMATION WHICH IS THE PROPERTY OF OMNETICS CONNECTOR CORP. THIS DOCUMENT MAY NOT, IN WHOLE OR IN PART, BE DUPLICATED, OR DISCLOSED FOR ANY PURPOSE, WITHOUT WRITTEN PERMISSION FROM OMNETICS CONNECTOR CORP.

DFTM. BCV	DATE
01-23-15	
CHK'D.	DATE
APP'D.	DATE

TITLE:
(21) PIN MALE
STRAIGHT BOARD MOUNT
MICRO-D CONNECTOR

OMNETICS
CONNECTOR CORPORATION
7260 COMMERCE CIRCLE EAST
MINNEAPOLIS, MN 55432
WWW.OMNETICS.COM

CAGE CODE	61873
DWG NO.	A98061-021
SHEET 1 OF 2	REV C
SCALE:	2:1

PART NO.	A98061-021	REV	ECO	DATE	APP
		C	104699	08-01-18	TLM

MATERIALS

HOUSING:

ALUMINUM 6061, NICKEL PLATE
(500 MICROINCHES MINIMUM)
PER SAE-AMS-2404

INSULATOR:

LIQUID CRYSTAL POLYMER
(LCP) PER ASTM D5138

CONTACT:

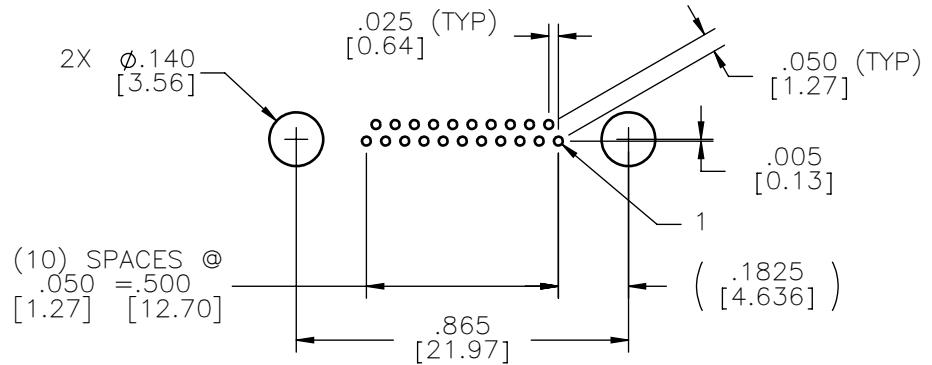
BERYLLIUM COPPER PER ASTM
B194, C17200, GOLD PLATED
PER ASTM B488, (HARD GOLD)
TYPE II CODE C, CLASS 1.27

TERMINATION:

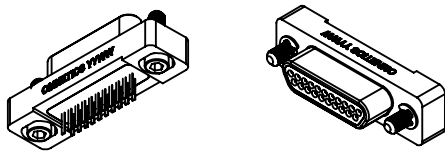
SOLDER COATED WITH SN63A
PER J-STD-006 OR AMS-P-
81728

HARDWARE:

STAINLESS STEEL, PASSIVATED
PER SAE-AMS-2700



SUGGESTED HOLE PATTERN



ACTUAL SIZE

NOTE:

DIMENSIONS IN [] ARE IN MILLIMETERS UNLESS OTHERWISE NOTED AND ARE FOR REFERENCE ONLY

MTC	THIRD ANGLE
	UNLESS OTHERWISE NOTED
S/DW	DIMENSIONS IN INCHES
	2 PL DEC ± .01
	3 PL DEC ± .005
	4 PL DEC ± .0005
	ANGLES ± 1°

THIS DRAWING CONTAINS CONFIDENTIAL AND PROPRIETARY INFORMATION WHICH IS THE PROPERTY OF OMNETICS CONNECTOR CORP. THIS DOCUMENT MAY NOT, IN WHOLE OR IN PART, BE DUPLICATED, OR DISCLOSED FOR ANY PURPOSE, WITHOUT WRITTEN PERMISSION FROM OMNETICS CONNECTOR CORP.

DFTM.	BCV	DATE	01-23-15
CHK'D.		DATE	
APP'D.		DATE	

TITLE:
(21) PIN MALE
STRAIGHT BOARD MOUNT
MICRO-D CONNECTOR

OMNETICS
CONNECTOR CORPORATION
7260 COMMERCE CIRCLE EAST
MINNEAPOLIS, MN 55432
WWW.OMNETICS.COM

CAGE CODE 61873	
DWG NO. A98061-021	
SHEET 2 OF 2	REV C
SCALE: 2:1	