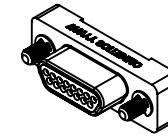
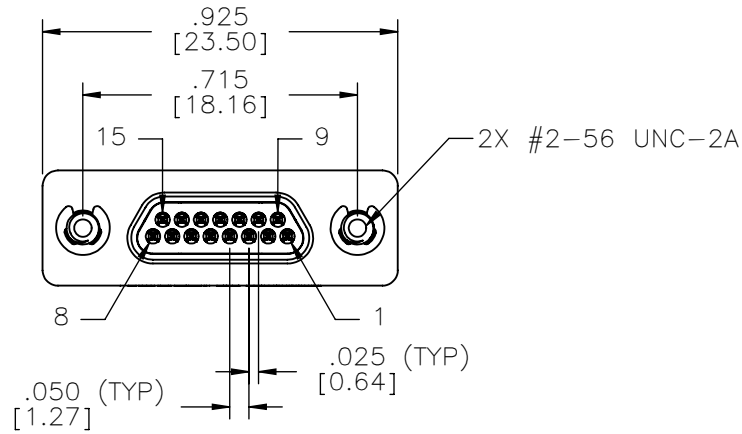
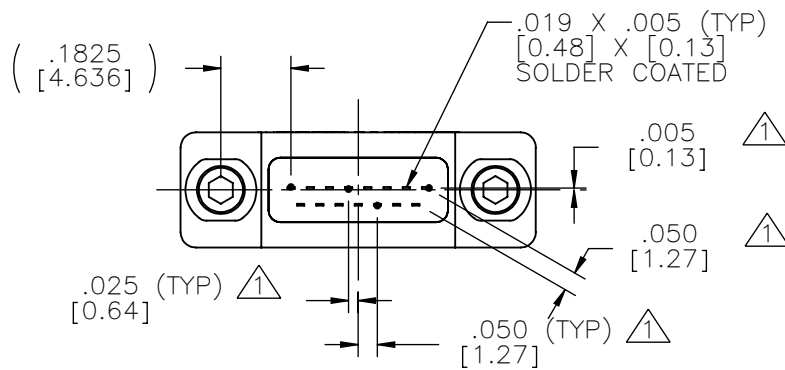
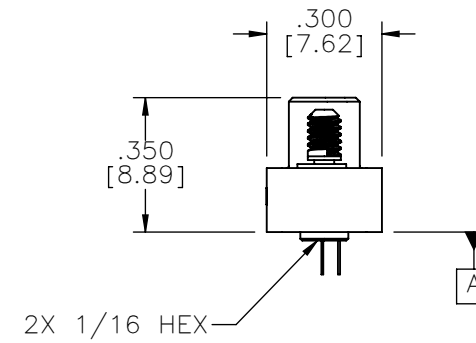
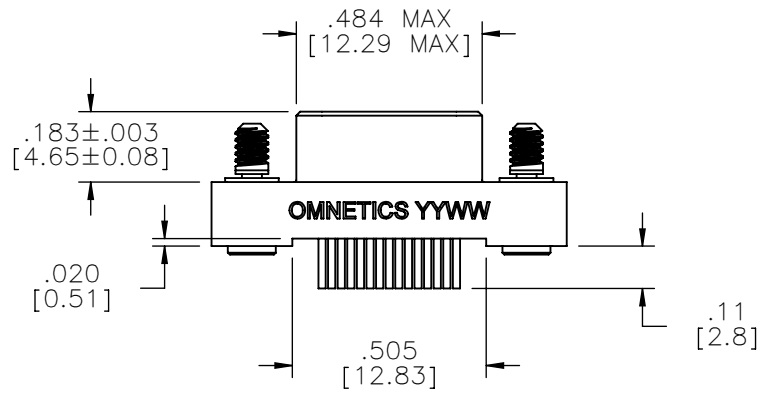


PART NO.	A98061-015	REV	ECO	DATE	APP
		C	104699	08-01-18	TLM



ACTUAL SIZE



NOTE:

DIMENSIONS IN [] ARE IN MILLIMETERS UNLESS OTHERWISE NOTED AND ARE FOR REFERENCE ONLY

TAIL DIMENSIONS APPLY AT PLANE **A**

MFG'D	THIRD ANGLE	THIS DRAWING CONTAINS CONFIDENTIAL AND PROPRIETARY INFORMATION WHICH IS THE PROPERTY OF OMNETICS CONNECTOR CORP. THIS DOCUMENT MAY NOT, IN WHOLE OR IN PART, BE DUPLICATED, OR DISCLOSED FOR ANY PURPOSE, WITHOUT WRITTEN PERMISSION FROM OMNETICS CONNECTOR CORP.	
	-TOLERANCES-	DFTM. TLM	DATE 07-26-14
	UNLESS OTHERWISE NOTED	CHK'D.	DATE
	DIMENSIONS IN INCHES	APP'D.	DATE
2 PL DEC±.01	TITLE: (15) PIN MALE STRAIGHT BOARD MOUNT MICRO-D CONNECTOR		CAGE CODE 61873
3 PL DEC±.005			
4 PL DEC±.0005			DWG NO. A98061-015
ANGLES ± 1°			SHEET 1 OF 2

OMNETICS
CONNECTOR CORPORATION
 7260 COMMERCE CIRCLE EAST
 MINNEAPOLIS, MN 55432
 WWW.OMNETICS.COM

CAGE CODE 61873	REV C
DWG NO. A98061-015	SCALE: 2:1
SHEET 1 OF 2	

PART NO.	A98061-015	REV	ECO	DATE	APP
		C	104699	08-01-18	TLM

MATERIALS

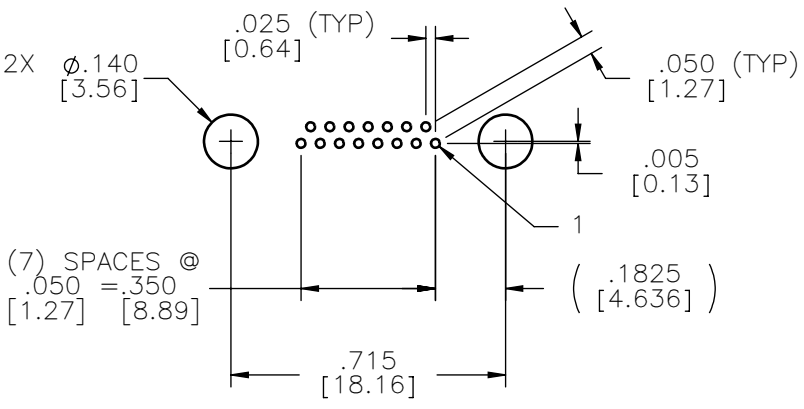
HOUSING:
ALUMINUM 6061, NICKEL PLATE
(500 MICROINCHES MINIMUM)
PER SAE-AMS-2404

INSULATOR:
LIQUID CRYSTAL POLYMER
(LCP) PER ASTM D5138

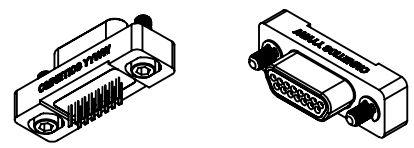
CONTACT:
BERYLLIUM COPPER PER ASTM
B194, C17200, GOLD PLATED
PER ASTM B488, (HARD GOLD)
TYPE II CODE C, CLASS 1.27

TERMINATION:
SOLDER COATED WITH SN63A
PER J-STD-006 OR AMS-P-
81728

HARDWARE:
STAINLESS STEEL, PASSIVATED
PER SAE-AMS-2700



SUGGESTED HOLE PATTERN



ACTUAL SIZE

NOTE:
DIMENSIONS IN [] ARE IN
MILLIMETERS UNLESS
OTHERWISE NOTED AND ARE
FOR REFERENCE ONLY

MGT'S	THIRD ANGLE	THIS DRAWING CONTAINS CONFIDENTIAL AND PROPRIETARY INFORMATION WHICH IS THE PROPERTY OF OMNETICS CONNECTOR CORP. THIS DOCUMENT MAY NOT, IN WHOLE OR IN PART, BE DUPLICATED, OR DISCLOSED FOR ANY PURPOSE, WITHOUT WRITTEN PERMISSION FROM OMNETICS CONNECTOR CORP.		OMNETICS CONNECTOR CORPORATION 7260 COMMERCE CIRCLE EAST MINNEAPOLIS, MN 55432 WWW.OMNETICS.COM	CAGE CODE 61873	
	-TOLERANCES-	DFTM. TLM	DATE 07-26-14		TITLE:	DWG NO.
	UNLESS OTHERWISE NOTED	CHK'D.	DATE		(15) PIN MALE	A98061-015
	DIMENSIONS IN INCHES	APP'D.	DATE		STRAIGHT BOARD MOUNT	SHEET 2 OF 2
2 PL DEC ± .01			MICRO-D CONNECTOR	REV		
3 PL DEC ± .005				C		
4 PL DEC ± .0005				SCALE: 2:1		
ANGLES ± 1°						