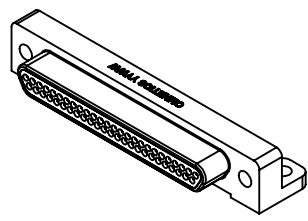
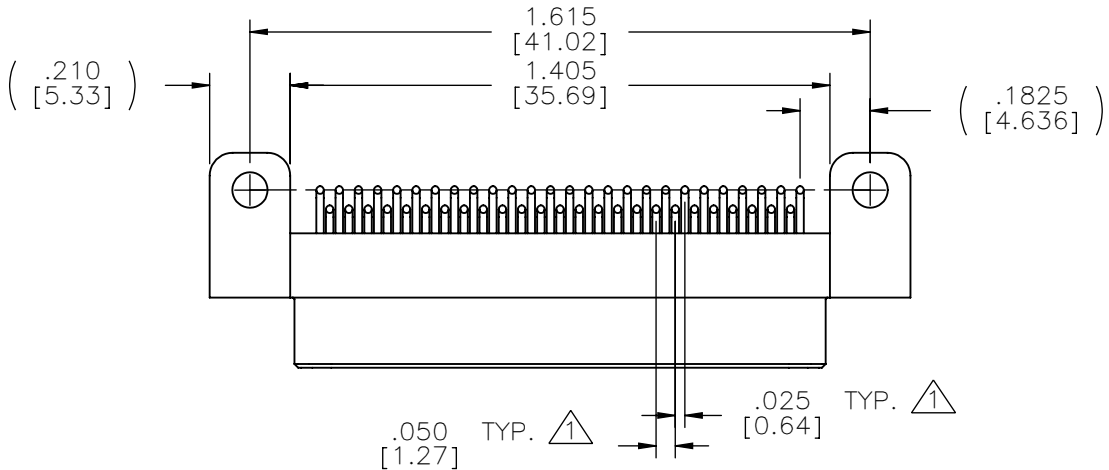
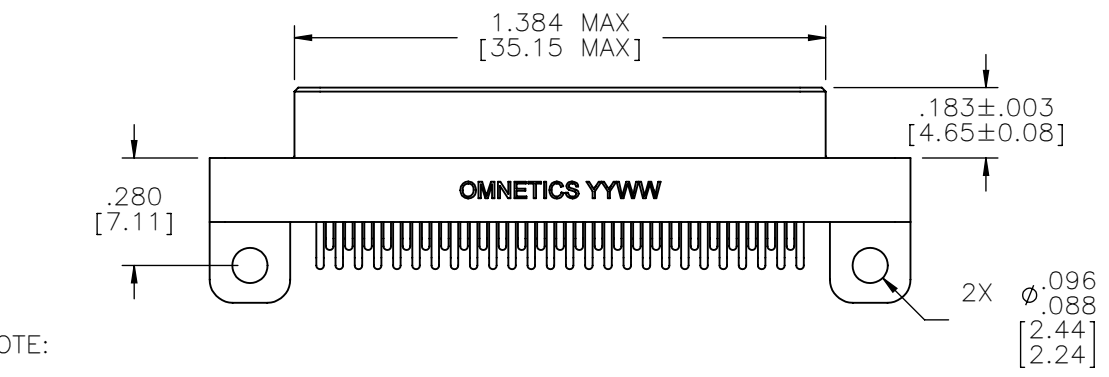
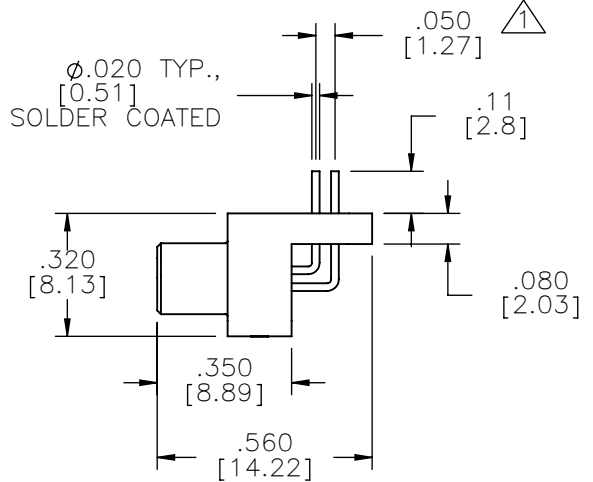
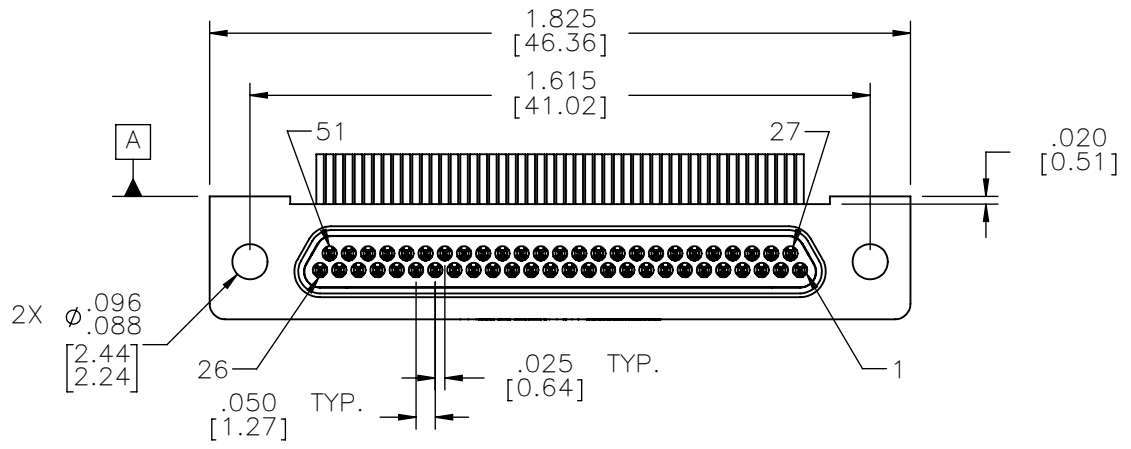


PART NO.	A98055-512	REV	ECO	DATE	APP
		B	101956	09-29-15	TLM



ACTUAL SIZE



NOTE:
DIMENSIONS IN [] ARE IN MILLIMETERS UNLESS OTHERWISE NOTED AND ARE FOR REFERENCE ONLY

▲ TAIL DIMENSIONS APPLY AT PLANE A

MGT'S	THIRD ANGLE	THIS DRAWING CONTAINS CONFIDENTIAL AND PROPRIETARY INFORMATION WHICH IS THE PROPERTY OF OMNETICS CONNECTOR CORP. THIS DOCUMENT MAY NOT, IN WHOLE OR IN PART, BE DUPLICATED, OR DISCLOSED FOR ANY PURPOSE, WITHOUT WRITTEN PERMISSION FROM OMNETICS CONNECTOR CORP.	DATE	TITLE:
	-TOLERANCES-		08-08-13	(51) PIN MALE
	UNLESS OTHERWISE NOTED		DATE	90° BOARD MOUNT
	DIMENSIONS IN INCHES		DATE	MICRO-D CONNECTOR
2 PL DEC±.01	DFTM. TLM	APP'D.	DATE	
3 PL DEC±.005	CHK'D.			
4 PL DEC±.0005				
ANGLES ± 1°				

OMNETICS CONNECTOR CORPORATION 7260 COMMERCE CIRCLE EAST MINNEAPOLIS, MN 55432 WWW.OMNETICS.COM	CAGE CODE 61873
	DWG NO. A98055-512
	SHEET 1 OF 2
	SCALE: 2:1
	REV B

PART NO.	A98055-512	REV	ECO	DATE	APP
		B	101956	09-29-15	TLM

MATERIALS

HOUSING:

ALUMINUM 6061-T6, NICKEL
PLATE PER SAE-AMS-2404

INSULATOR:

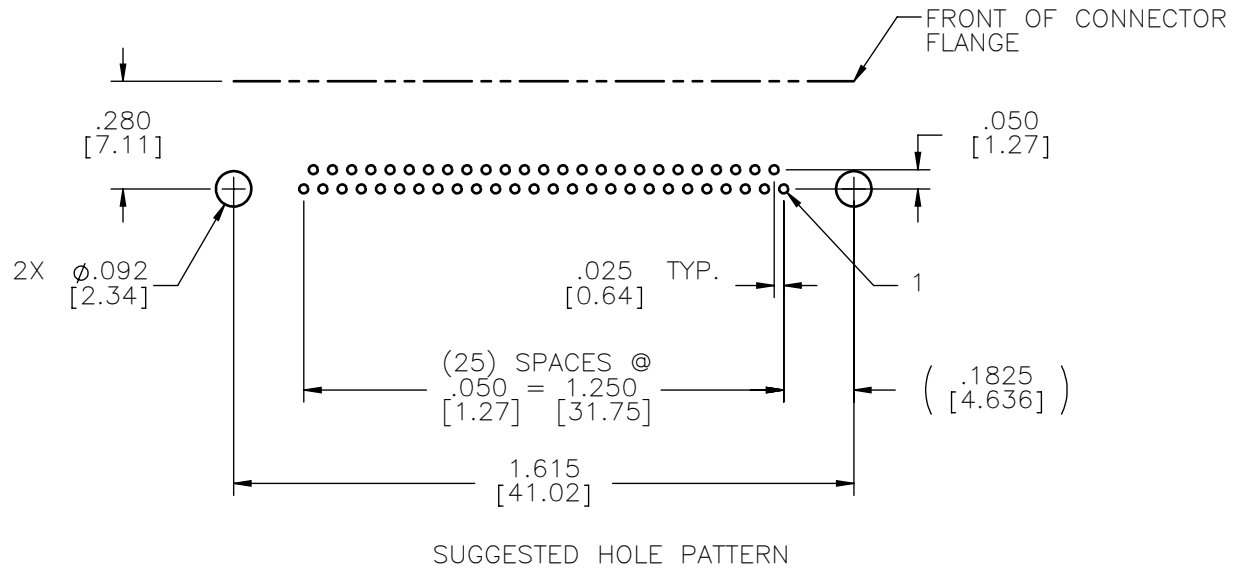
LIQUID CRYSTAL POLYMER (LCP)
PER ASTM D5138

CONTACT:

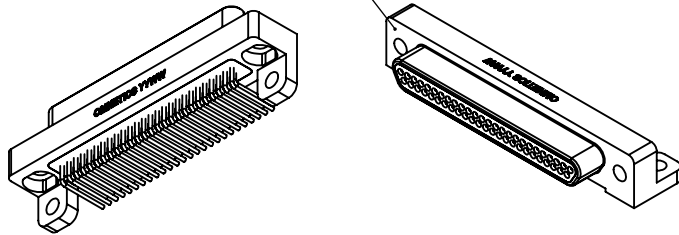
BERYLLIUM COPPER PER ASTM
B194, C17200, GOLD PLATED
PER ASTM B488, (HARD GOLD)
TYPE II CODE C, CLASS 1.27

TERMINATION:

SOLDER COATED WITH SN63A
PER J-STD-006 OR AMS-P-
81728



FRONT OF CONNECTOR
FLANGE



ACTUAL SIZE

NOTE:

DIMENSIONS IN [] ARE IN
MILLIMETERS UNLESS
OTHERWISE NOTED AND ARE
FOR REFERENCE ONLY

MATERIALS	THIRD ANGLE
	UNLESS OTHERWISE NOTED
DIMENSIONS IN INCHES	2 PL DEC ± .01
	3 PL DEC ± .005
	4 PL DEC ± .0005
	ANGLES ± 1°

THIS DRAWING CONTAINS CONFIDENTIAL AND PROPRIETARY INFORMATION WHICH IS THE PROPERTY OF OMNETICS CONNECTOR CORP. THIS DOCUMENT MAY NOT, IN WHOLE OR IN PART, BE DUPLICATED, OR DISCLOSED FOR ANY PURPOSE, WITHOUT WRITTEN PERMISSION FROM OMNETICS CONNECTOR CORP.	
DFTM. TLM	DATE 08-08-13
CHK'D.	DATE
APP'D.	DATE

TITLE:
(51) PIN MALE
90° BOARD MOUNT
MICRO-D CONNECTOR

OMNETICS
CONNECTOR CORPORATION
7260 COMMERCE CIRCLE EAST
MINNEAPOLIS, MN 55432
WWW.OMNETICS.COM

CAGE CODE 61873	
DWG NO. A98055-512	
SHEET 2 OF 2	REV B
SCALE: 2:1	