

MATERIALS

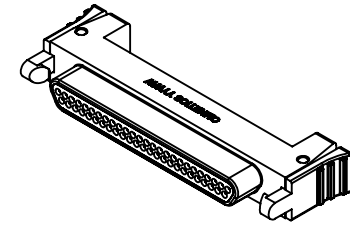
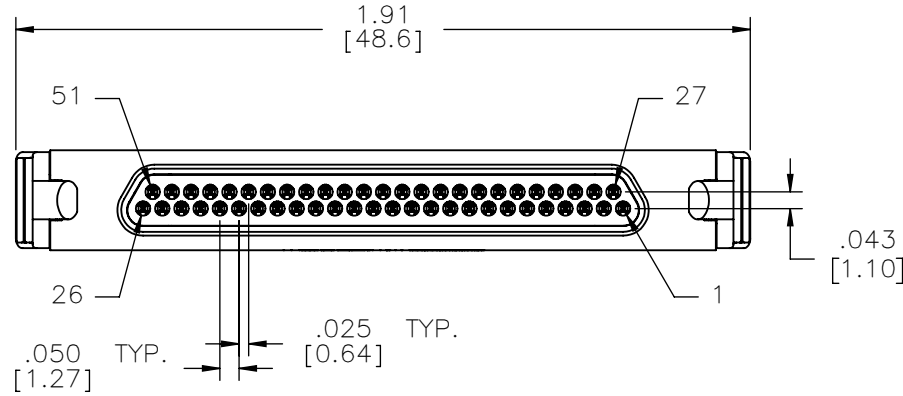
HOUSING:  
ALUMINUM 6061-T6, NICKEL  
PLATE PER SAE-AMS-2404

LATCH:  
STAINLESS STEEL, NICKEL  
PLATE PER SAE-AMS-2404

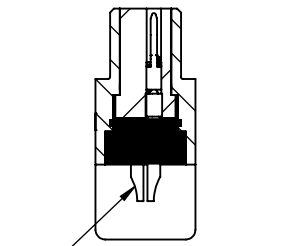
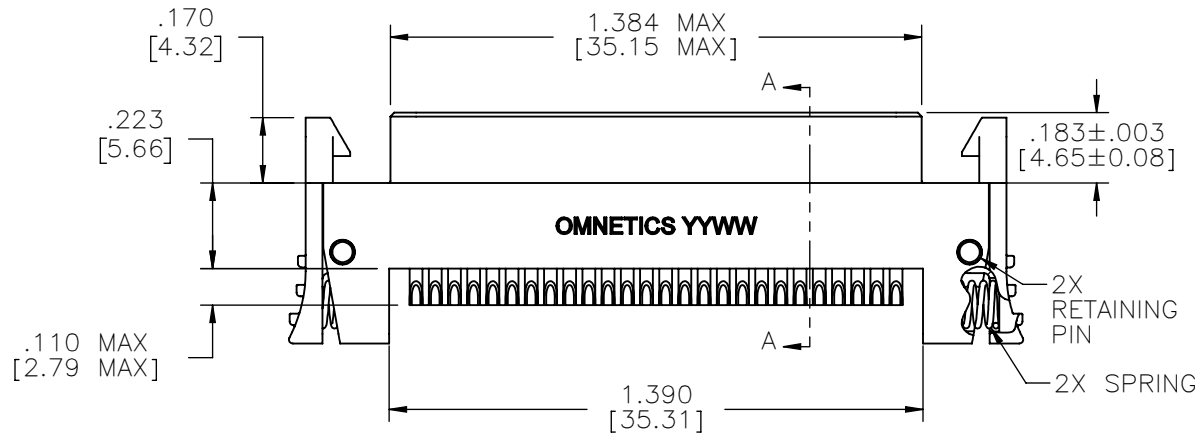
INSULATOR:  
LIQUID CRYSTAL POLYMER  
(LCP) PER ASTM D5138

CONTACT:  
BERYLLIUM COPPER PER ASTM  
B194, C17200 AND COPPER  
ALLOY PER MIL-DTL-83513,  
GOLD PLATED PER ASTM B488,  
(HARD GOLD) TYPE II CODE C,  
CLASS 1.27

PART NO.	A98027-512	REV	ECO	DATE	APP
		C	100383	03-19-14	TLM



ACTUAL SIZE



NOTE ORIENTATION  
SECTION A-A

**RoHS**

NOTE:  
DIMENSIONS IN [ ] ARE IN  
MILLIMETERS UNLESS  
OTHERWISE NOTED AND ARE  
FOR REFERENCE ONLY

MGT'S	THIRD ANGLE
	-TOLERANCES-
	UNLESS OTHERWISE NOTED
	DIMENSIONS IN INCHES
2	PL DEC±.01
3	PL DEC±.005
4	PL DEC±.0005
	ANGLES ± 1°

THIS DRAWING CONTAINS CONFIDENTIAL AND PROPRIETARY INFORMATION WHICH IS THE PROPERTY OF OMNETICS CONNECTOR CORP. THIS DOCUMENT MAY NOT, IN WHOLE OR IN PART, BE DUPLICATED, OR DISCLOSED FOR ANY PURPOSE, WITHOUT WRITTEN PERMISSION FROM OMNETICS CONNECTOR CORP.

DFTM.	JPF	DATE	08-26-11
CHK'D.		DATE	
APP'D.		DATE	

TITLE:  
(51) PIN MALE  
MICRO-D CONNECTOR

**OMNETICS**  
CONNECTOR CORPORATION  
7260 COMMERCE CIRCLE EAST  
MINNEAPOLIS, MN 55432  
WWW.OMNETICS.COM

CAGE CODE 61873	
DWG NO. A98027-512	
SHEET 1 OF 1	REV C
SCALE: 2:1	