

MATERIALS

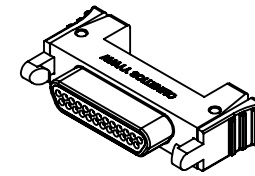
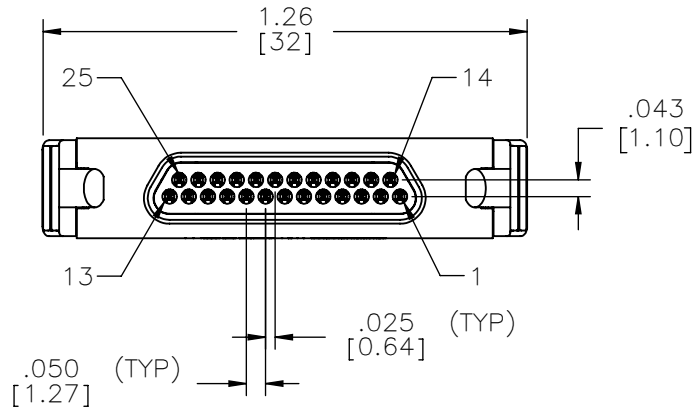
HOUSING:
ALUMINUM 6061-T6, NICKEL
PLATE PER SAE-AMS-2404

LATCH:
STAINLESS STEEL, NICKEL
PLATE PER SAE-AMS-2404

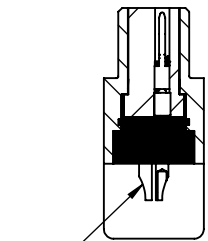
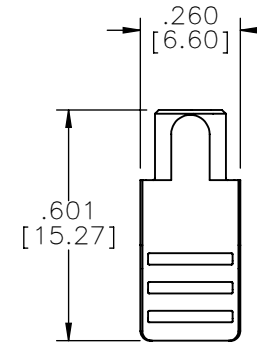
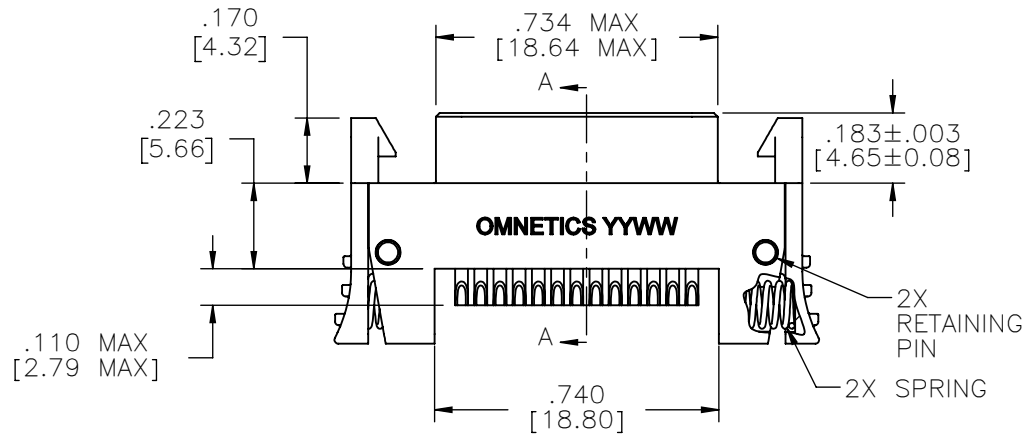
INSULATOR:
LIQUID CRYSTAL POLYMER
(LCP) PER ASTM D5138

CONTACT:
BERYLLIUM COPPER PER ASTM
B194, C17200 AND COPPER
ALLOY PER MIL-DTL-83513,
GOLD PLATED PER ASTM B488,
(HARD GOLD) TYPE II CODE C,
CLASS 1.27

PART NO.	A98027-025	REV	ECO	DATE	APP
		C	100383	03-19-14	TLM



ACTUAL SIZE



NOTE ORIENTATION

SECTION A-A

RoHS

NOTE:
DIMENSIONS IN [] ARE IN
MILLIMETERS UNLESS
OTHERWISE NOTED AND ARE
FOR REFERENCE ONLY

THIRD ANGLE	UNLESS OTHERWISE NOTED
DIMENSIONS IN INCHES	
2 PL DEC±.01	
3 PL DEC±.005	
4 PL DEC±.0005	
ANGLES ± 1°	

THIS DRAWING CONTAINS CONFIDENTIAL AND PROPRIETARY INFORMATION WHICH IS THE PROPERTY OF OMNETICS CONNECTOR CORP. THIS DOCUMENT MAY NOT, IN WHOLE OR IN PART, BE DUPLICATED, OR DISCLOSED FOR ANY PURPOSE, WITHOUT WRITTEN PERMISSION FROM OMNETICS CONNECTOR CORP.

DFTM. DGJ	DATE
CHK'D.	DATE
APP'D.	DATE

TITLE:
(25) PIN MALE
LATCHING MICRO-D
CONNECTOR

OMNETICS
CONNECTOR CORPORATION
7260 COMMERCE CIRCLE EAST
MINNEAPOLIS, MN 55432
WWW.OMNETICS.COM

CAGE CODE	61873
DWG NO.	A98027-025
SHEET 1 OF 1	REV C
SCALE:	2:1