

MATERIALS

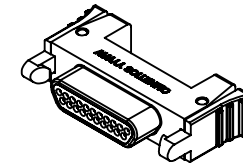
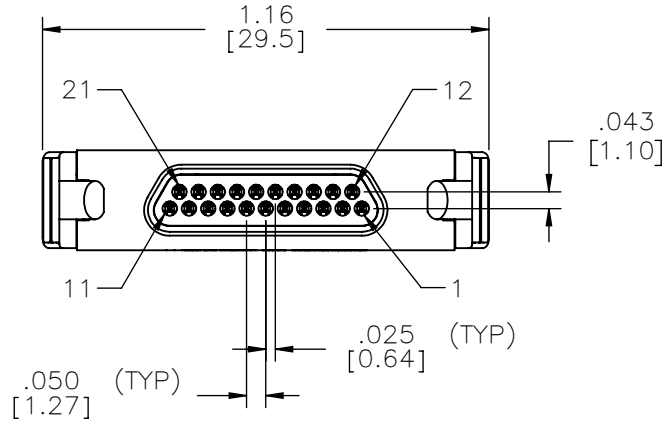
HOUSING:
ALUMINUM 6061-T6, NICKEL
PLATE PER SAE-AMS-2404

LATCH:
STAINLESS STEEL, NICKEL
PLATE PER SAE-AMS-2404

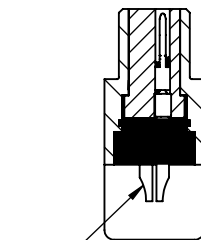
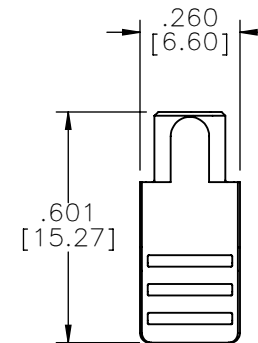
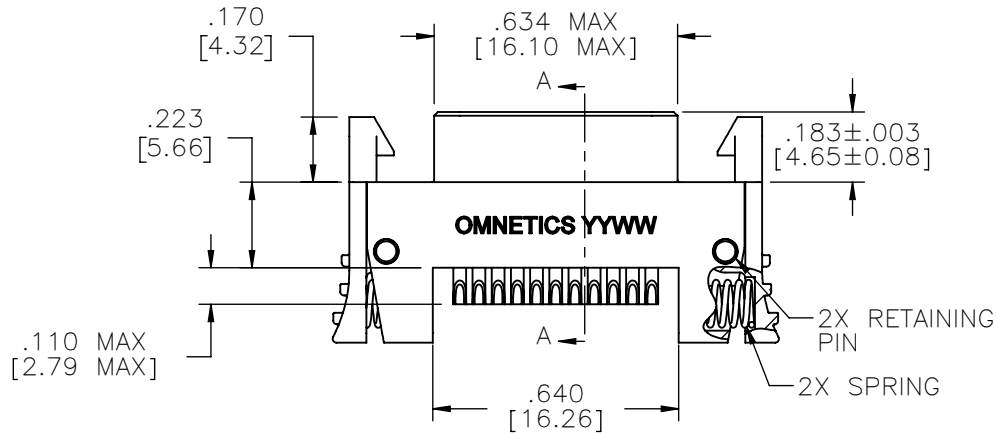
INSULATOR:
LIQUID CRYSTAL POLYMER
(LCP) PER ASTM D5138

CONTACT:
BERYLLIUM COPPER PER ASTM
B194, C17200 AND COPPER
ALLOY PER MIL-DTL-83513,
GOLD PLATED PER ASTM B488,
(HARD GOLD) TYPE II CODE C,
CLASS 1.27

PART NO.	A98027-021	REV	ECO	DATE	APP
		B	100383	03-19-14	TLM



ACTUAL SIZE



NOTE ORIENTATION

SECTION A-A

RoHS

NOTE:
DIMENSIONS IN [] ARE IN
MILLIMETERS UNLESS
OTHERWISE NOTED AND ARE
FOR REFERENCE ONLY

MCTS SLD	THIRD ANGLE
	-TOLERANCES-
	UNLESS OTHERWISE NOTED
	DIMENSIONS IN INCHES
2	PL DEC ± .01
3	PL DEC ± .005
4	PL DEC ± .0005
	ANGLES ± 1°

THIS DRAWING CONTAINS CONFIDENTIAL AND PROPRIETARY INFORMATION WHICH IS THE PROPERTY OF OMNETICS CONNECTOR CORP. THIS DOCUMENT MAY NOT, IN WHOLE OR IN PART, BE DUPLICATED, OR DISCLOSED FOR ANY PURPOSE, WITHOUT WRITTEN PERMISSION FROM OMNETICS CONNECTOR CORP.

DFTM.	TLM	DATE	04-22-13
CHK'D.		DATE	
APP'D.		DATE	

TITLE:
(21) PIN MALE
LATCHING MICRO-D
CONNECTOR

OMNETICS
CONNECTOR CORPORATION
7260 COMMERCE CIRCLE EAST
MINNEAPOLIS, MN 55432
WWW.OMNETICS.COM

CAGE CODE	61873
DWG NO.	A98027-021
SHEET 1 OF 1	REV B
SCALE:	2:1