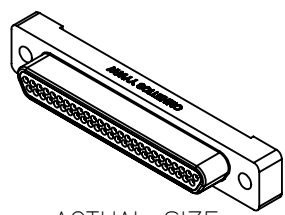
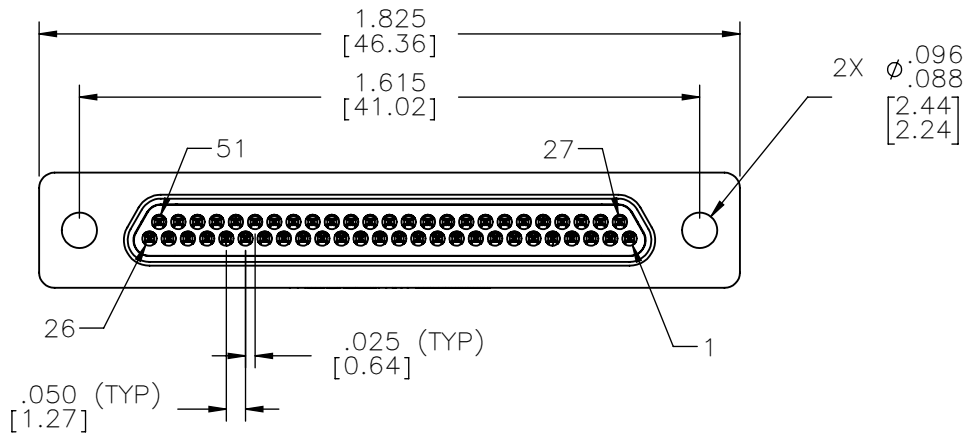
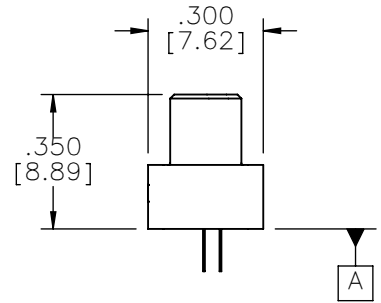
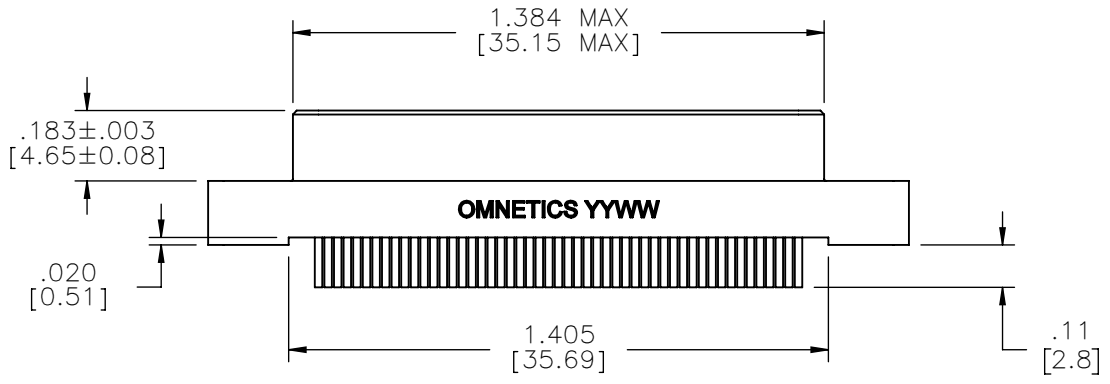


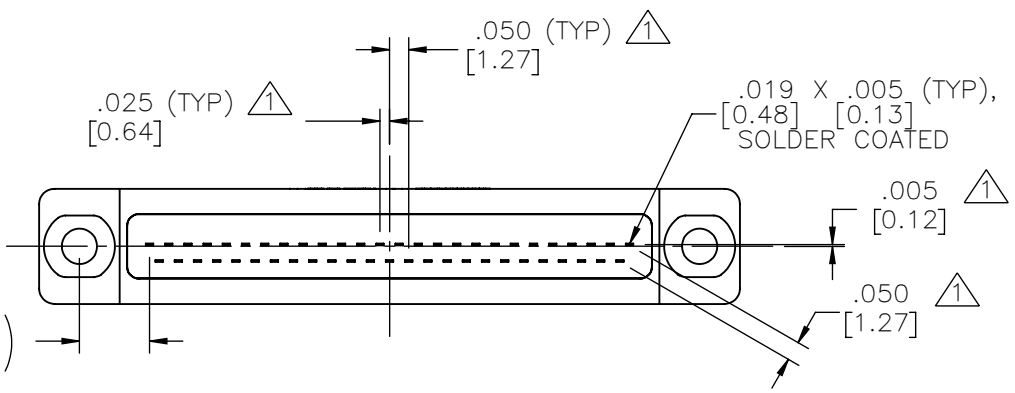
PART NO.	A98022-512	REV	ECO	DATE	APP
		B	104614	07-06-18	TLM



ACTUAL SIZE



A



NOTES:
 DIMENSIONS IN [] ARE IN MILLIMETERS UNLESS OTHERWISE NOTED AND ARE FOR REFERENCE ONLY

▲ TAIL DIMENSIONS APPLY AT PLANE A

MDCS	CJMW	THIRD ANGLE
		-TOLERANCES-
		UNLESS OTHERWISE NOTED
		DIMENSIONS IN INCHES

THIS DRAWING CONTAINS CONFIDENTIAL AND PROPRIETARY INFORMATION WHICH IS THE PROPERTY OF OMNETICS CONNECTOR CORP. THIS DOCUMENT MAY NOT, IN WHOLE OR IN PART, BE DUPLICATED, OR DISCLOSED FOR ANY PURPOSE, WITHOUT WRITTEN PERMISSION FROM OMNETICS CONNECTOR CORP.	
DFTM. JMJ	DATE 01-25-13
CHK'D.	DATE
APP'D.	DATE

TITLE:
 (51) PIN MALE
 STRAIGHT BOARD MOUNT
 MICRO-D CONNECTOR

OMNETICS
 CONNECTOR CORPORATION
 7260 COMMERCE CIRCLE EAST
 MINNEAPOLIS, MN 55432
 WWW.OMNETICS.COM

CAGE CODE 61873	
DWG NO. A98022-512	
SHEET 1 OF 2	REV B
SCALE: 2:1	

