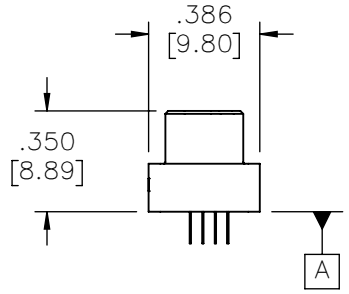
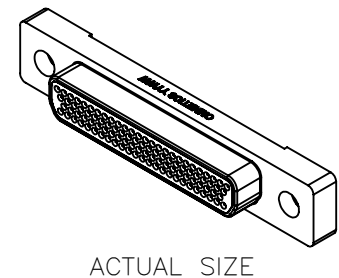
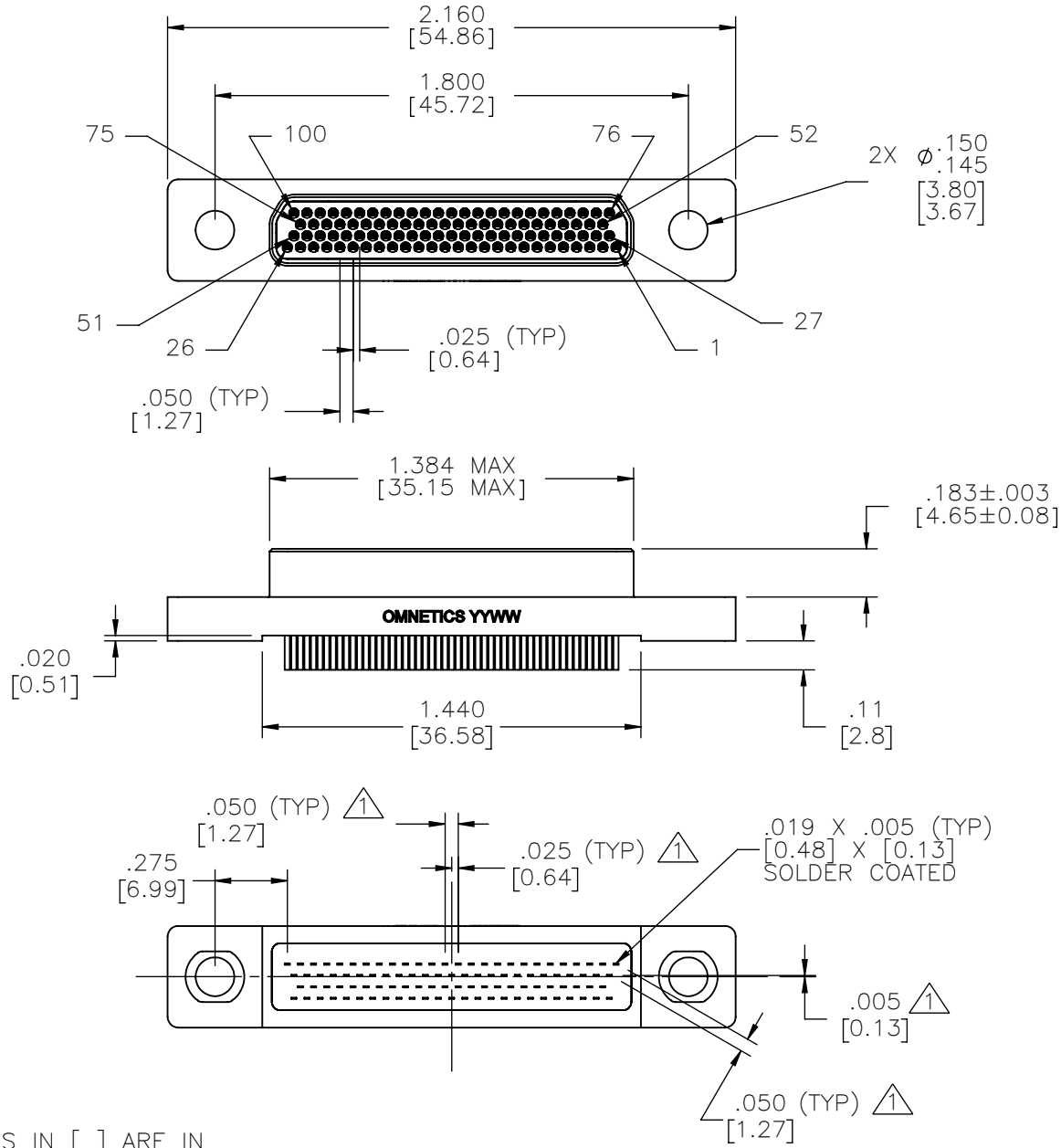


PART NO.	A98022-100	REV	ECO	DATE	APP
		B	106307	04-01-2020	TLM



NOTES:
 DIMENSIONS IN [] ARE IN MILLIMETERS UNLESS OTHERWISE NOTED AND ARE FOR REFERENCE ONLY

△ TAIL DIMENSIONS APPLY AT PLANE A

MFG C MFG	THIRD ANGLE	THIS DRAWING CONTAINS CONFIDENTIAL AND PROPRIETARY INFORMATION WHICH IS THE PROPERTY OF OMNETICS CONNECTOR CORP. THIS DOCUMENT MAY NOT, IN WHOLE OR IN PART, BE DUPLICATED, OR DISCLOSED FOR ANY PURPOSE, WITHOUT WRITTEN PERMISSION FROM OMNETICS CONNECTOR CORP.	DATE	TITLE: (100) PIN MALE MICRO-D CONNECTOR
	-TOLERANCES-		07-11-18	
	UNLESS OTHERWISE NOTED		DATE	
	DIMENSIONS IN INCHES		DATE	
	2 PL DEC ± .01	DFTM. TLM		
	3 PL DEC ± .005	CHK'D.		
	4 PL DEC ± .0005	APP'D.		
	ANGLES ± 1°			

OMNETICS CONNECTOR CORPORATION 7260 COMMERCE CIRCLE EAST MINNEAPOLIS, MN 55432 WWW.OMNETICS.COM	CAGE CODE 61873
	DWG NO. A98022-100
	SHEET 1 OF 2
	SCALE: 3:2
	REV B

PART NO.	A98022-100	REV	ECO	DATE	APP
		B	106307	04-01-2020	TLM

MATERIALS

HOUSING:

ALUMINUM 6061, NICKEL PLATE (500
MICROINCHES MINIMUM) PER SAE-AMS-2404

INSULATOR:

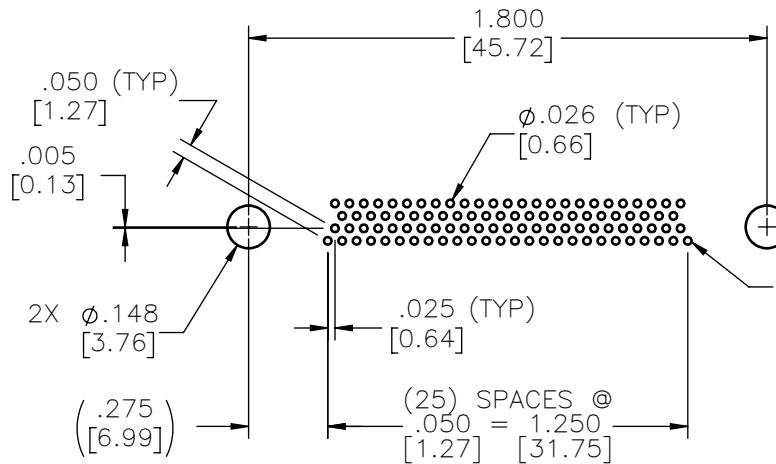
LIQUID CRYSTAL POLYMER (LCP) PER ASTM
D5138

CONTACT:

BERYLLIUM COPPER PER ASTM B194,
C17200, GOLD PLATED PER ASTM B488,
(HARD GOLD) TYPE II CODE C, CLASS 1.27
(CONTACT MATING AREA ONLY)

TERMINATION:

SOLDER COATED WITH SN63A PER J-STD-
006 OR AMS-P-81728



SUGGESTED HOLE PATTERN

NOTE:

DIMENSIONS IN [] ARE IN
MILLIMETERS UNLESS
OTHERWISE NOTED AND ARE
FOR REFERENCE ONLY

MMP S/DW	THIRD ANGLE	THIS DRAWING CONTAINS CONFIDENTIAL AND PROPRIETARY INFORMATION WHICH IS THE PROPERTY OF OMNETICS CONNECTOR CORP. THIS DOCUMENT MAY NOT, IN WHOLE OR IN PART, BE DUPLICATED, OR DISCLOSED FOR ANY PURPOSE, WITHOUT WRITTEN PERMISSION FROM OMNETICS CONNECTOR CORP.		OMNETICS CONNECTOR CORPORATION 7260 COMMERCE CIRCLE EAST MINNEAPOLIS, MN 55432 WWW.OMNETICS.COM	CAGE CODE 61873	
	-TOLERANCES- UNLESS OTHERWISE NOTED DIMENSIONS IN INCHES		DFTM. TLM DATE 07-11-18		TITLE: (100) PIN MALE MICRO-D CONNECTOR	DWG NO. A98022-100
	2 PL DEC ± .01	CHK'D.	DATE		SHEET 2 OF 2	REV B
	3 PL DEC ± .005	APP'D.	DATE		SCALE: 3:2	
	4 PL DEC ± .0005					
	ANGLES ± 1°					